



US00D993051S

(12) **United States Design Patent** (10) **Patent No.:** **US D993,051 S**
Ahn et al. (45) **Date of Patent:** **** Jul. 25, 2023**

(54) **SENSOR HOUSING**

- (71) Applicant: **Waymo LLC**, Mountain View, CA (US)
- (72) Inventors: **YooJung Ahn**, Mountain View, CA (US); **David Gordon Duff**, Portola Valley, CA (US); **Joshua Newby**, San Francisco, CA (US); **Paul Karplus**, Redwood City, CA (US); **Candace Marbury**, San Francisco, CA (US)
- (73) Assignee: **Waymo LLC**, Mountain View, CA (US)
- (**) Term: **15 Years**
- (21) Appl. No.: **29/823,685**
- (22) Filed: **Jan. 19, 2022**

Related U.S. Application Data

- (62) Division of application No. 29/699,959, filed on Jul. 30, 2019, now Pat. No. Des. 944,667.
- (51) **LOC (14) Cl.** **10-04**
- (52) **U.S. Cl.**
USPC **D10/70**; D12/190; D12/197
- (58) **Field of Classification Search**
USPC D10/70; D12/190, 197
CPC .. B60Q 1/0017; B60Q 1/0023; B60Q 1/0029;
B60Q 1/0035; B60Q 1/0041; B60Q 1/26;
B60Q 1/2603; B60Q 1/2607; B60Q
1/2611; B60Q 9/002; B60Q 9/003; B60Q
9/004; B60Q 9/006; B60Q 9/007; B60Q
9/008; B60R 1/10; B60R 1/12; B60R
2001/1284

See application file for complete search history.

(56) **References Cited**

U.S. PATENT DOCUMENTS

D834,971	S	*	12/2018	Ahn	D10/70
D850,303	S	*	6/2019	Wang	D10/70
D850,946	S	*	6/2019	Zhevelev	D10/70
D874,957	S	*	2/2020	Ahn	D10/70
D954,571	S	*	6/2022	Ahn	D10/70
D956,585	S	*	7/2022	Ahn	D10/70

* cited by examiner

Primary Examiner — Antoine Duval Davis

(74) *Attorney, Agent, or Firm* — Banner & Witcoff, Ltd.

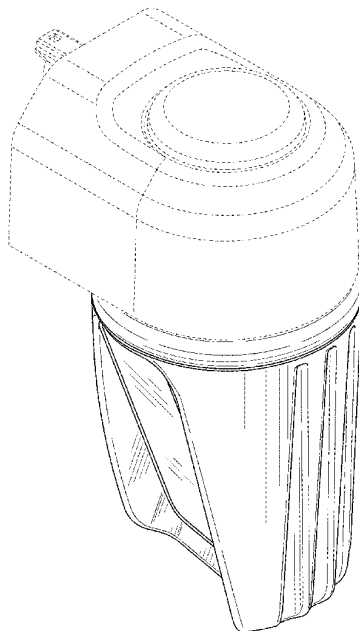
(57) **CLAIM**

The ornamental design for a sensor housing, as shown and described.

DESCRIPTION

FIG. 1 is a front perspective view of the claimed design for a sensor housing;
 FIG. 2 is a front view thereof;
 FIG. 3 is a rear view thereof;
 FIG. 4 is a left side view thereof;
 FIG. 5 is a right side view thereof;
 FIG. 6 is a top view thereof; and,
 FIG. 7 is a bottom view thereof.
 The broken lines showing the remainder of the sensor housing depict environmental structure and form no part of the claimed design.

1 Claim, 6 Drawing Sheets



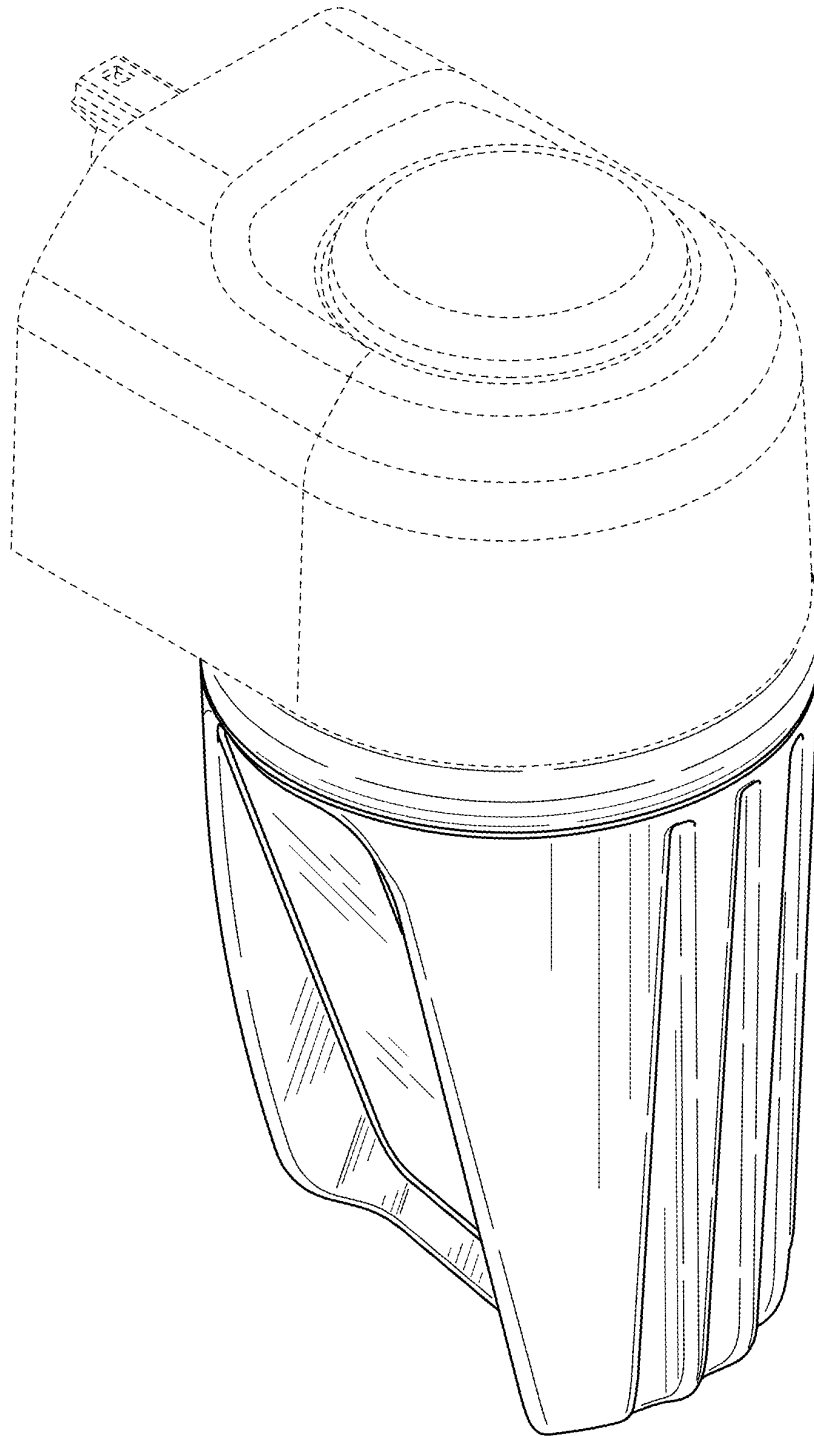


FIG. 1

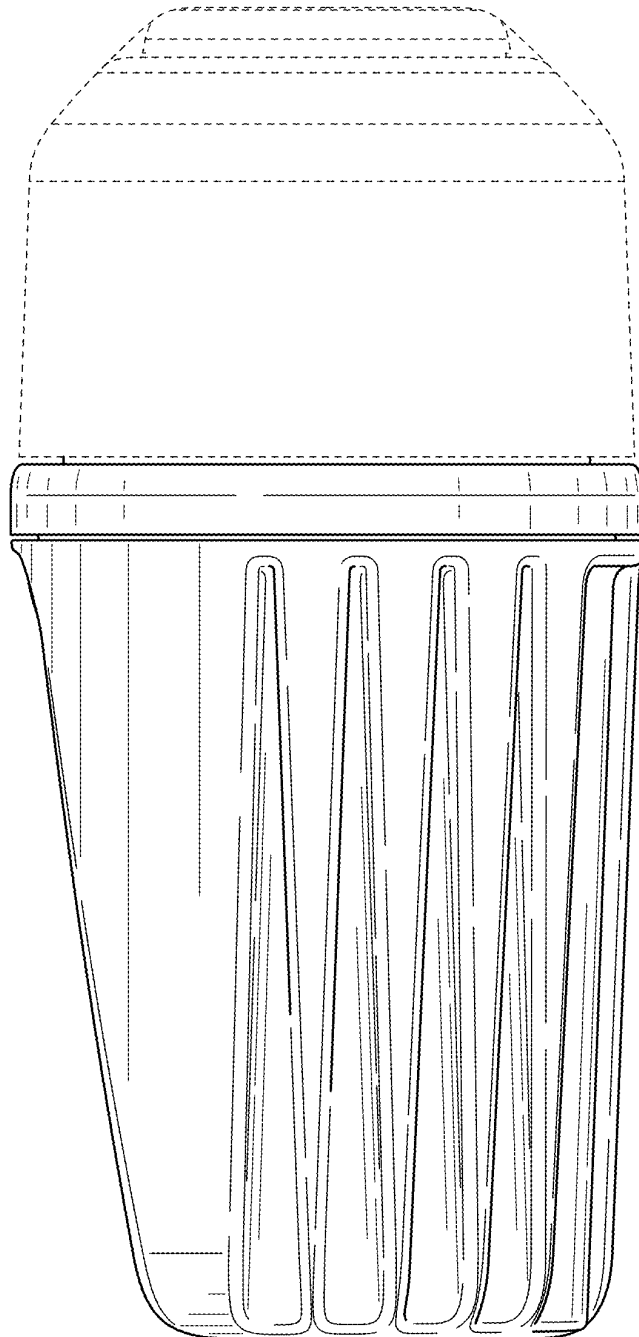


FIG. 2

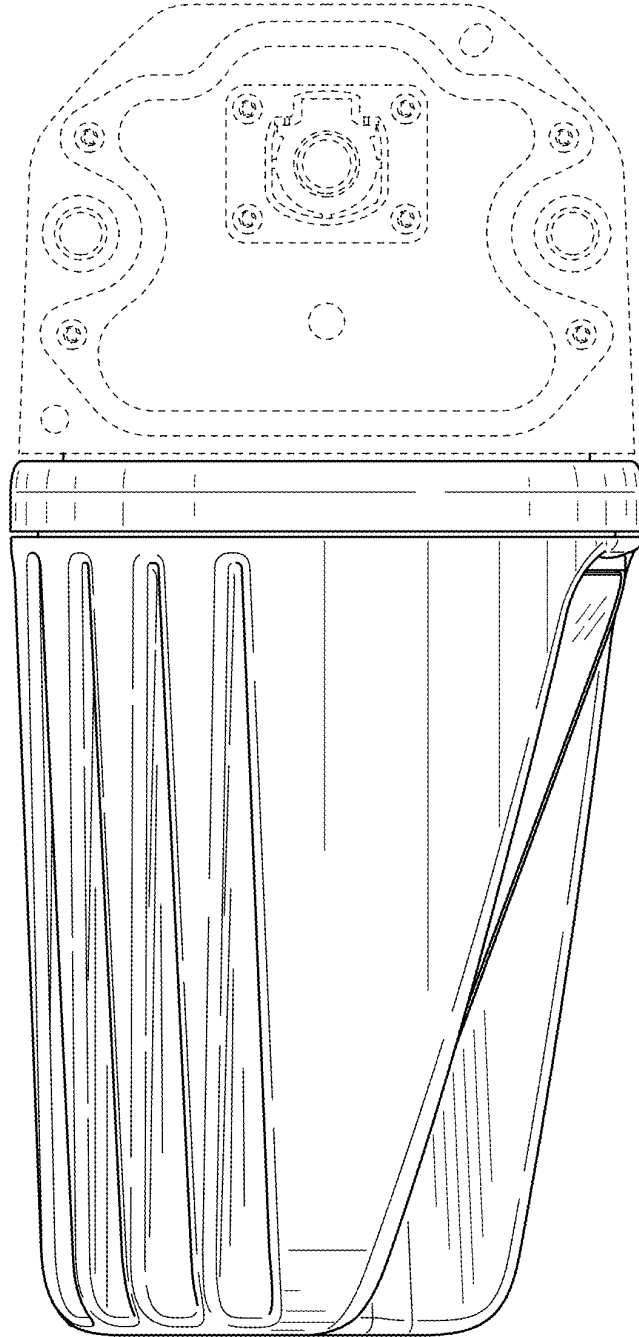


FIG. 3

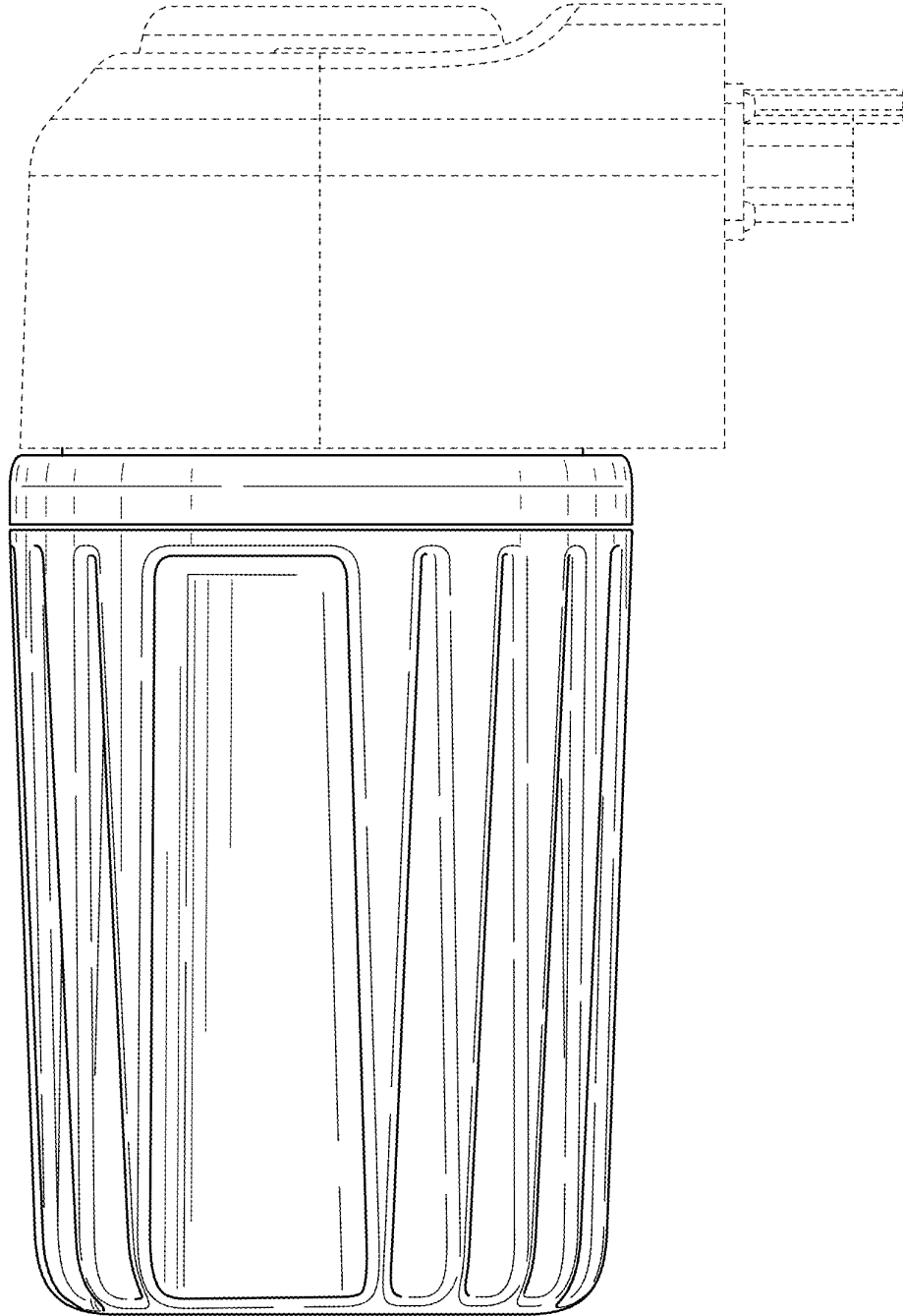


FIG. 4

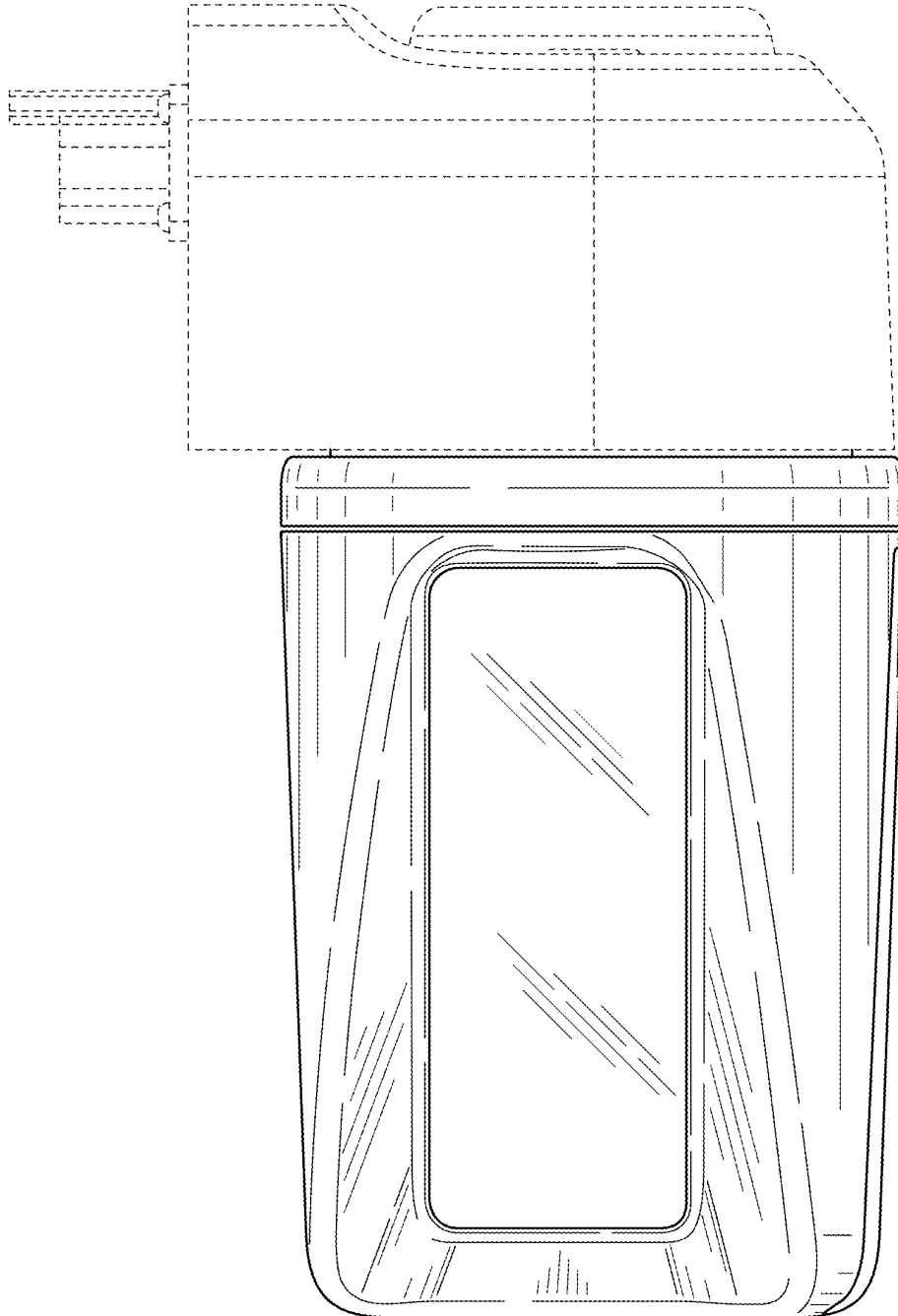


FIG. 5

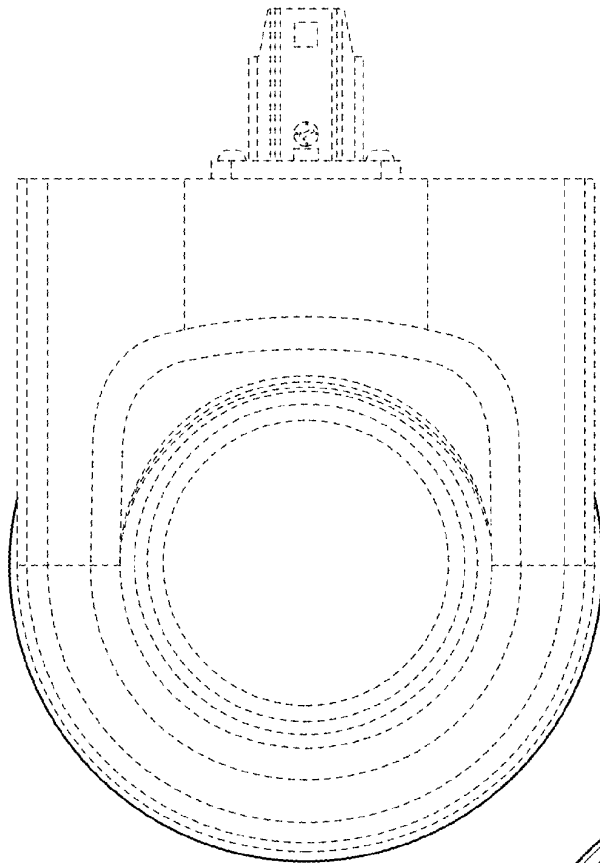


FIG. 6

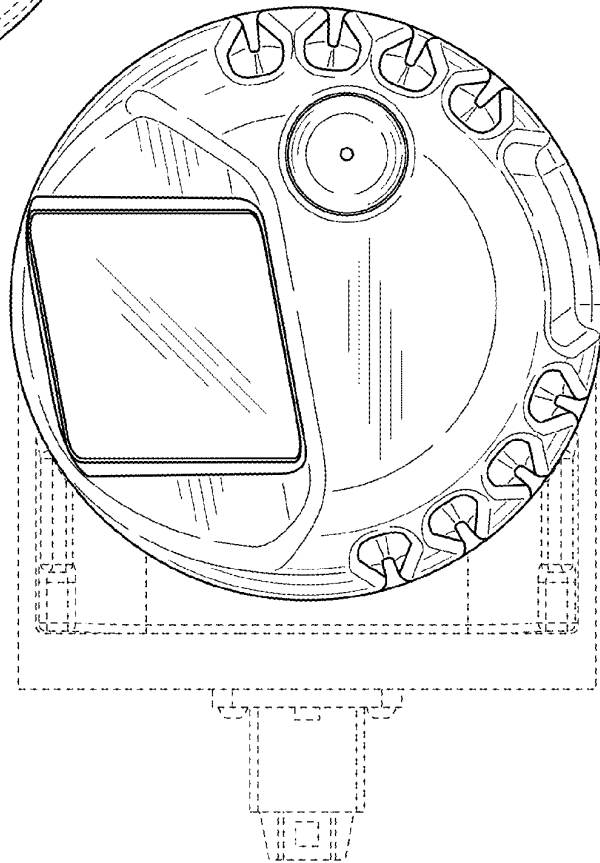


FIG. 7