

(12) **United States Design Patent** (10) **Patent No.:** **US D865,783 S**
Deng (45) **Date of Patent:** **** Nov. 5, 2019**

(54) **FLEXIBLE DISPLAY SCREEN WITH GRAPHICAL USER INTERFACE**
 (71) Applicant: **LENOVO (BEIJING) CO., LTD.**, Beijing (CN)
 (72) Inventor: **Yuanyuan Deng**, Beijing (CN)
 (73) Assignee: **Lenovo (Beijing) Co., Ltd.**, Beijing (CN)
 (**) Term: **15 Years**
 (21) Appl. No.: **29/626,056**
 (22) Filed: **Nov. 14, 2017**

Primary Examiner — Jack Reickel
 (74) *Attorney, Agent, or Firm* — Oppedahl Patent Law Firm LLC

(30) **Foreign Application Priority Data**

Jul. 19, 2017 (CN) 2017 3 0321087

(51) **LOC (12) Cl.** **14-04**

(52) **U.S. Cl.**
 USPC **D14/486**

(58) **Field of Classification Search**
 USPC D14/485–495; D11/3–4
 (Continued)

(56) **References Cited**

U.S. PATENT DOCUMENTS

7,724,508 B2* 5/2010 Bemelmans G06F 1/1615
 345/168
 8,275,420 B2* 9/2012 Lim H04M 1/0235
 455/566

(Continued)

OTHER PUBLICATIONS

“Flexible, high definition CAAC-OS displays from SEL #DigInfo”
 Nov. 1, 2013, YouTube, site visited Feb. 4, 2019: <https://www.youtube.com/watch?v=yTu9omph9U8>.*

(Continued)

(57) **CLAIM**

The ornamental design for a flexible display screen with graphical user interface, as shown and described.

DESCRIPTION

FIG. 1 is a front view of a first embodiment of my new design for a flexible display screen with graphical user interface.

FIG. 2 is a front view thereof shown in a bending position. FIG. 3 is a back view thereof shown in a bending position. FIG. 4 is a bottom view thereof shown in a bending position. FIG. 5 is a perspective view thereof shown in a bending position.

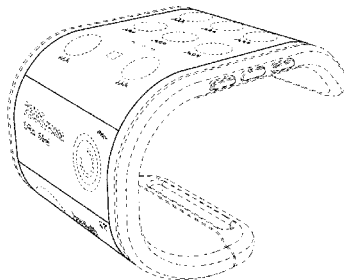
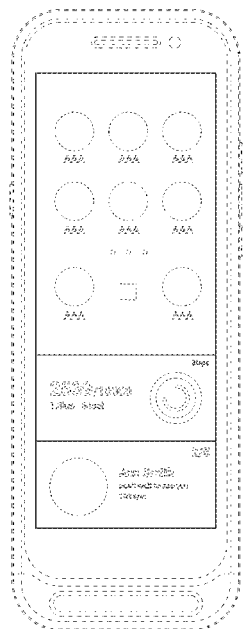
FIG. 6 is a front view of a second embodiment of my new design for a flexible display screen with graphical user interface.

FIG. 7 is a front view thereof shown in a bending position. FIG. 8 is a back view thereof shown in a bending position. FIG. 9 is a bottom view thereof shown in a bending position; and,

FIG. 10 is a perspective view thereof shown in a bending position.

The broken lines illustrating an electronic device illustrate portions of the article, and form no part of the claimed design. The broken line showing the flexible display screen and portions of the graphical user interface are included for the purpose of illustrating portions of the article and form no part of the claimed design.

1 Claim, 10 Drawing Sheets



(58) **Field of Classification Search**

CPC G06F 3/048; G06F 3/0481; G06F 3/04817;
 G06F 3/0482; G06F 3/0483; G06F
 3/04842; G06F 3/0485; G06F 3/04855;
 G06F 3/0486; G06F 3/0488; G06F
 3/04886; G06F 9/4443; G06F 17/211;
 G06F 17/212

See application file for complete search history.

(56) **References Cited**

U.S. PATENT DOCUMENTS

D729,087	S *	5/2015	Phillips	D10/103
9,104,376	B2 *	8/2015	Song	G06F 1/1652
D739,274	S *	9/2015	Chen	D10/70
9,120,290	B2 *	9/2015	Krall	B32B 3/28
D766,919	S *	9/2016	Patel	D14/485
D798,333	S *	9/2017	Dascola	D14/486
9,757,649	B2 *	9/2017	Townley	G06F 13/4027
D803,086	S *	11/2017	Gahunia	D11/3
D813,074	S *	3/2018	Bayley	D11/3
D838,733	S *	1/2019	Grossman	D14/486
2015/0304593	A1 *	10/2015	Sakai	G09G 5/14 348/565

OTHER PUBLICATIONS

“FlexEnable’s flexible display” Feb. 22, 2016, YouTube, site visited Feb. 4, 2019: <https://www.youtube.com/watch?v=A1azIGZiBvc>.*

“Wearable OLED concept” Mar. 9, 2016, YouTube, site visited Feb. 4, 2019: <https://www.youtube.com/watch?v=eY-DPAz19gg>.*

“Mexico stock exchange capitalizes on digital signage” Dec. 23, 2015, Digital Signage Today, site visited Feb. 4, 2019: <https://www.digitalsignagetoday.com/news/mexico-stock-exchange-capitalizes-on-digital-signage/>.*

“Couple ultra-thin curved screen smartwatch with metal watch-band” Jun. 3, 2015, depositphotos, site visited Feb. 4, 2019: <https://depositphotos.com/74282817/stock-photo-couple-ultra-thin-curved-screen.html>.*

P., Daniel, “Apple might use LG’s stacked batteries for the iWatch, but no solar charging or curved screen” Feb. 5, 2014, phoneArena.com, site visited Feb. 4, 2019: https://www.phonearena.com/news/Apple-might-use-LGs-stacked-batteries-for-the-iWatch-but-no-solar-charging-or-curved-screen_id52218.*

Strasser, Erich, “Mitsubishi Curved OLED at ISE-2011” Feb. 4, 2011, YouTube, site visited Feb. 4, 2019: <https://www.youtube.com/watch?v=2FqAFxbzR6E>.*

* cited by examiner

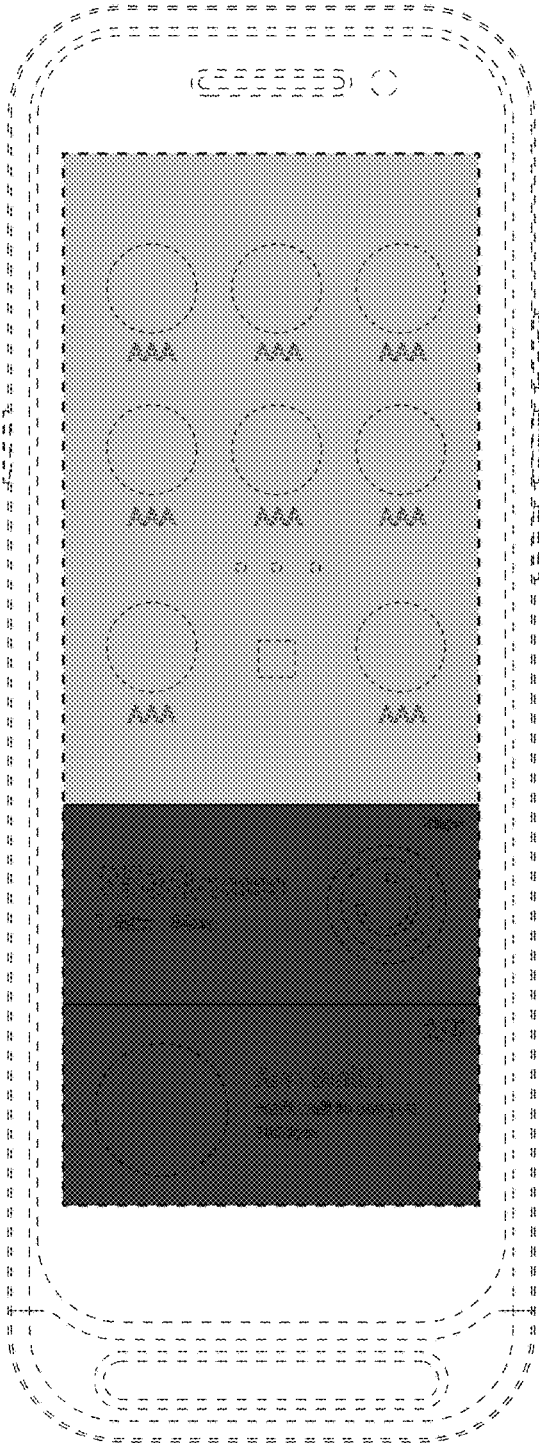


Fig. 1

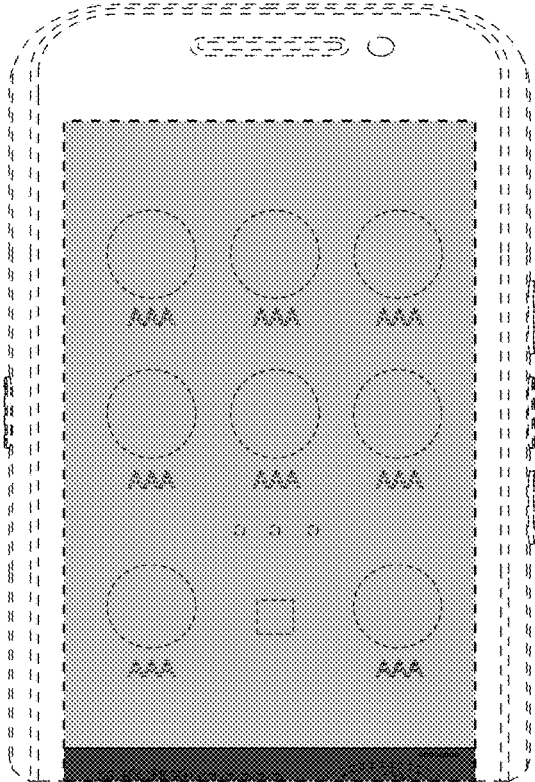


Fig. 2

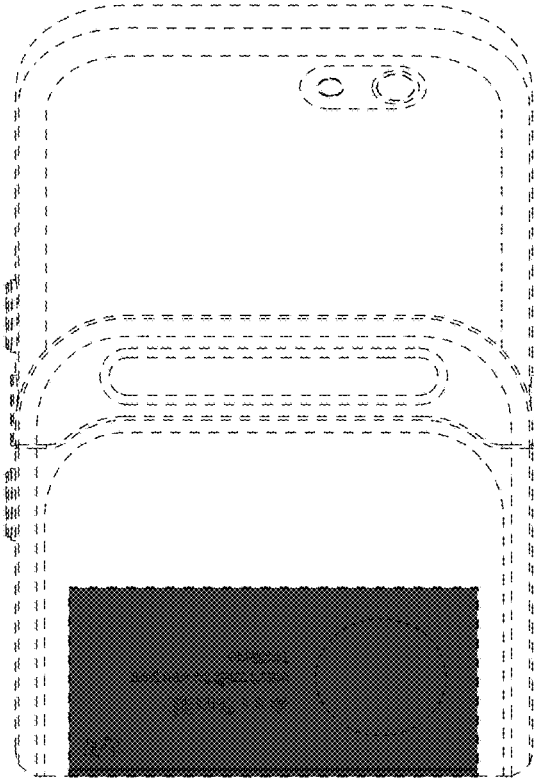


Fig. 3

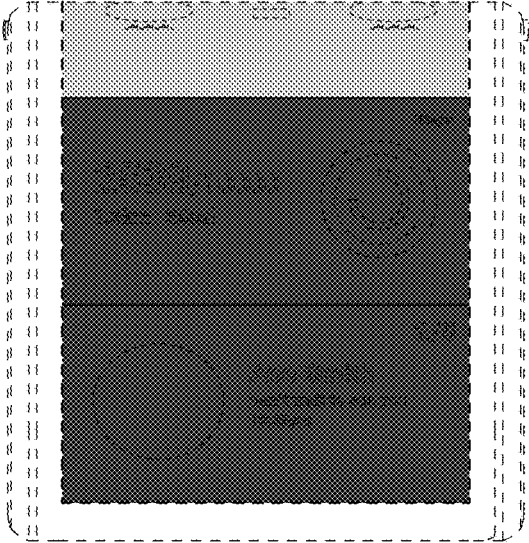


Fig. 4

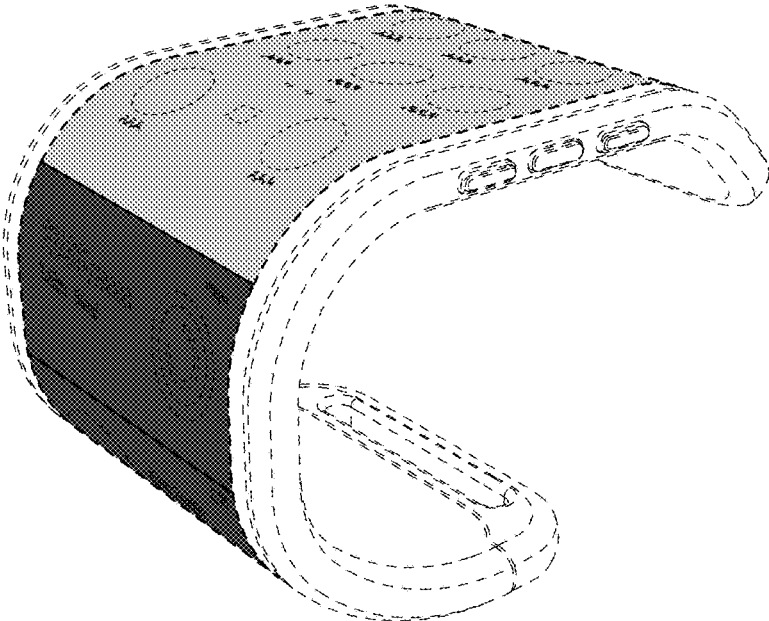


Fig. 5

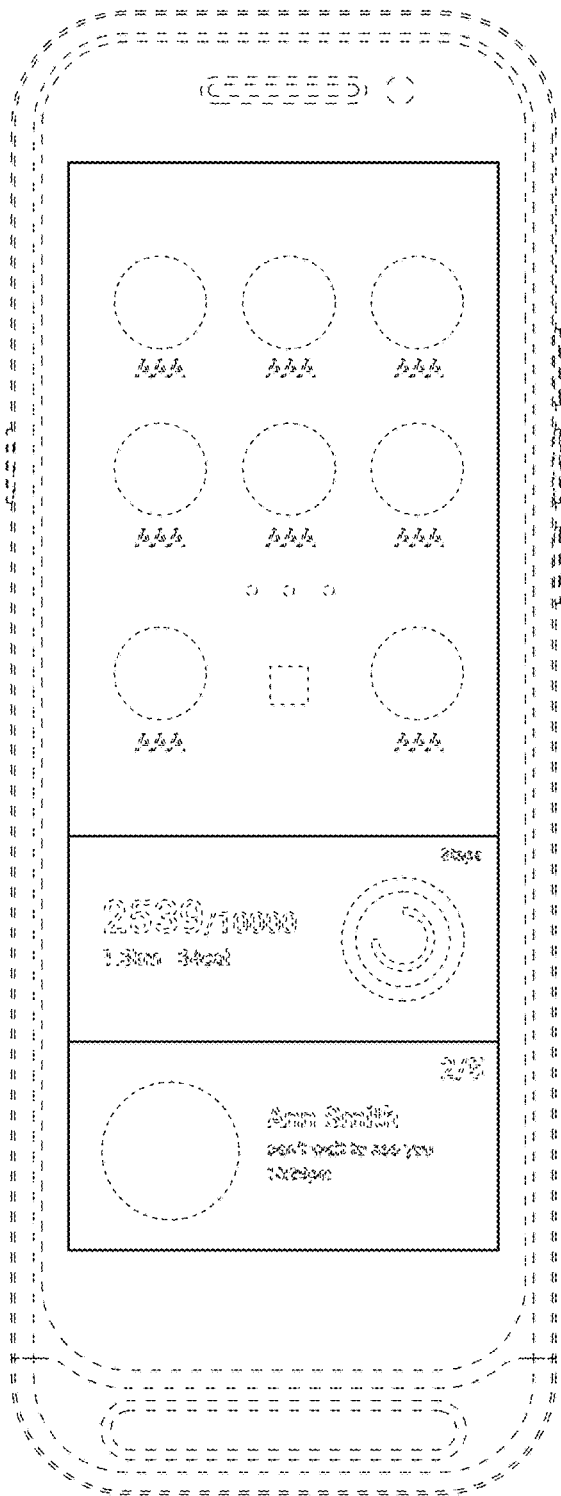


Fig. 6

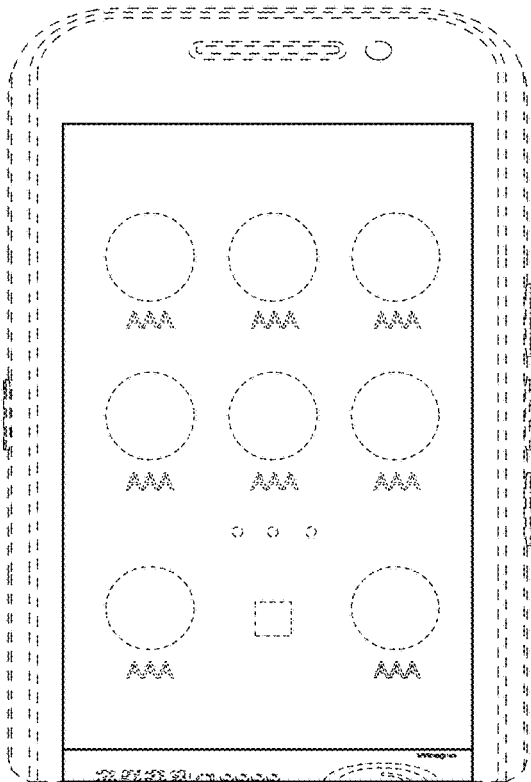


Fig. 7

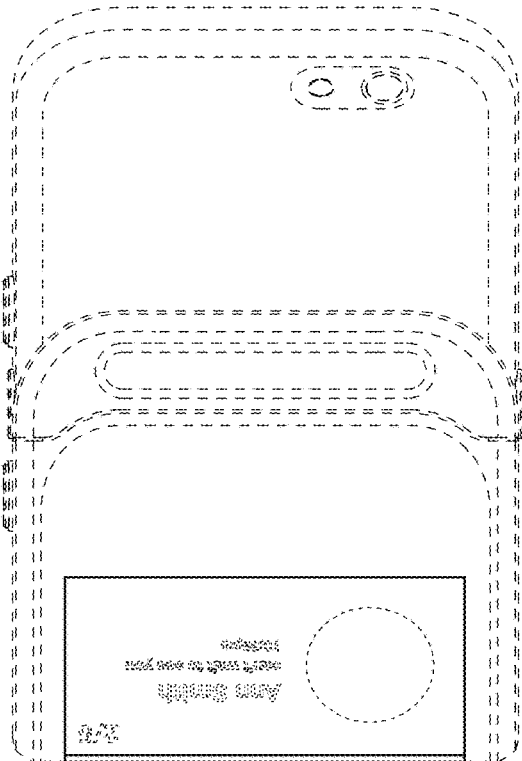


Fig. 8

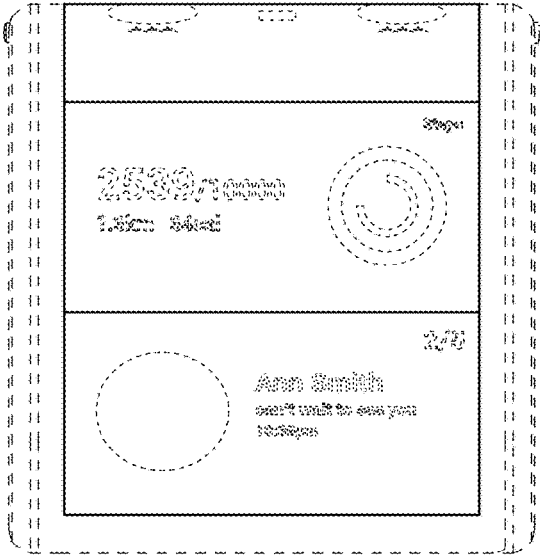


Fig. 9

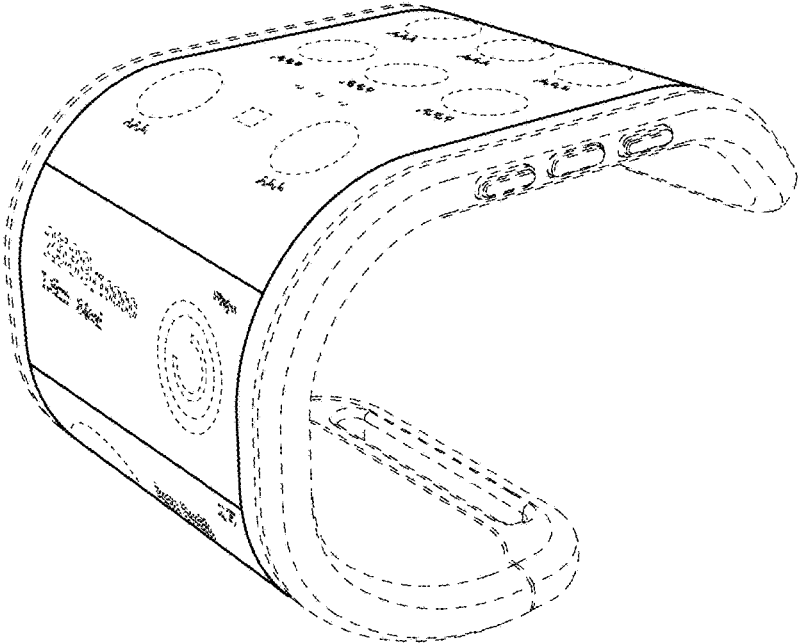


Fig. 10