



US00D755750S

(12) **United States Design Patent**
Chen

(10) **Patent No.:** **US D755,750 S**

(45) **Date of Patent:** **** May 10, 2016**

(54) **HUMAN INPUT DEVICE FOR A CONSUMER ELECTRONIC DEVICE**

(71) Applicant: **Tencent Technology (Shenzhen) Company Limited**, Shenzhen, Guangdong (CN)

(72) Inventor: **Huihui Chen**, Shenzhen (CN)

(73) Assignee: **Tencent Technology (Shenzhen) Company Limited**, Shenzhen, Guangdong (CN)

(**) Term: **14 Years**

(21) Appl. No.: **29/511,480**

(22) Filed: **Dec. 11, 2014**

(30) **Foreign Application Priority Data**

Jun. 12, 2014 (CN) 2014 3 0178966

(51) **LOC (10) CL.** **14-01**

(52) **U.S. CL.**
USPC **D14/172**

(58) **Field of Classification Search**
USPC D14/496, 203.1-230.8, 356, 172, 168, D14/217, 238.1, 209.1, 204, 221; 273/148 B; 463/1, 29-35, 46, 47; 345/156, 169, 905
CPC G09G 5/00; G09G 5/08; G06F 3/0202; G06F 3/9231; H04M 1/6066
See application file for complete search history.

(56) **References Cited**

U.S. PATENT DOCUMENTS

D391,944 S * 3/1998 Han D14/356
6,358,286 B2 * 3/2002 Lang A61K 8/49
8/406

6,522,613 B1 * 2/2003 Frankeny A45F 5/00
206/701
D496,038 S * 9/2004 Floyd D14/356
6,903,662 B2 * 6/2005 Rix G06F 3/0202
340/10.6
D563,391 S * 3/2008 Skurdal D14/172
D598,018 S * 8/2009 Sumii D14/301
7,696,981 B2 * 4/2010 Hsieh G06F 3/0231
341/173
7,734,055 B2 * 6/2010 Chiloyan H04M 1/6066
381/109
D626,147 S * 10/2010 Goddard D14/496
D694,233 S * 11/2013 Hoofnagle D14/356
D717,341 S * 11/2014 Akana D14/496

* cited by examiner

Primary Examiner — Prabhakar Deshmukh

(74) *Attorney, Agent, or Firm* — Oppedahl Patent Law Firm LLC

(57) **CLAIM**

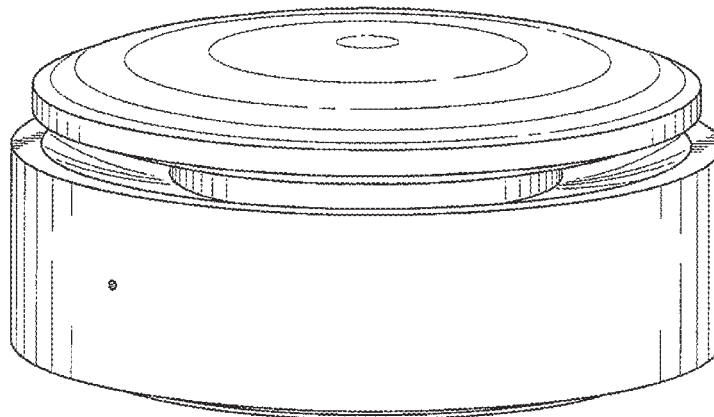
The ornamental design for a human input device for a consumer electronic device, as shown and described.

DESCRIPTION

FIG. 1 is a rear elevational view of a human input device for a customer electronic device showing my new design; FIG. 2 is a bottom plan view thereof; FIG. 3 is a front elevational view thereof; FIG. 4 is a left side elevational view thereof; FIG. 5 is a bottom perspective view thereof; FIG. 6 is a top perspective view thereof; FIG. 7 is a front elevational view thereof, shown in alternate position with the cap pushed down; FIG. 8 is a right side elevational view thereof; and, FIG. 9 is a top plan view thereof.

The numbered FIGS. 1-9 show a human input device for a consumer electronic device. In FIGS. 3, 5, 6, and 7, a small circular opening for a light may be seen, which opening is unclaimed.

1 Claim, 5 Drawing Sheets



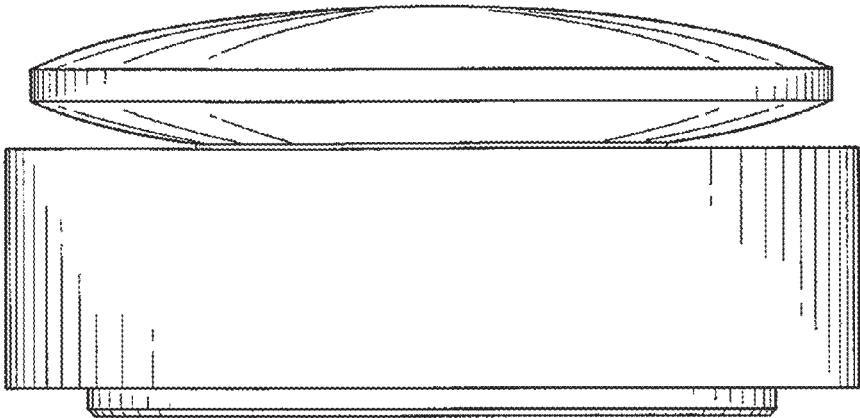


Fig. 1

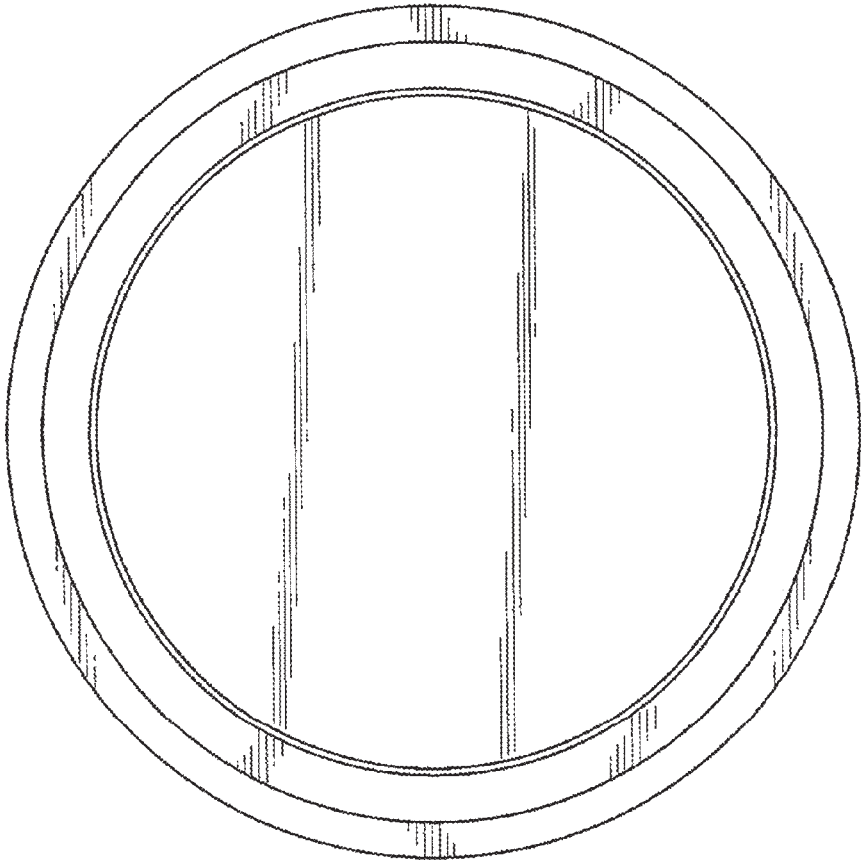


Fig. 2

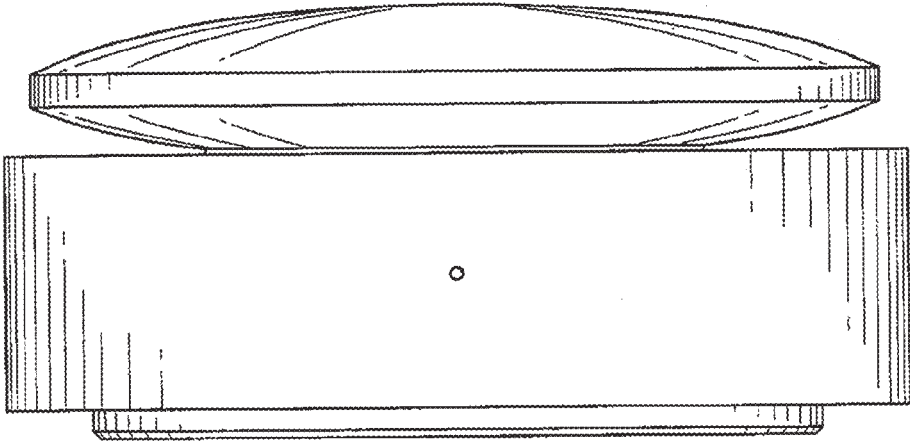


Fig. 3

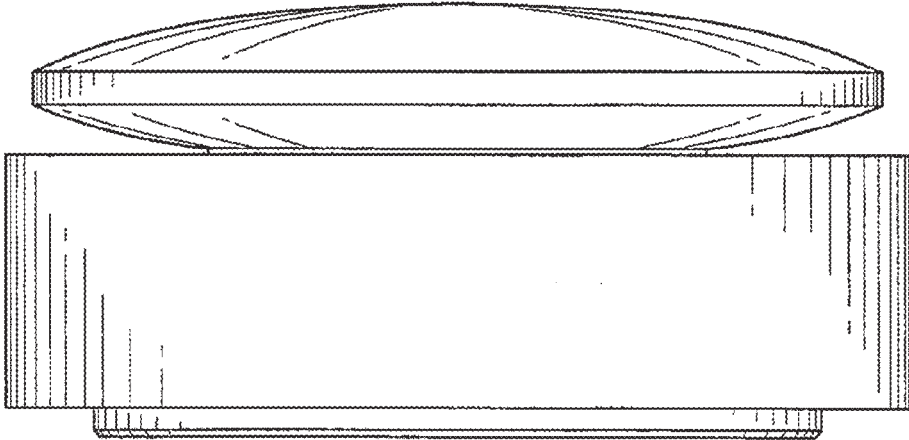


Fig. 4

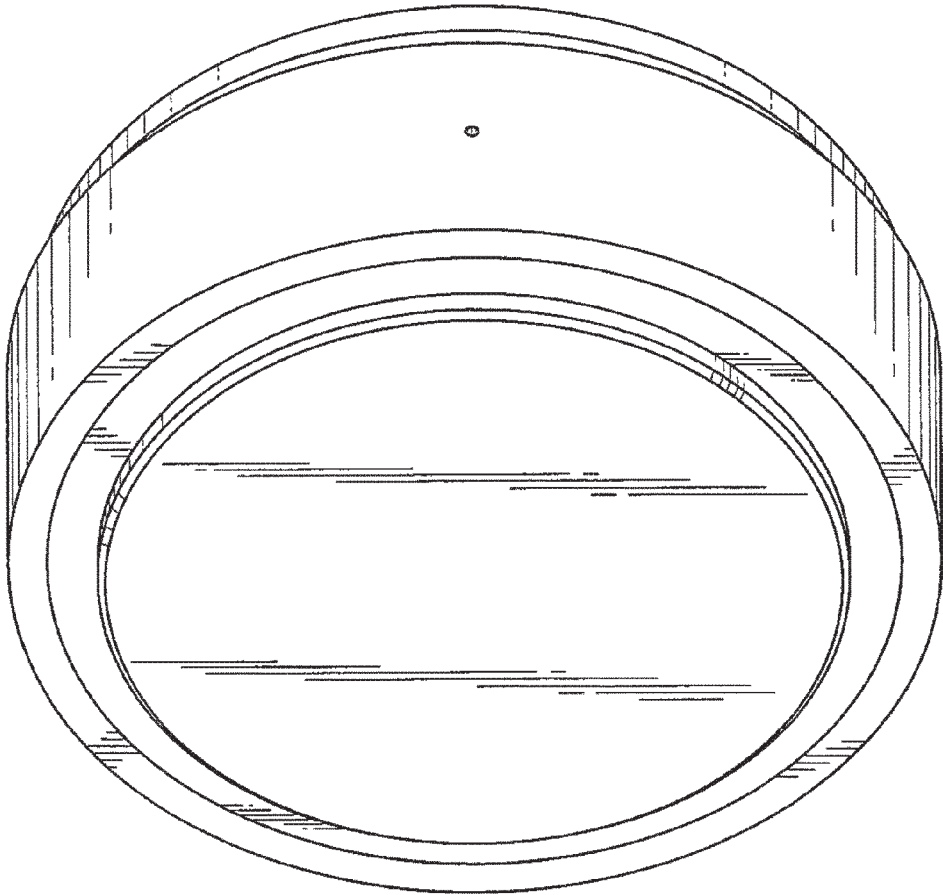


Fig. 5

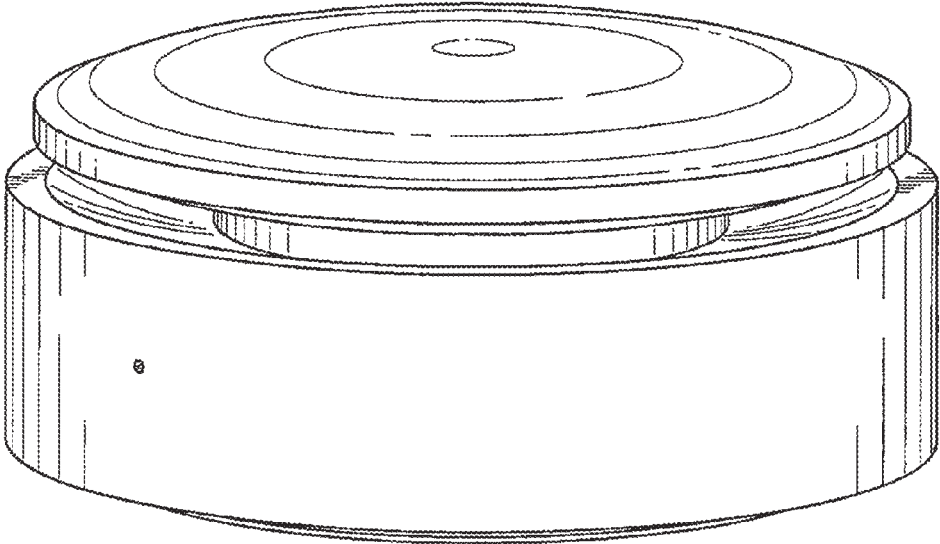


Fig. 6

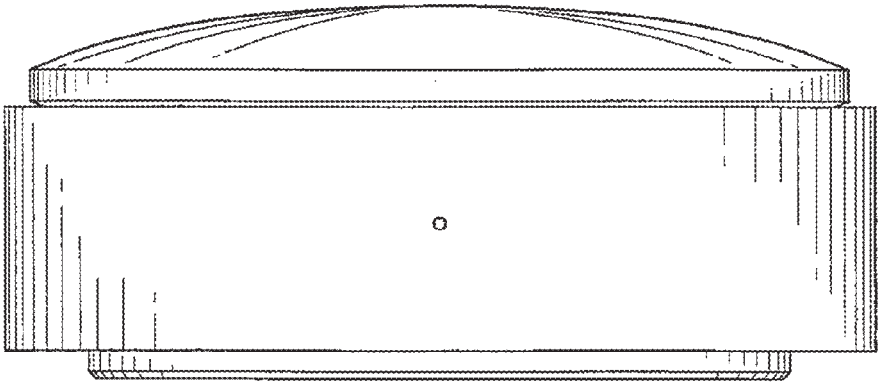


Fig. 7

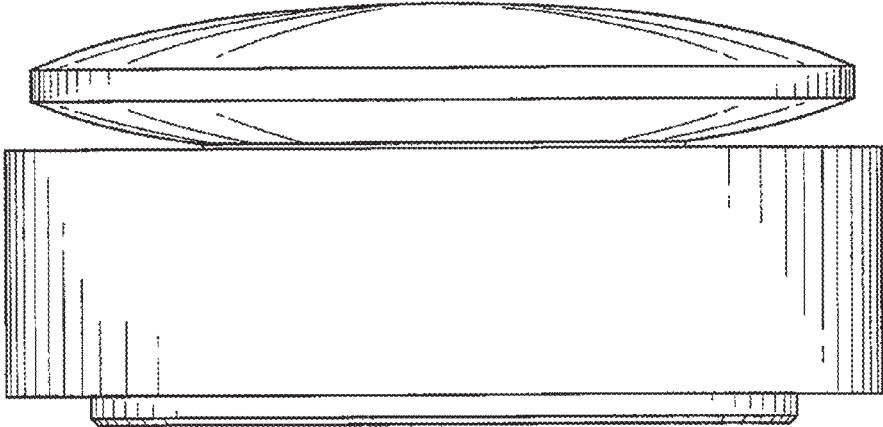


Fig. 8

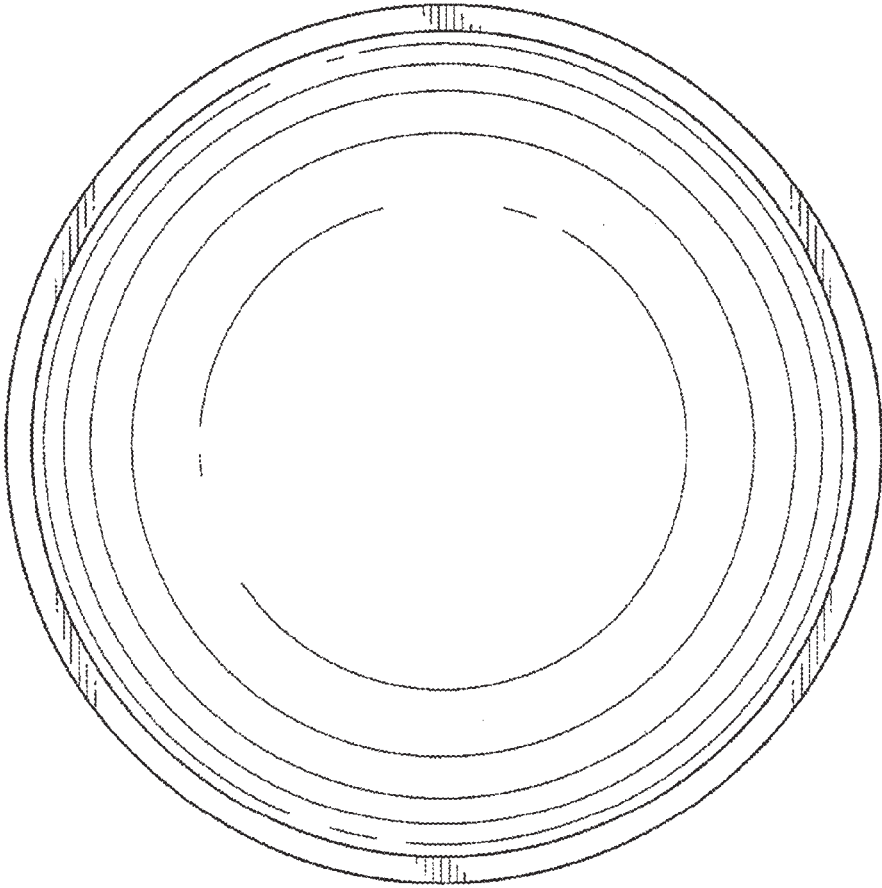


Fig. 9