



US00D732259S

(12) **United States Design Patent**
Lockwood

(10) **Patent No.:** **US D732,259 S**

(45) **Date of Patent:** **** Jun. 16, 2015**

- (54) **WINDSHIELD MOUNTING ASSEMBLY**
- (71) Applicant: **Kenneth R. Lockwood**, Arvada, CO (US)
- (72) Inventor: **Kenneth R. Lockwood**, Arvada, CO (US)
- (73) Assignee: **KEN'S KAR KLINIK, INC.**, Arvada, CO (US)
- (**) Term: **14 Years**
- (21) Appl. No.: **29/448,074**
- (22) Filed: **Mar. 8, 2013**
- (51) **LOC (10) Cl.** **12-02**
- (52) **U.S. Cl.**
USPC **D34/26**
- (58) **Field of Classification Search**
USPC D34/26, 35, 21, 28, 33; D8/400-499;
D25/199, 48.5; 160/146, 144, 62, 199;
211/295
CPC .. B65G 2249/04; B65G 49/061; B65G 85/48;
A47L 15/50; B62B 2203/30; B62B 3/108
See application file for complete search history.

6,761,274	B1 *	7/2004	Chen	211/207
6,953,106	B2	10/2005	Weston et al.		
7,039,995	B2	5/2006	Thompson		
D602,713	S *	10/2009	Stukenberg	D6/466
7,597,205	B2 *	10/2009	Shepard-Vagedes et al.		211/200
D613,022	S *	3/2010	Laursen	D34/23
D617,576	S *	6/2010	Lin	D6/411
7,784,816	B2 *	8/2010	Jian et al.	280/651
D630,266	S *	1/2011	Frank et al.	D21/506
D632,450	S *	2/2011	Agoncillo et al.	D34/28
D636,142	S *	4/2011	Loeppky et al.	D34/28
D643,989	S *	8/2011	Goldszer	D34/26
8,286,810	B2 *	10/2012	Sabounjian	211/200
D685,563	S *	7/2013	Chan	D34/28
D688,022	S *	8/2013	Gann et al.	D34/28
8,523,197	B2 *	9/2013	Baatz et al.	280/42

(Continued)

Primary Examiner — Susan Bennett Hattan
Assistant Examiner — Marie Fast Horse
(74) *Attorney, Agent, or Firm* — Aileen Law; Oppedahl Patent Law Firm LLC

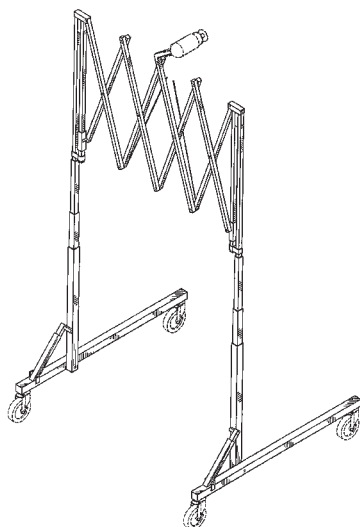
(57) **CLAIM**
The ornamental design for a windshield mounting assembly, as shown and described.

DESCRIPTION

FIG. 1 is a front and right side perspective view of my new design for a windshield mounting assembly, shown partially expanded;
FIG. 2 is a front elevational view of FIG. 1, shown expanded;
FIG. 3 is a back elevational view of FIG. 2;
FIG. 4 is a top plan view thereof;
FIG. 5 is a bottom plan view thereof;
FIG. 6 is a right side elevational view thereof;
FIG. 7 is a left side elevational view thereof; and,
FIG. 8 is a front elevational view of the windshield mounting assembly, shown closed.
The broken lines shown in the drawings illustrate environmental subject matter only and form no part of the claimed design.

1 Claim, 6 Drawing Sheets

- (56) **References Cited**
U.S. PATENT DOCUMENTS
- | | | | | | |
|-----------|------|---------|-----------------|-------|-----------|
| 417,898 | A * | 12/1889 | Bataille | | 160/141 |
| 854,392 | A * | 5/1907 | Wills | | 160/141 |
| 2,348,561 | A * | 5/1944 | Mutch | | 160/135 |
| 2,937,699 | A * | 5/1960 | Ducharme | | 160/84.09 |
| 3,417,805 | A * | 12/1968 | Kaufman et al. | | 160/152 |
| 3,506,056 | A * | 4/1970 | Quinones et al. | | 160/160 |
| 3,765,550 | A * | 10/1973 | Tausheck | | 414/541 |
| 4,069,922 | A | 1/1978 | Hawkins | | |
| 4,243,090 | A * | 1/1981 | Kemp | | 160/145 |
| 5,221,012 | A * | 6/1993 | Licari | | 211/105 |
| 5,457,914 | A * | 10/1995 | Johnson, Jr. | | 49/463 |
| D429,051 | S | 8/2000 | Porter | | |
| 6,435,250 | B1 * | 8/2002 | Pichik et al. | | 160/24 |
| D485,413 | S * | 1/2004 | Yamamoto et al. | | D34/38 |



(56)

References Cited

U.S. PATENT DOCUMENTS

8,602,229	B2 *	12/2013	Raghunathan et al. ..	211/119.01	2007/0221598	A1 *	9/2007	Sabounjian	211/200
8,672,147	B2 *	3/2014	Lam	211/149	2008/0150244	A1 *	6/2008	Carlei	280/35
D704,914	S *	5/2014	Campbell et al.	D34/28	2008/0185358	A1 *	8/2008	Hernandez	211/195
2001/0004969	A1 *	6/2001	Arai	206/320	2009/0020661	A1 *	1/2009	Ludwig et al.	248/129
2007/0063471	A1 *	3/2007	Carlei	280/79.7	2009/0250416	A1 *	10/2009	Chookang	211/41.14
					2010/0066046	A1 *	3/2010	Warunek	280/63
					2010/0126076	A1 *	5/2010	Broyan	49/404

* cited by examiner

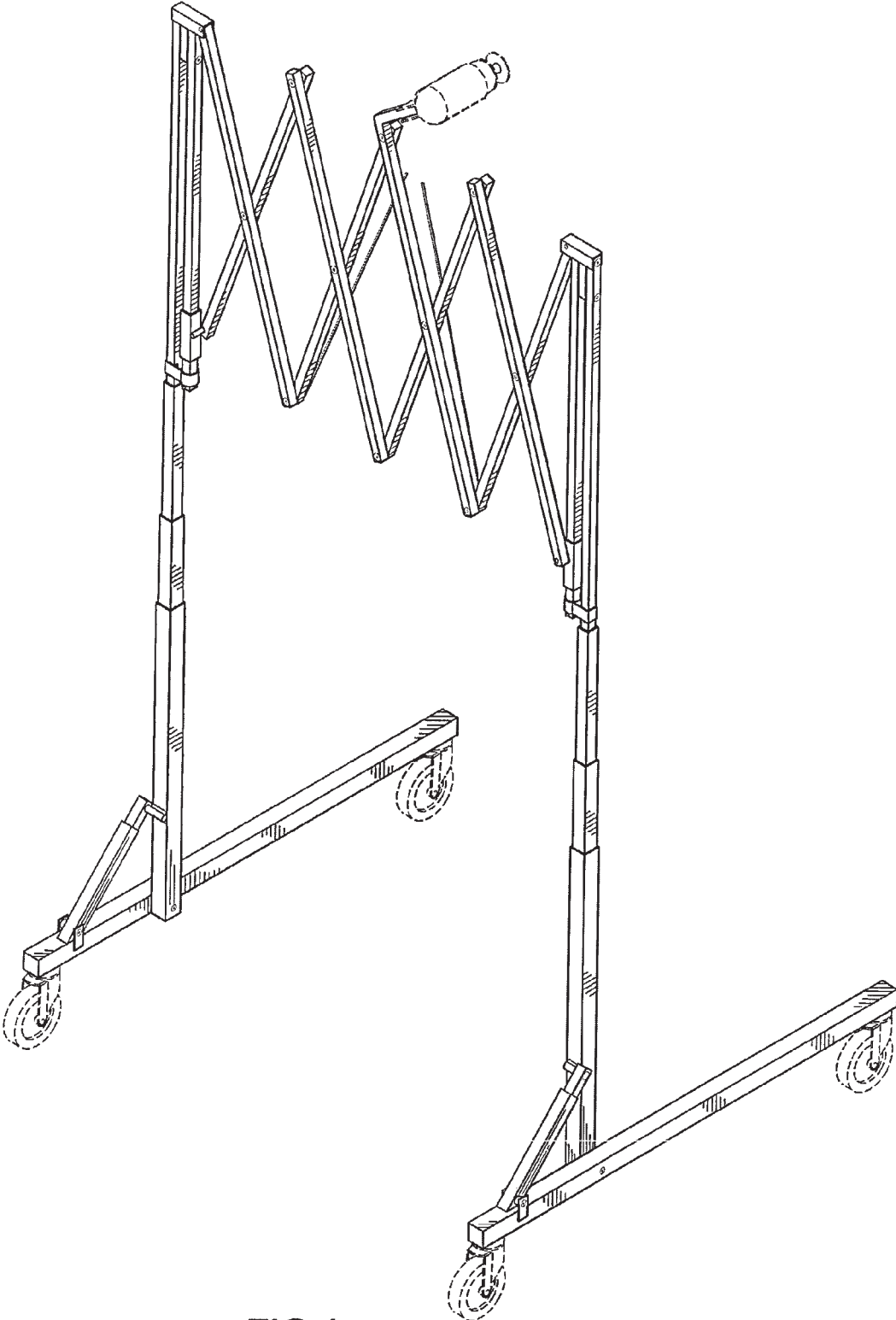


FIG.1

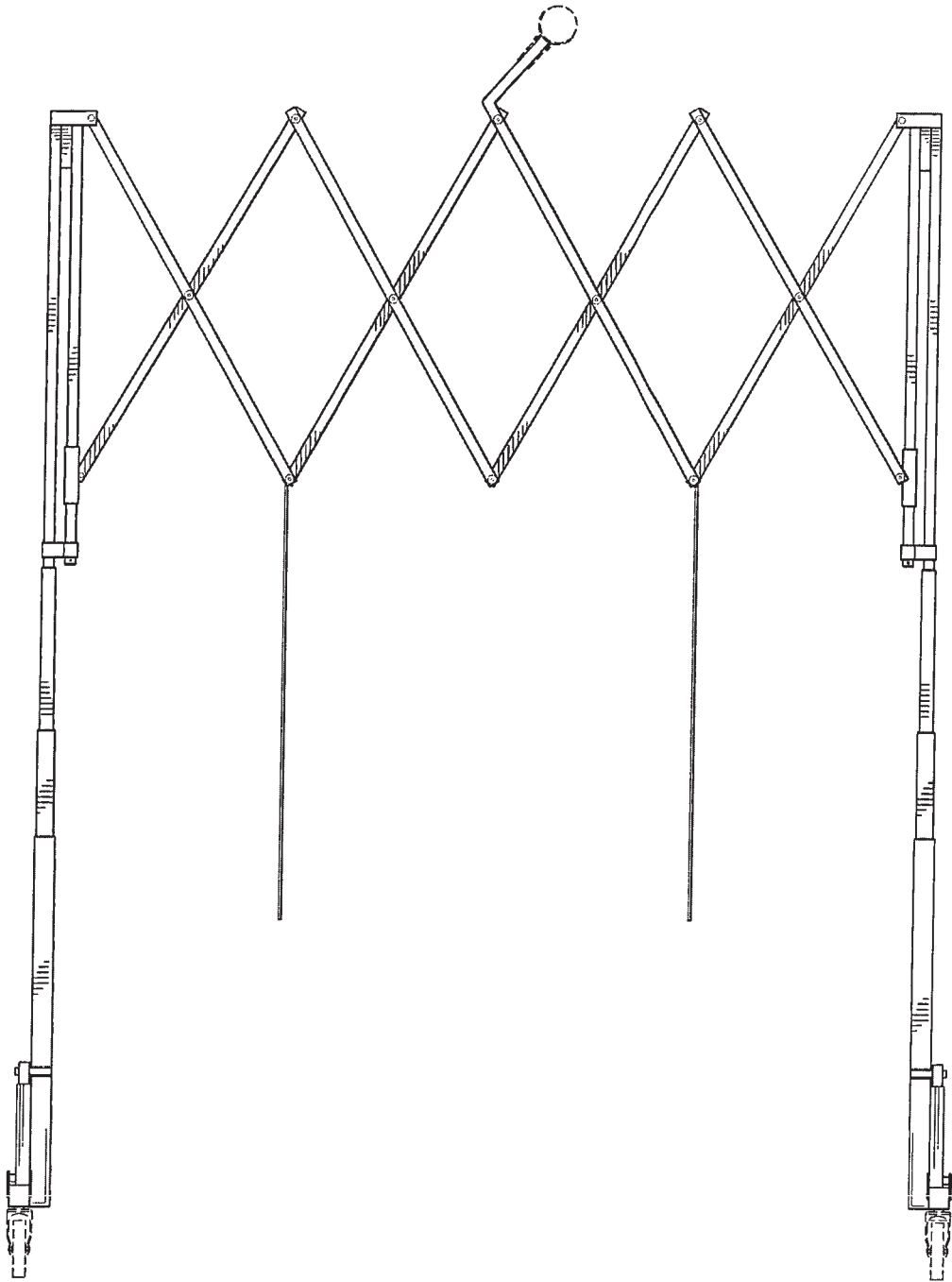


FIG.2

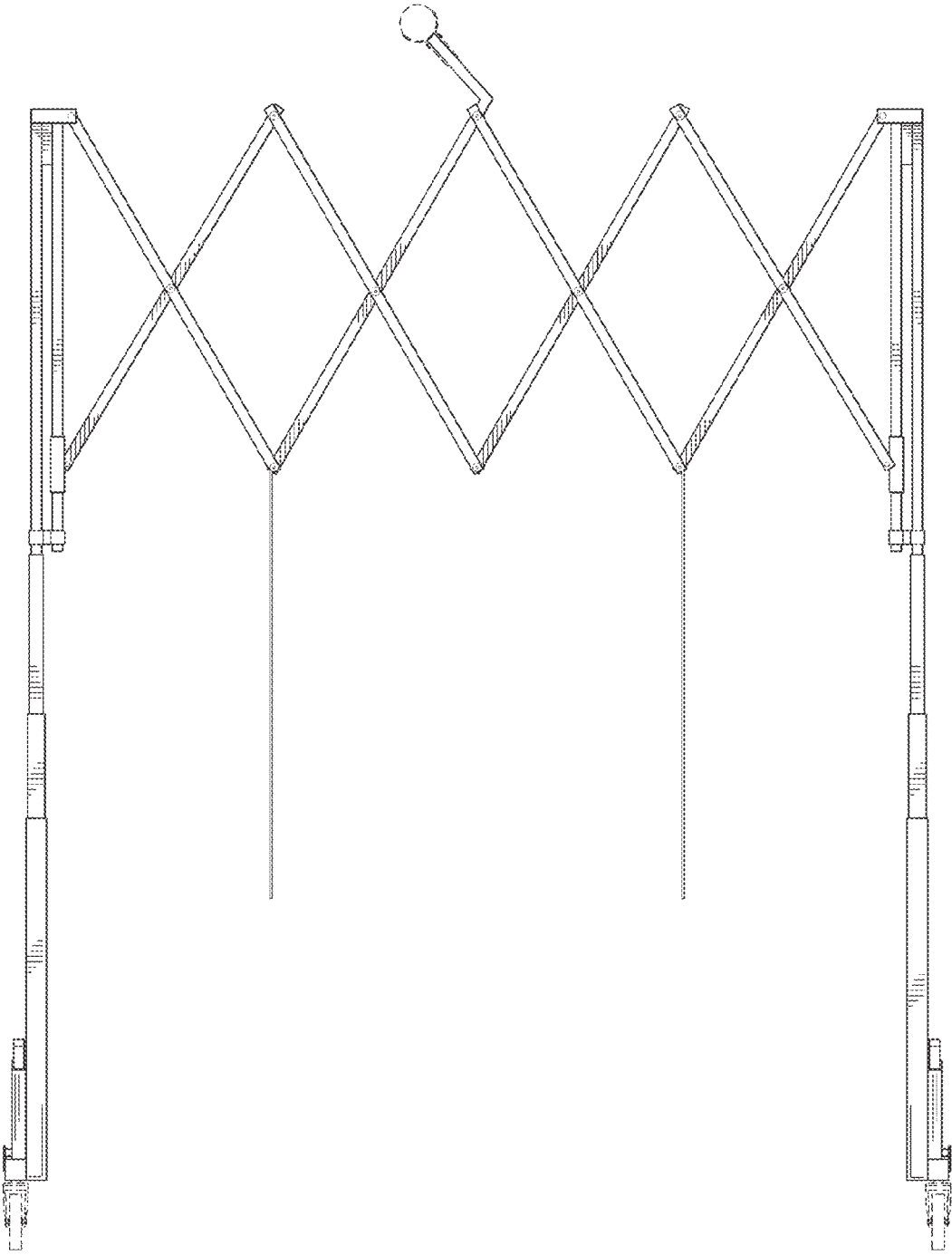


FIG.3

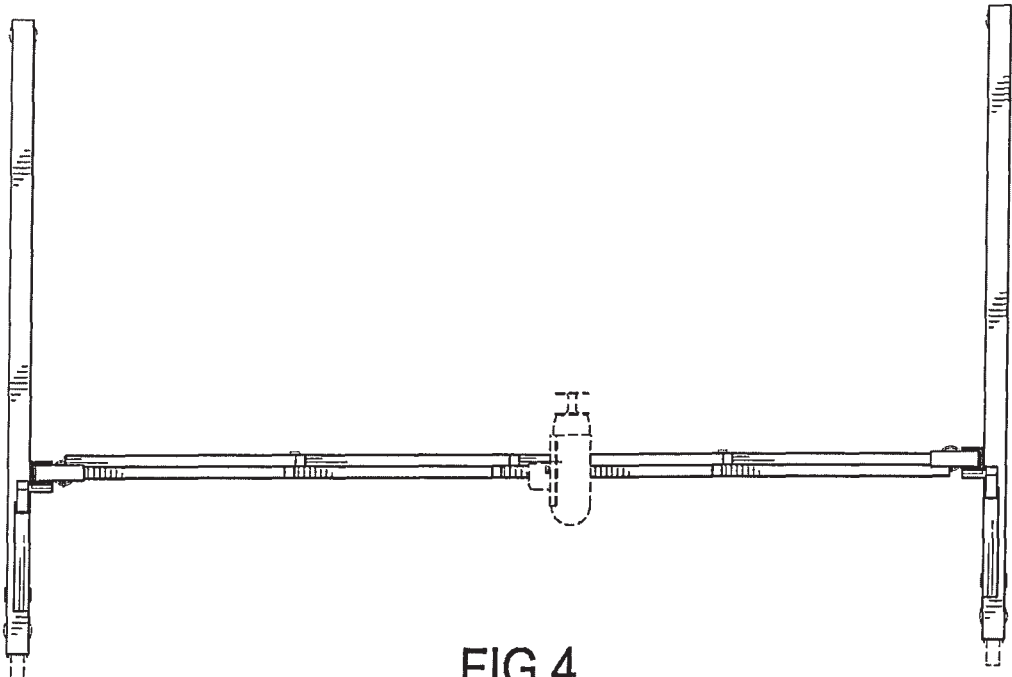


FIG.4

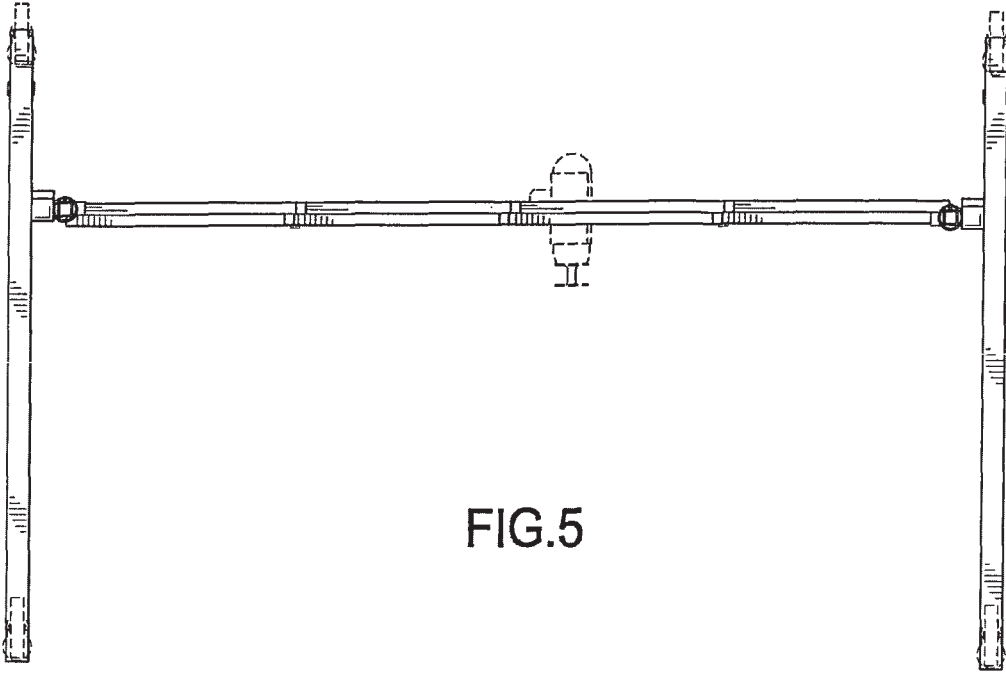


FIG.5

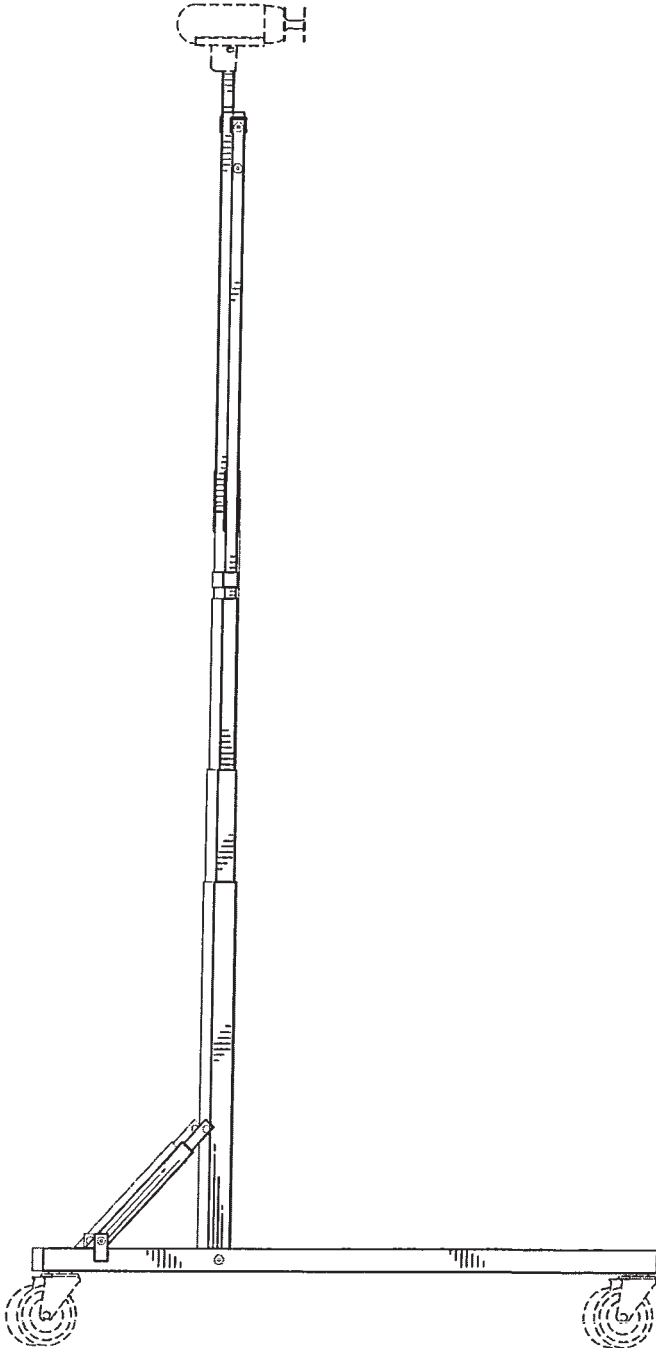


FIG.6

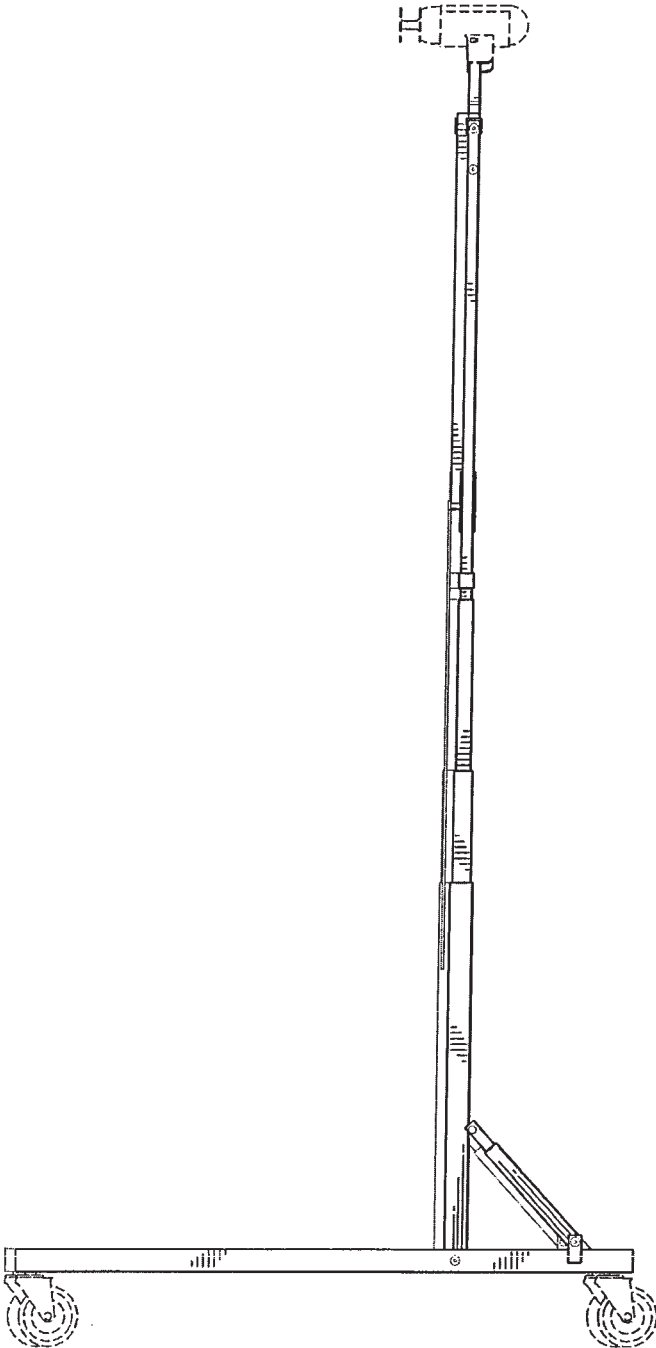


FIG.7

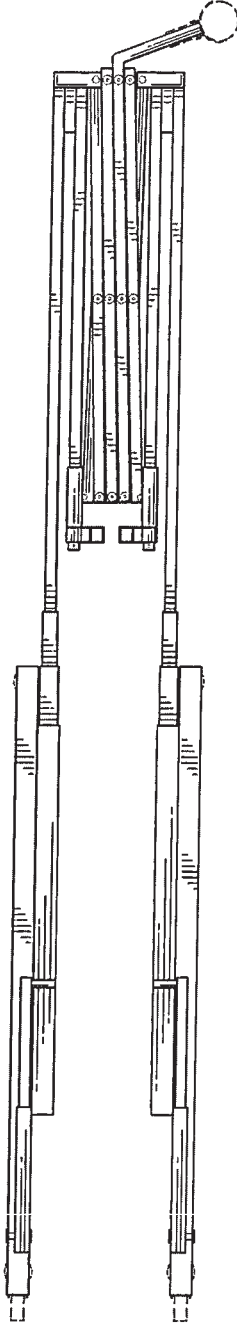


FIG.8