



US00D697724S

(12) **United States Design Patent**
Lockwood

(10) **Patent No.:** **US D697,724 S**

(45) **Date of Patent:** **** Jan. 21, 2014**

(54) **HANGER**

(71) Applicant: **Kenneth R. Lockwood**, Arvada, CO
(US)

(72) Inventor: **Kenneth R. Lockwood**, Arvada, CO
(US)

(73) Assignee: **Ken's Kar Klinik, Inc.**, Arvada, CO
(US)

(**) Term: **14 Years**

(21) Appl. No.: **29/448,075**

(22) Filed: **Mar. 8, 2013**

(51) **LOC (10) Cl.** **06-08**

(52) **U.S. Cl.**
USPC **D6/319**

(58) **Field of Classification Search**
USPC D6/315-328; 223/85-98; 211/13.1, 10,
211/86.01, 87.01, 85.2, 113

See application file for complete search history.

(56) **References Cited**

U.S. PATENT DOCUMENTS

589,901	A *	9/1897	Lincoln et al.	223/94
741,654	A *	10/1903	Gasser	38/102.4
1,030,253	A *	6/1912	Doyle	223/93
1,570,196	A *	1/1926	Barron	223/89
1,617,116	A *	2/1927	Hoy	223/90
1,880,963	A *	10/1932	Kraft	223/92
4,600,132	A *	7/1986	Blanchard	223/95

* cited by examiner

Primary Examiner — Derrick Holland

Assistant Examiner — Lauren Calve

(74) *Attorney, Agent, or Firm* — Aileen Law; Oppedahl Patent Law Firm LLC

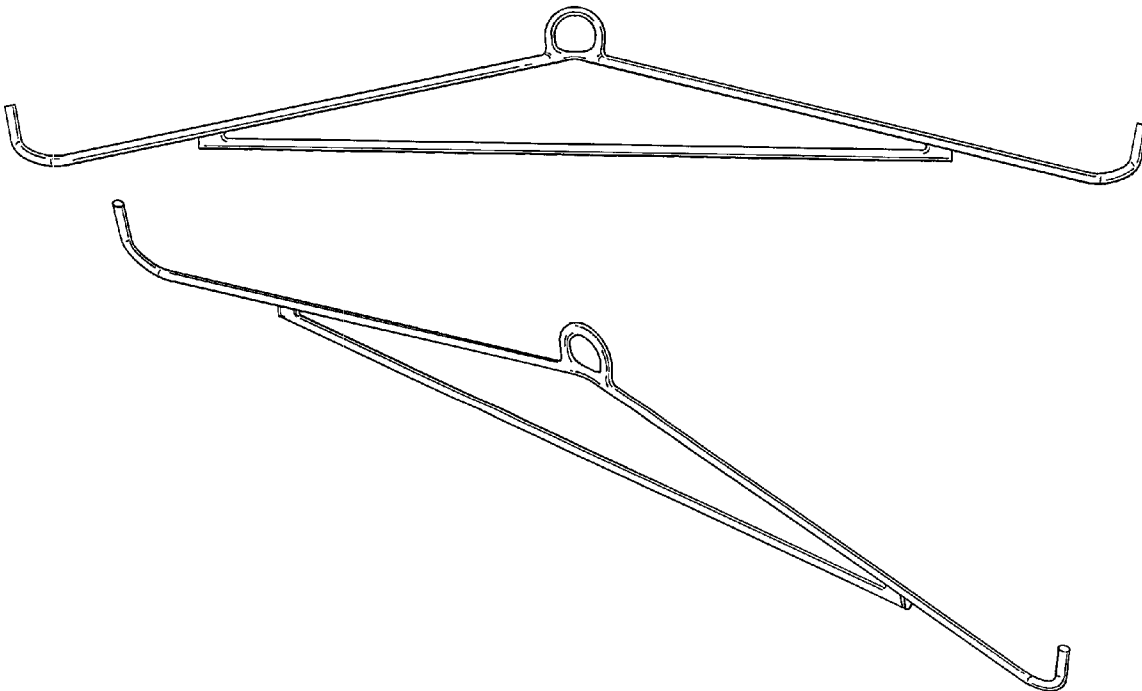
(57) **CLAIM**

The ornamental design for a hanger, as shown and described.

DESCRIPTION

FIG. 1 is a front elevation view of my new design for a hanger; FIG. 2 is a top plan view of FIG. 1; FIG. 3 is a bottom plan view of FIG. 1; FIG. 4 is a right side elevation view of FIG. 1, a left side elevation view being identical; and, FIG. 5 is a front and right side perspective view of FIG. 1.

1 Claim, 1 Drawing Sheet



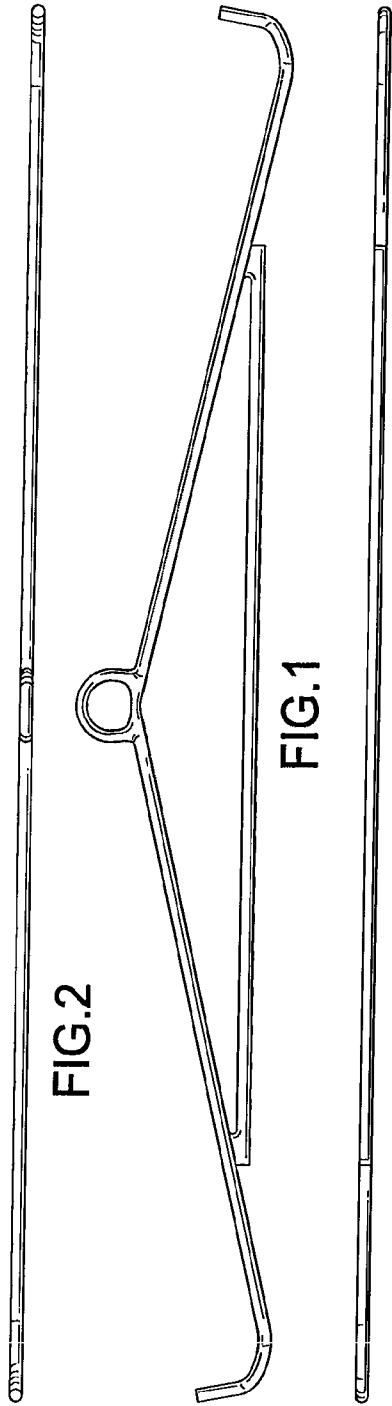


FIG.1

FIG.2

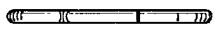


FIG.3

FIG.4

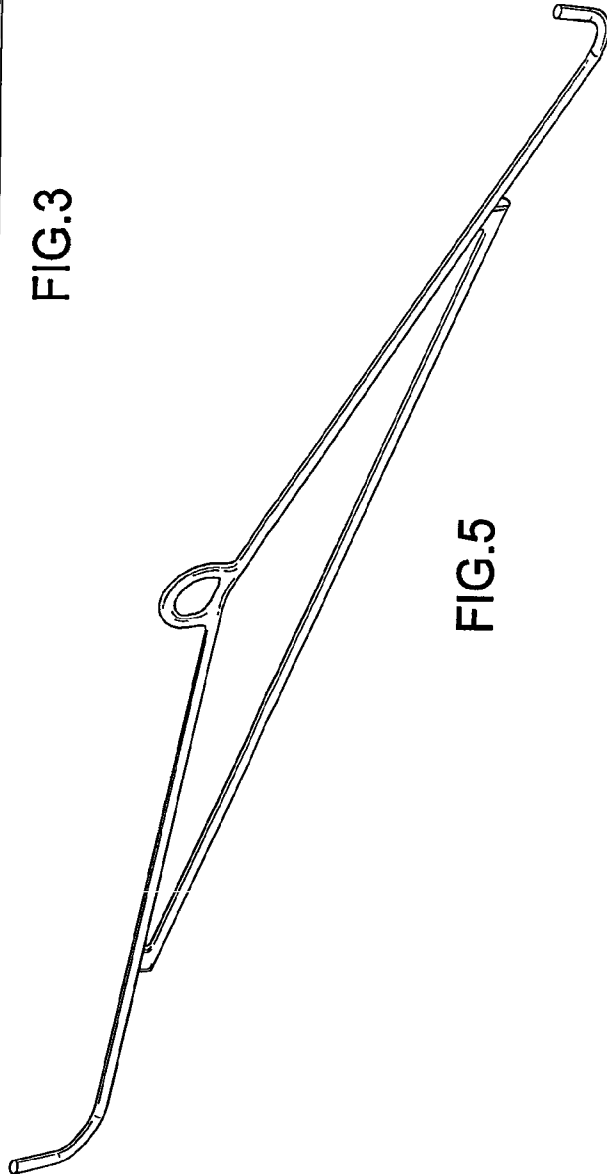


FIG.5