



US00D670197S

(12) **United States Design Patent**
Kelleghan

(10) **Patent No.:** **US D670,197 S**

(45) **Date of Patent:** **** Nov. 6, 2012**

(54) **BUCKLE**

(75) Inventor: **Brian James Kelleghan**, Longmont, CO
(US)

(73) Assignee: **Bison Designs, LLC**, Longmont, CO
(US)

(**) Term: **14 Years**

(21) Appl. No.: **29/398,302**

(22) Filed: **Jul. 28, 2011**

(51) **LOC (9) Cl.** **02-07**

(52) **U.S. Cl.** **D11/218**

(58) **Field of Classification Search** D11/1-2,
D11/200-201, 206-210, 214-218; 24/163 R,
24/169-171, 173, 177-179, 191, 194-195,
24/197, 200, 614-616, 625, 198

See application file for complete search history.

(56) **References Cited**

U.S. PATENT DOCUMENTS

1,723,841	A	*	8/1929	Butler	24/198
D109,632	S	*	5/1938	Whitehouse	D11/218
D137,208	S	*	2/1944	Schreiber	D11/218
3,328,856	A		7/1967	Jonas		

(Continued)

OTHER PUBLICATIONS

Carbonator Scan of website [<http://www.bisondesigns.com/node/23>]
showing prior art belt buckle sold by Bison Designs.

(Continued)

Primary Examiner — Ralf Seifert

(74) *Attorney, Agent, or Firm* — Margaret Polson;
Oppendahl Patent Law Firm LLC

(57) **CLAIM**

The ornamental design for a buckle, as shown and described.

DESCRIPTION

FIG. 1 is a top plan view of my new design for a buckle.

FIG. 2 is a bottom plan view of FIG. 1.

FIG. 3 is a back side elevation view of FIG. 1.

FIG. 4 is a front side elevation view of FIG. 1.

FIG. 5 is a left side elevation view of FIG. 1.

FIG. 6 is a right side elevation view of FIG. 1.

FIG. 7 is a bottom perspective view of the FIG. 1.

FIG. 8 is a bottom perspective view of my new design for a buckle with the dashed and dotted lines showing the belt, which is for illustrative purpose only and forms no part of the claimed design.

FIG. 9 is a top plan view of a buckle showing a second embodiment of my new design, the dashed and dotted lines showing the outer periphery, which is for illustrative purpose only and forms no part of the claimed design.

FIG. 10 is a bottom plan view of FIG. 9.

FIG. 11 is a back side elevation view of FIG. 9.

FIG. 12 is a front side elevation view of FIG. 9.

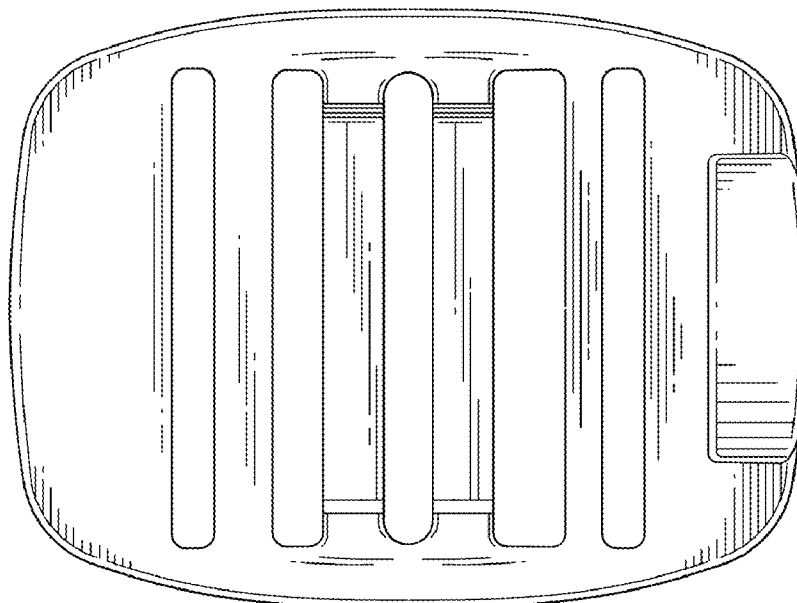
FIG. 13 is a left side elevation view of FIG. 9.

FIG. 14 is a right side elevation view of FIG. 9.

FIG. 15 is a bottom perspective view of the FIG. 9; and,

FIG. 16 is a bottom perspective view of my new design for a buckle with the dashed and dotted lines showing the belt, which is for illustrative purpose only and forms no part of the claimed design.

1 Claim, 4 Drawing Sheets



US D670,197 S

Page 2

U.S. PATENT DOCUMENTS

3,339,248 A 9/1967 Campaiola
3,346,930 A * 10/1967 Browning 24/265 R
3,823,444 A 7/1974 Takabayashi
4,373,234 A 2/1983 Boden
D313,343 S * 1/1991 Sachs D8/383
D328,044 S * 7/1992 Murai D11/218
D427,547 S 7/2000 Yoshiguchi
D484,071 S 12/2003 Kelleghan
D493,386 S 7/2004 Pontaoe
D586,259 S 2/2009 Kelleghan
D622,178 S 8/2010 Kelleghan

OTHER PUBLICATIONS

Crescent Scan of website [<http://www.bisondesigns.com/node/414>]
showing prior art belt buckle sold by Bison Designs.

Decapinator Scan of website [<http://www.bisondesigns.com/node/22>]
showing prior art belt buckle sold by Bison Designs.

Ellipse Scan of website [<http://www.bisondesigns.com/node/416>]
showing prior art belt buckle sold by Bison Designs.

Last Chance Heavy Duty Scan of website [<http://www.bisondesigns.com/node/36>]
showing prior art belt buckle sold by Bison Designs.

Last Chance Light Duty Scan of website [<http://www.bisondesigns.com/node/35>]
showing prior art belt buckle sold by Bison Designs.

Slider Scan of website [<http://www.bisondesigns.com/node/31>]
showing prior art belt buckle sold by Bison Designs.

Viper Scan of website [<http://www.bisondesigns.com/node/15>]
showing prior art belt buckle sold by Bison Designs.

* cited by examiner

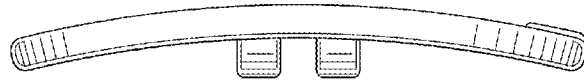


FIG.5



FIG.3

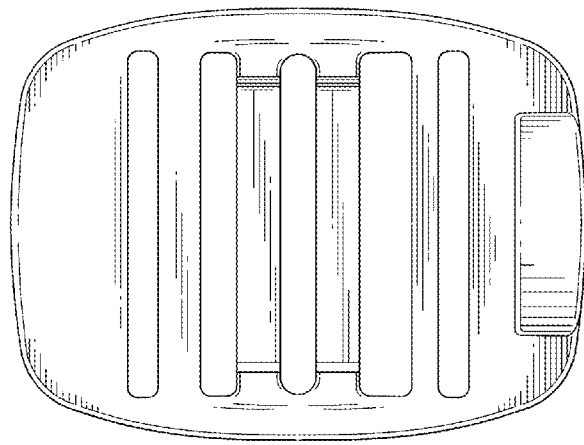


FIG.1



FIG.4

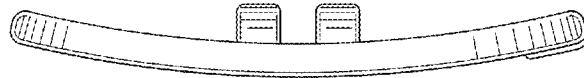


FIG.6

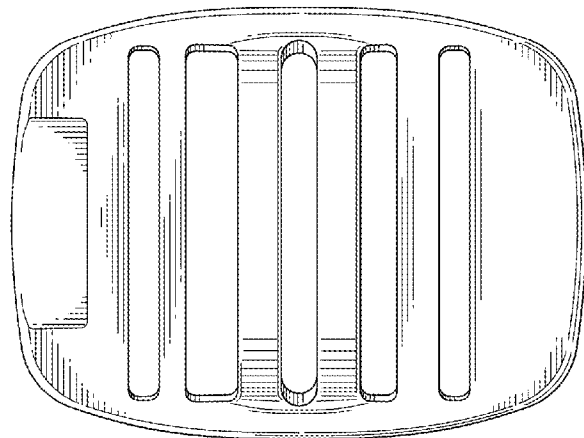


FIG.2

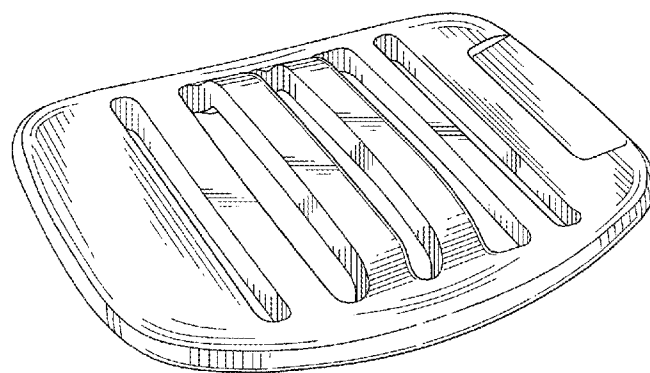


FIG. 7

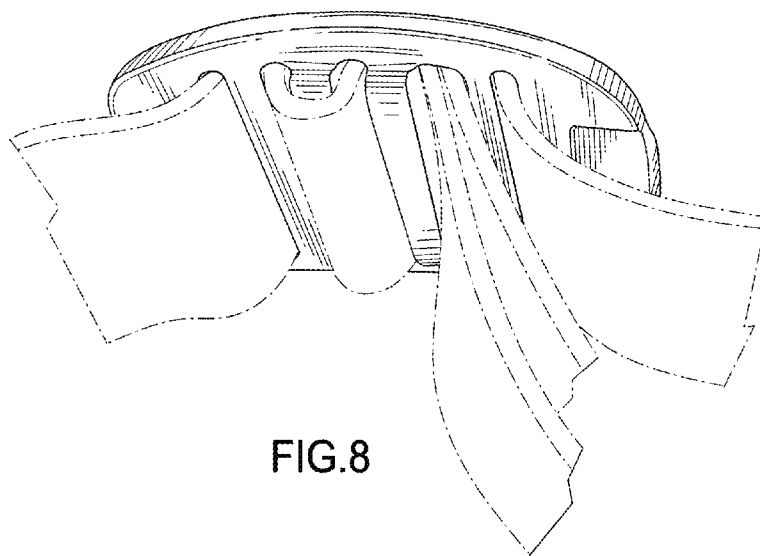


FIG. 8



FIG.13

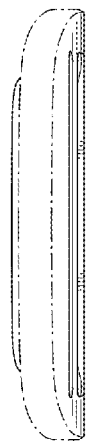


FIG.11

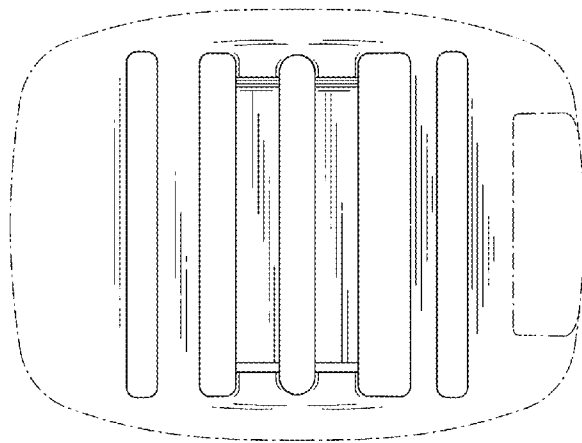


FIG.9



FIG.12



FIG.14

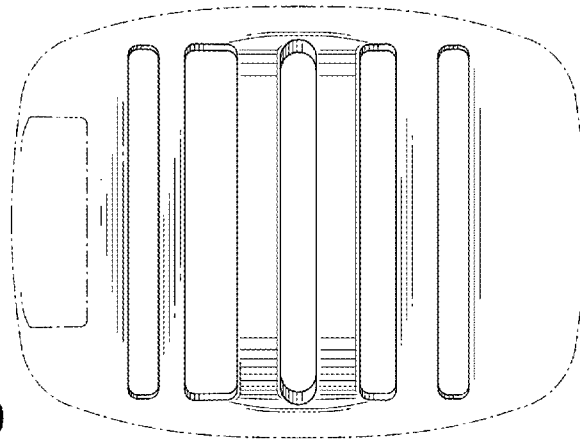


FIG.10

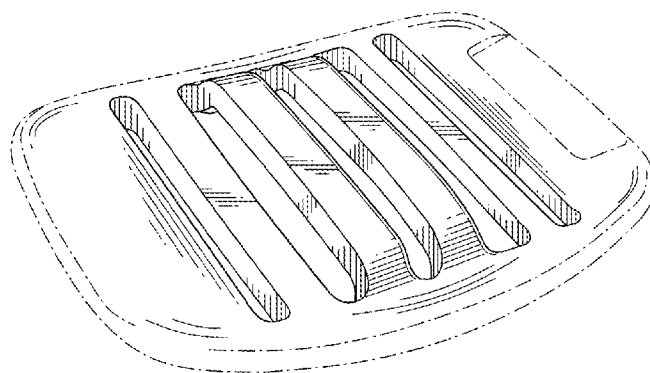


FIG. 15

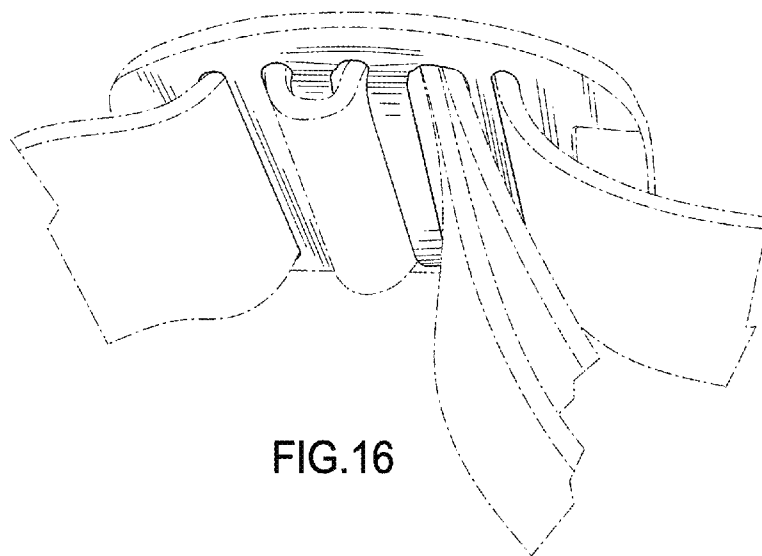


FIG. 16