



US00D670154S

(12) **United States Design Patent**
Kelleghan

(10) **Patent No.:** **US D670,154 S**

(45) **Date of Patent:** **** Nov. 6, 2012**

(54) **CARABINER WITH STRAP ATTACHMENT**

(75) **Inventor:** **Brian James Kelleghan**, Longmont, CO (US)

(73) **Assignee:** **Bison Designs, LLC**, Longmont, CO (US)

(**) **Term:** **14 Years**

(21) **Appl. No.:** **29/380,929**

(22) **Filed:** **Dec. 13, 2010**

Related U.S. Application Data

(62) Division of application No. 29/354,049, filed on Jan. 19, 2010, now Pat. No. Des. 628,873.

(51) **LOC (9) Cl.** **08-05**

(52) **U.S. Cl.** **D8/356**

(58) **Field of Classification Search** D8/105,
D8/107, 333, 349, 354, 356, 358, 360, 360.1,
D8/367, 372, 382, 383, 394–396, 400; D13/133,
D13/139.4, 153, 155; 24/18, 20 W, 23 W,
24/115 R, 129 C, 130, 131 R, 197, 561; 52/220.7;
174/135, 153 G, 650, 656; 211/86.01, 87.01,
211/94.01; 242/400.1, 405.1, 405.2, 600,
242/603; 248/65, 74.1–74.4, 201, 214, 215,
248/229.26; 114/114

See application file for complete search history.

(56) **References Cited**

U.S. PATENT DOCUMENTS

18,275 A	6/1865	Hamilton
114,459 A	5/1871	Meyer
760,171 A	5/1904	Atwell
1,764,813 A	6/1930	Thornley
2,666,244 A	1/1954	Carmichael

(Continued)

OTHER PUBLICATIONS

U.S. Appl. No. 61/297,155, filed Jan. 21, 2010; First Named Inventor: Brian James Kelleghan.

(Continued)

Primary Examiner — Karen S Acker

(74) *Attorney, Agent, or Firm* — Margaret Polson; Oppedahl Patent Law Firm LLC

(57) **CLAIM**

The ornamental design for a carabiner with strap attachment, as shown and described.

DESCRIPTION

FIG. 1 is a front plan view of a first embodiment of a carabiner with strap attachment. The gate, strap, pin holes and lever, which are shown in intermittent broken lines, represent environmental subject matter and form no part of the claim.

FIG. 2 is a rear plan view of FIG. 1.

FIG. 3 is a right side elevation view of FIG. 1.

FIG. 4 is a left side elevation view of FIG. 1.

FIG. 5 is a top elevation view of FIG. 1.

FIG. 6 is a bottom elevation view of FIG. 1.

FIG. 7 is a rear perspective view of FIG. 1.

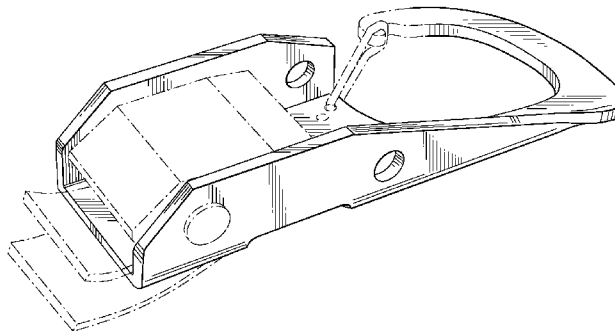
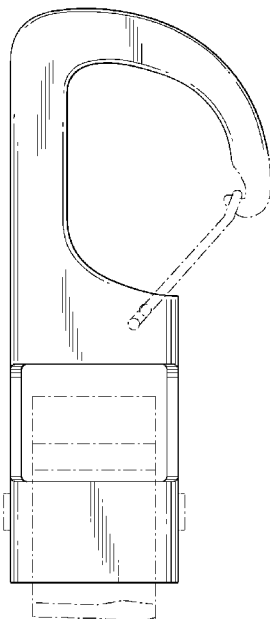
FIG. 8 is a rear plan view of a second embodiment of a carabiner with strap attachment. The right side elevation view is a mirror image of FIG. 3. The left side elevation view is a mirror image of FIG. 4. The gate, strap, pin holes and lever, which are shown in intermittent broken lines, represent environmental subject matter and form no part of the claim.

FIG. 9 is a front plan view of FIG. 8.

FIG. 10 is a top elevation view of FIG. 8; and,

FIG. 11 is bottom elevation view of FIG. 8.

1 Claim, 3 Drawing Sheets



US D670,154 S

U.S. PATENT DOCUMENTS

3,102,317 A 9/1963 Cadley
 D274,861 S * 7/1984 Lindblad D11/216
 D281,483 S 11/1985 Faidide
 4,577,374 A 3/1986 Lii
 D285,989 S 10/1986 MacDonald
 4,622,724 A 11/1986 Dupre
 D310,017 S 8/1990 Matthews
 5,146,657 A 9/1992 Frano
 D330,669 S 11/1992 Hui-Chuan
 D331,695 S 12/1992 O'Keefe
 5,291,638 A * 3/1994 Huang 24/170
 5,329,675 A 7/1994 McLean et al.
 5,384,943 A 1/1995 LeFebvre et al.
 5,416,955 A 5/1995 Katsma
 5,463,798 A 11/1995 Wurzer
 D375,252 S 11/1996 Serra Fabregas
 5,669,119 A 9/1997 Seron
 5,685,185 A 11/1997 MacDonald
 D391,840 S 3/1998 Striebel
 D402,189 S 12/1998 Izumi
 5,920,963 A * 7/1999 Chou 24/170
 5,937,490 A 8/1999 Mihailovic
 D433,310 S 11/2000 Luquire
 D433,311 S 11/2000 Luquire
 D444,100 S 6/2001 Kelleghan
 D444,685 S 7/2001 Shenkel et al.
 D448,655 S 10/2001 Lai
 D448,986 S 10/2001 Cook et al.
 6,363,244 B1 3/2002 McGhee
 D461,312 S 8/2002 Proot et al.
 D462,891 S 9/2002 Kelleghan
 D467,156 S 12/2002 Bishop
 D468,997 S 1/2003 Chang
 D474,095 S 5/2003 Luquire
 D496,251 S 9/2004 Buscart
 D500,244 S 12/2004 Yoshiguchi
 D504,306 S 4/2005 Chisolm
 6,877,189 B2 * 4/2005 Simonson et al. 24/170
 D515,903 S 2/2006 Kelleghan
 D519,010 S 4/2006 Oas
 D520,345 S 5/2006 Kelleghan

D527,988 S 9/2006 Shetler
 D528,238 S 9/2006 Kramer
 D539,122 S 3/2007 Tsai
 D543,440 S 5/2007 Plzak
 D553,480 S 10/2007 Kelleghan
 D564,341 S 3/2008 Kelleghan
 D573,493 S 7/2008 Tsai
 D574,692 S 8/2008 Cooper
 D577,283 S 9/2008 Nishida et al.
 7,428,769 B2 9/2008 Fontaine et al.
 D579,763 S 11/2008 Uehara et al.
 D591,642 S 5/2009 Henderson et al.
 D594,315 S 6/2009 Szymanski et al.
 D600,534 S 9/2009 Tokumoto
 D608,187 S 1/2010 Baron
 D609,078 S 2/2010 Kelleghan
 D629,287 S 12/2010 Kelleghan
 D629,288 S 12/2010 Kelleghan
 D637,478 S * 5/2011 Kalbach D8/383
 D646,556 S * 10/2011 Kelleghan D8/356
 D661,573 S * 6/2012 Paik et al. D8/367
 2003/0106190 A1 6/2003 Christianson
 2005/0172461 A1 8/2005 Hall
 2006/0261649 A1 11/2006 Baldwin et al.
 2008/0016659 A1 1/2008 Peterson
 2008/0134479 A1 6/2008 Kolasa et al.
 2008/0185409 A1 8/2008 Kellenberger
 2009/0000086 A1 1/2009 Bing
 2009/0178250 A1 7/2009 Brown et al.
 2009/0276983 A1 11/2009 Chan

OTHER PUBLICATIONS

U.S. Appl. No. 29/354,843, filed Jan. 29, 2010; First Named Inventor: Brian James Kelleghan.
 Lodi Metals, Inc. Endless Loop Cambuckle Strap Scan of website [http://www.lodimetals.com/products:6677/show/id:17322/] showing prior art cambuckle straps manufactured by Lodi Metals.
 Strapworks.com Cam Buckle Straps Scan of website [http://cambucklestraps.com/] showing prior art cam buckle straps sold by Strapworks.com.

* cited by examiner

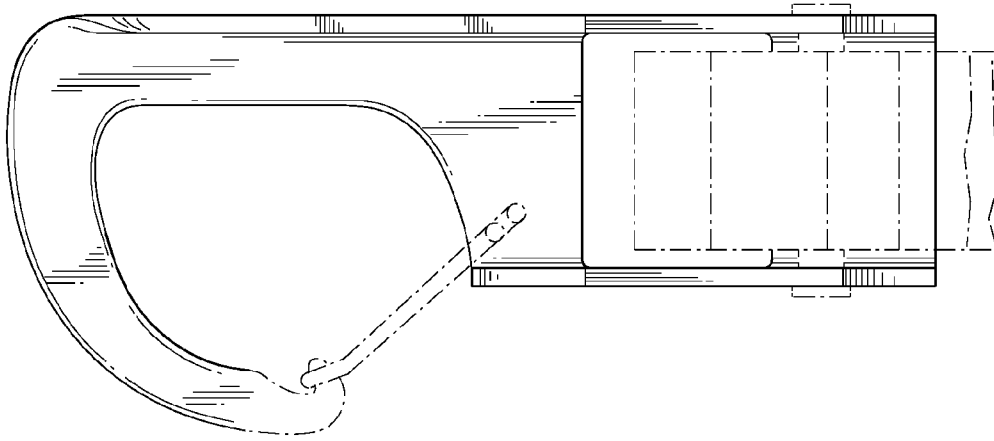


FIG.2

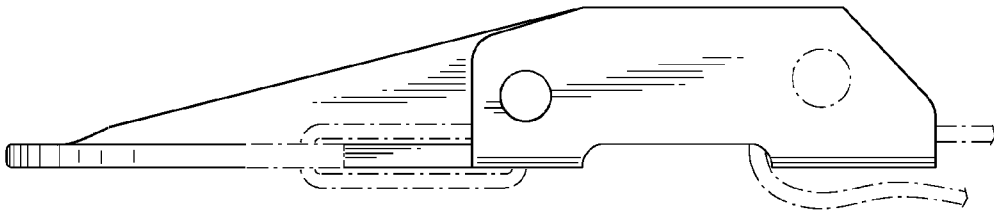


FIG.3

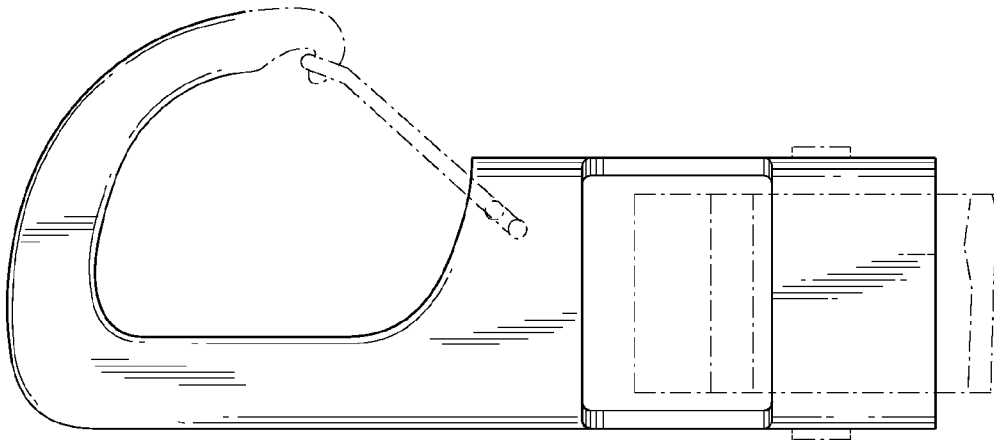


FIG.1

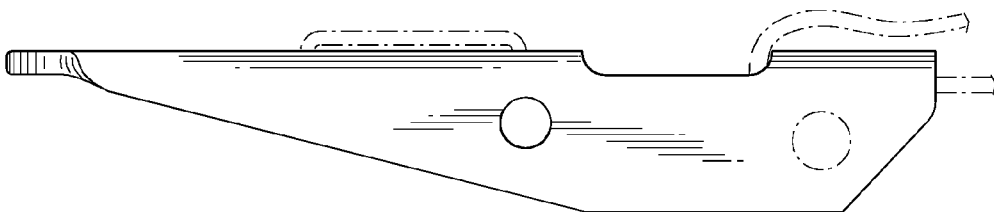


FIG.4

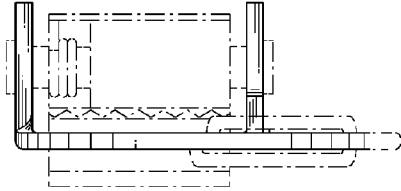


FIG.5

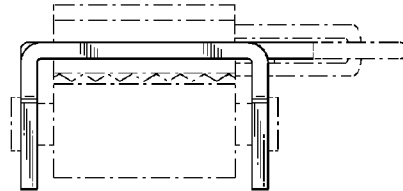


FIG.6

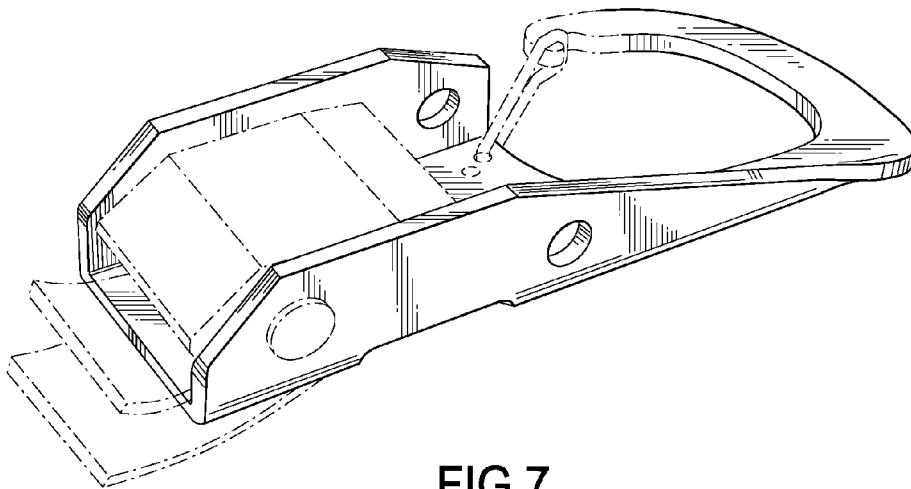


FIG.7

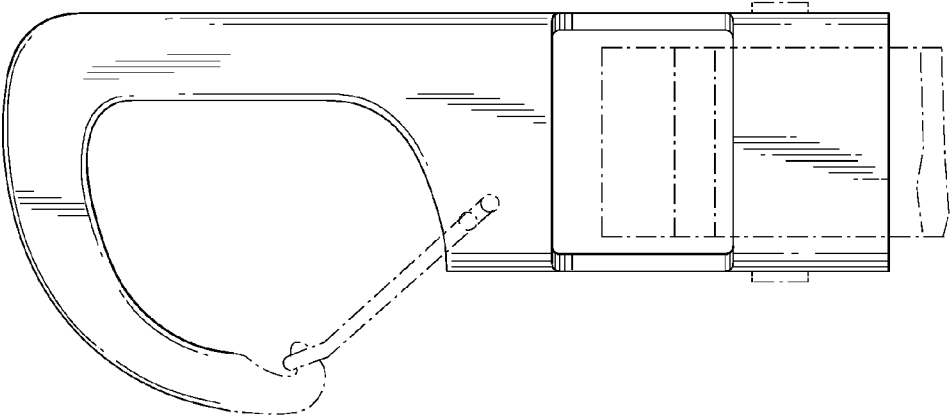


FIG. 8

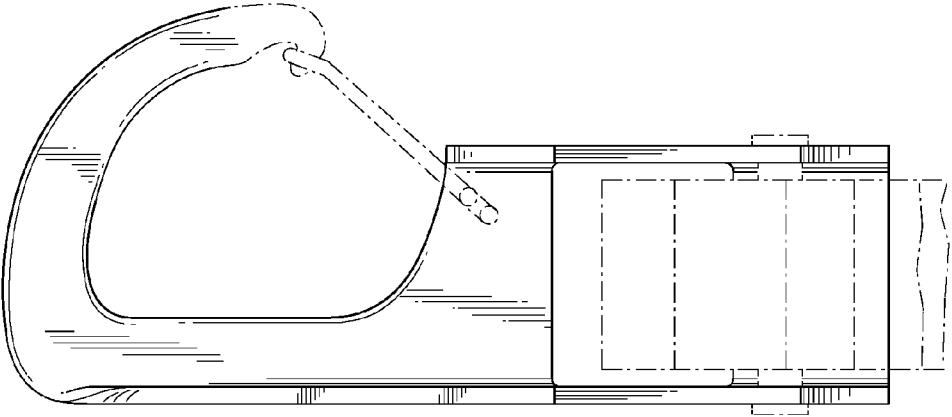


FIG. 9

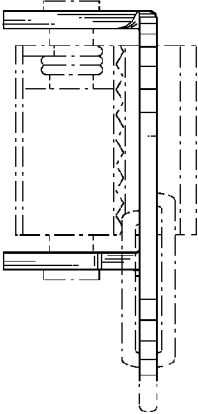


FIG. 10

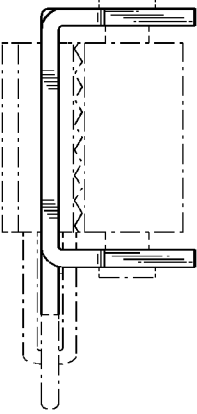


FIG. 11