



US00D668769S

(12) **United States Design Patent**
Schmitz

(10) **Patent No.:** **US D668,769 S**

(45) **Date of Patent:** **** Oct. 9, 2012**

(54) **FOOT BATH**

(75) Inventor: **Ingo Schmitz**, Duisburg (DE)

(73) Assignee: **WIK Far East Ltd.**, Hong Kong (CN)

(**) Term: **14 Years**

(21) Appl. No.: **29/406,485**

(22) Filed: **Nov. 15, 2011**

(30) **Foreign Application Priority Data**

May 20, 2011 (EM) 001866385

(51) **LOC (9) Cl.** **28-03**

(52) **U.S. Cl.** **D24/204**

(58) **Field of Classification Search** D24/200–205,
D24/212, 213; D28/56, 61; D6/336, 495;
601/6, 15, 64, 157–158, 30–32, 19; 607/44;
4/622, 574.1; D32/53
See application file for complete search history.

(56) **References Cited**

U.S. PATENT DOCUMENTS

3,837,334	A *	9/1974	Johnson	601/19
3,965,495	A	6/1976	McNair		
D242,292	S	11/1976	Miller et al.		
D248,667	S *	7/1978	Plugge	D24/204
D250,206	S	11/1978	Levin		
4,497,313	A	2/1985	Kurosawa		
4,513,735	A	4/1985	Friedson et al.		
D285,003	S	8/1986	Madl		
D327,949	S	7/1992	Bucher		
D363,555	S	10/1995	Lie		
D405,535	S	2/1999	Schulz		
D419,682	S *	1/2000	Lie	D24/213
D453,836	S	2/2002	Gillette et al.		
D455,498	S *	4/2002	Gillette et al.	D24/213
6,385,795	B1	5/2002	Ferber et al.		
6,405,390	B2	6/2002	Kuen		
6,568,000	B1	5/2003	Kaufman et al.		
6,725,471	B2	4/2004	Ferber et al.		

D506,830	S	6/2005	Zimmermann		
6,916,297	B2	7/2005	Hafemann		
D530,870	S *	10/2006	Lauer	D32/53
D531,732	S *	11/2006	Bean et al.	D24/213
D541,424	S *	4/2007	Cafaro	D24/212
D541,944	S *	5/2007	Chang	D24/213
7,367,067	B2 *	5/2008	Watanabe et al.	4/622
D619,268	S *	7/2010	Sugiyama et al.	D24/212
D633,675	S *	3/2011	Libman et al.	D32/53
7,900,296	B2 *	3/2011	Lev et al.	4/622
2005/0235412	A1 *	10/2005	Lev et al.	4/622

FOREIGN PATENT DOCUMENTS

DE	2932916	3/1981
DE	20112359	11/2001

* cited by examiner

Primary Examiner — David Muller

(74) *Attorney, Agent, or Firm* — Margaret Polson; Oppedahl Patent Law Firm LLC

(57) **CLAIM**

The ornamental design for a foot bath, as shown and described.

DESCRIPTION

FIG. 1 is a rear perspective view of my new design for a foot bath, with the handle retracted.

FIG. 2 is a front perspective view thereof, with the handle extended:

FIG. 3 is a rear elevation view of the foot bath with the handle retracted;

FIG. 4 is a front elevation view thereof;

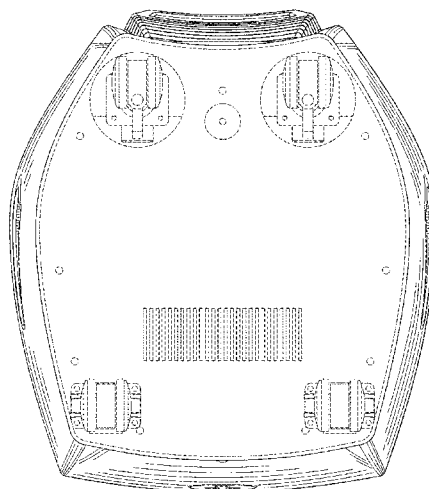
FIG. 5 is a side elevation view thereof, the opposite side being a mirror image;

FIG. 6 is a top side plan view thereof; and,

FIG. 7 is a bottom plan view thereof.

The features shown in broken lines in the drawing depict environmental subject matter only and form no part of the claimed design.

1 Claim, 7 Drawing Sheets



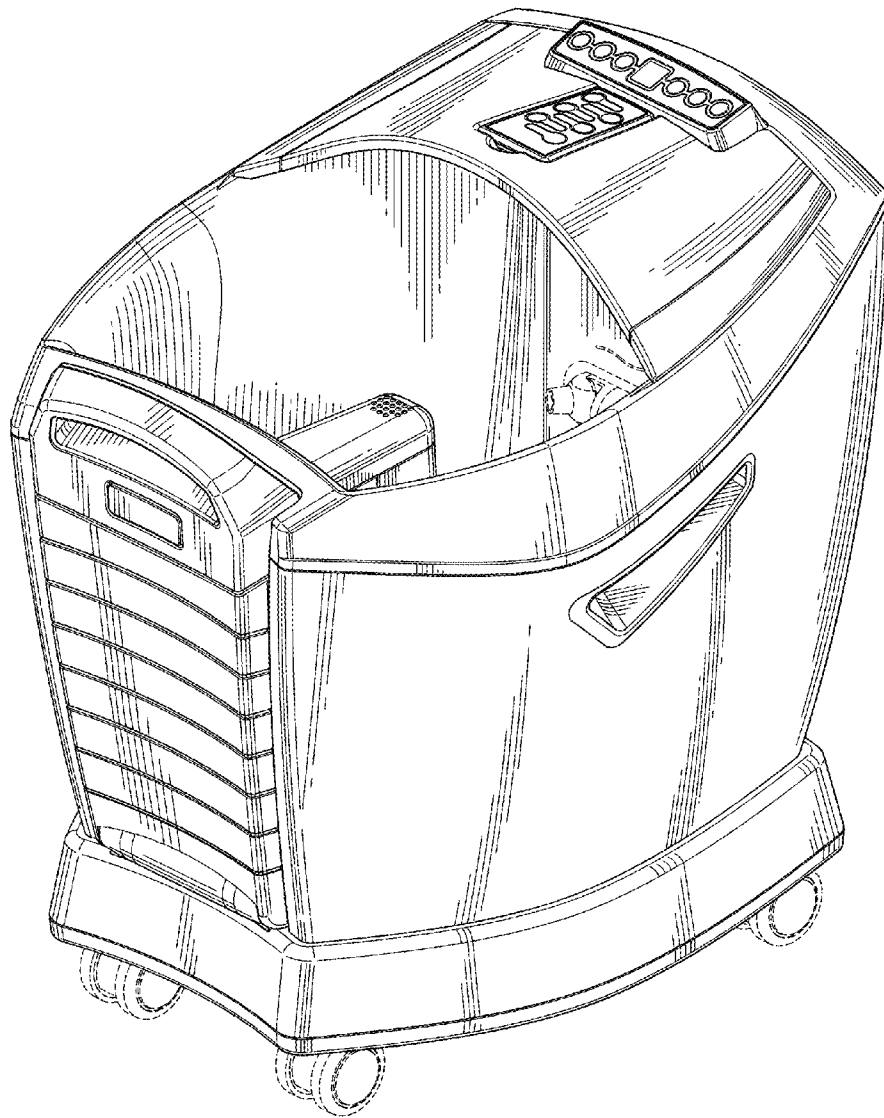


FIG.1

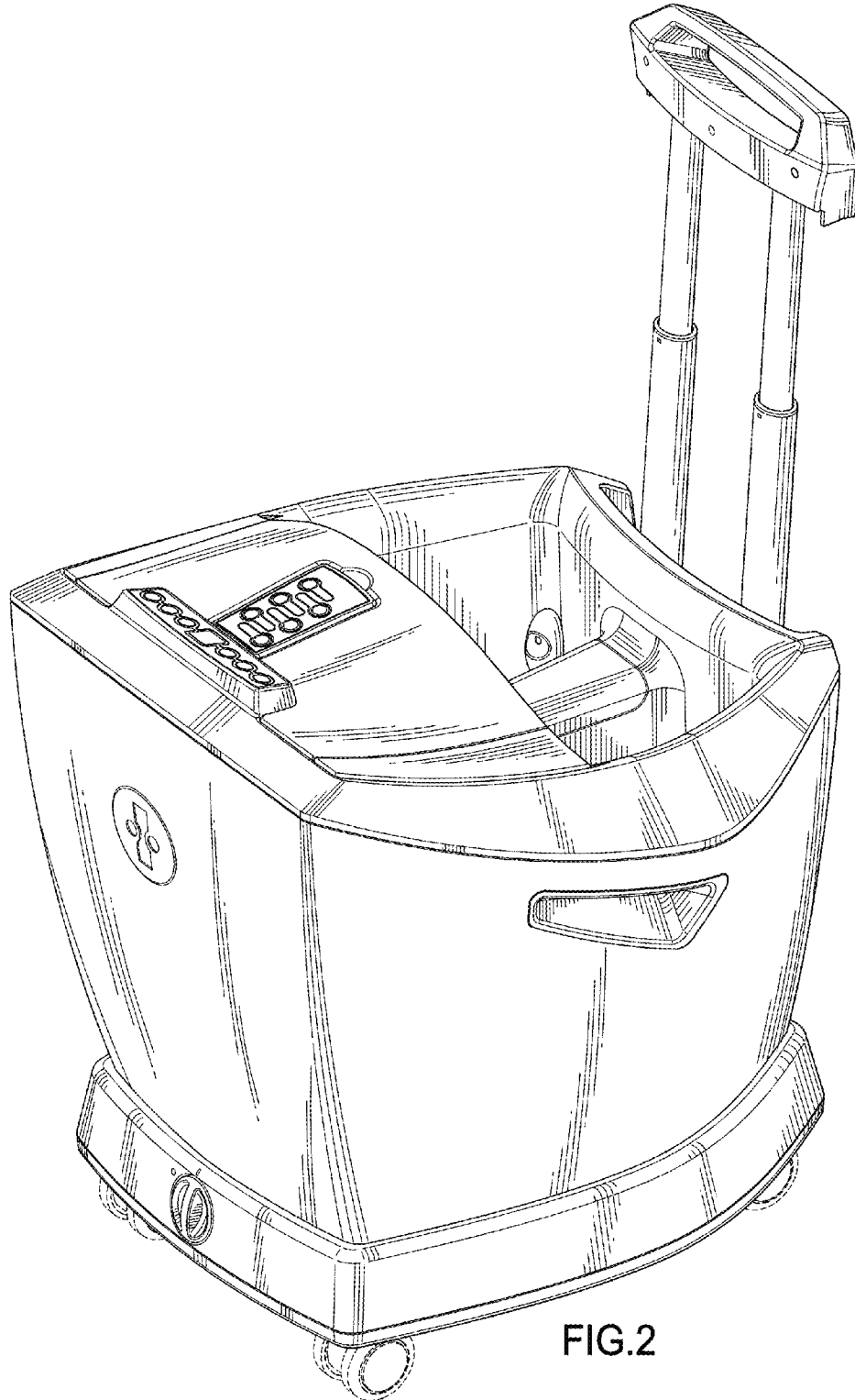


FIG. 2

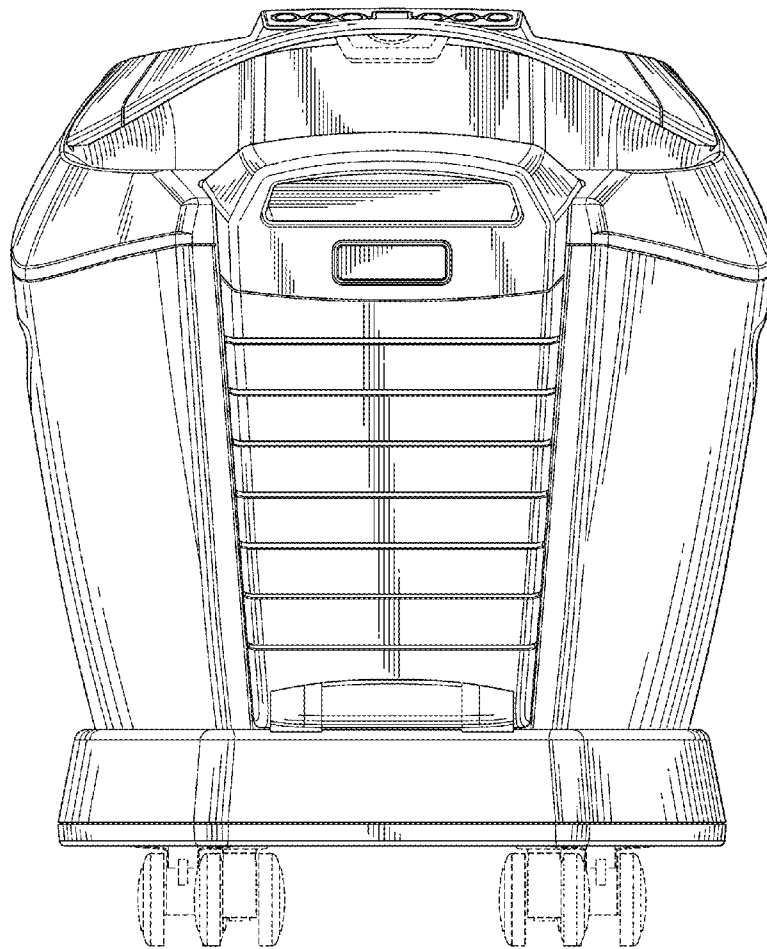


FIG.3

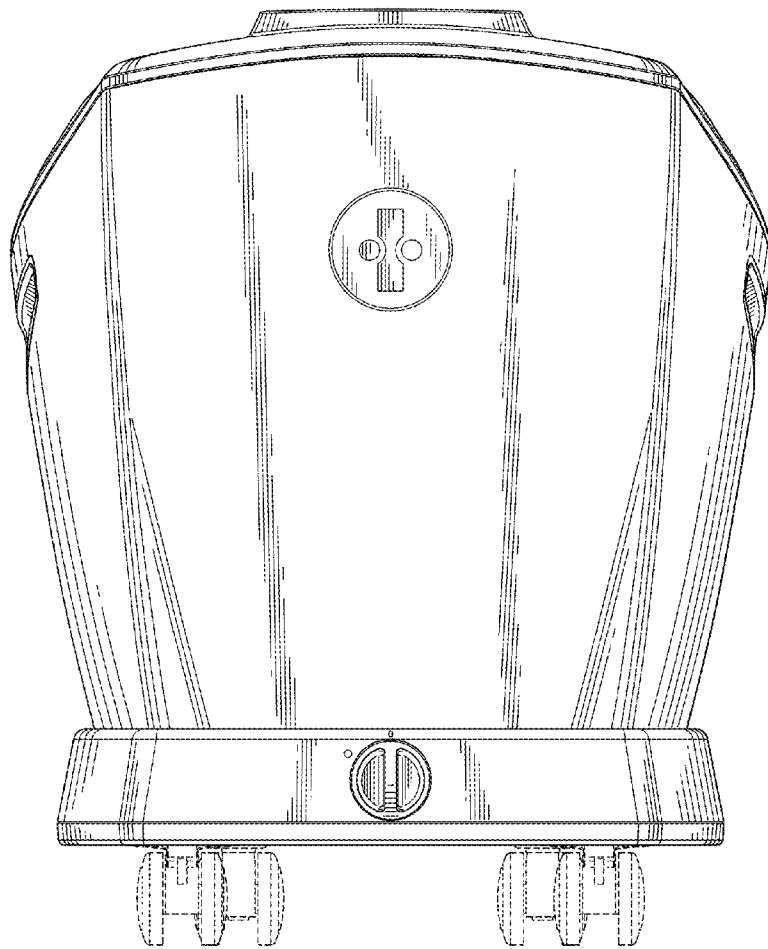


FIG.4

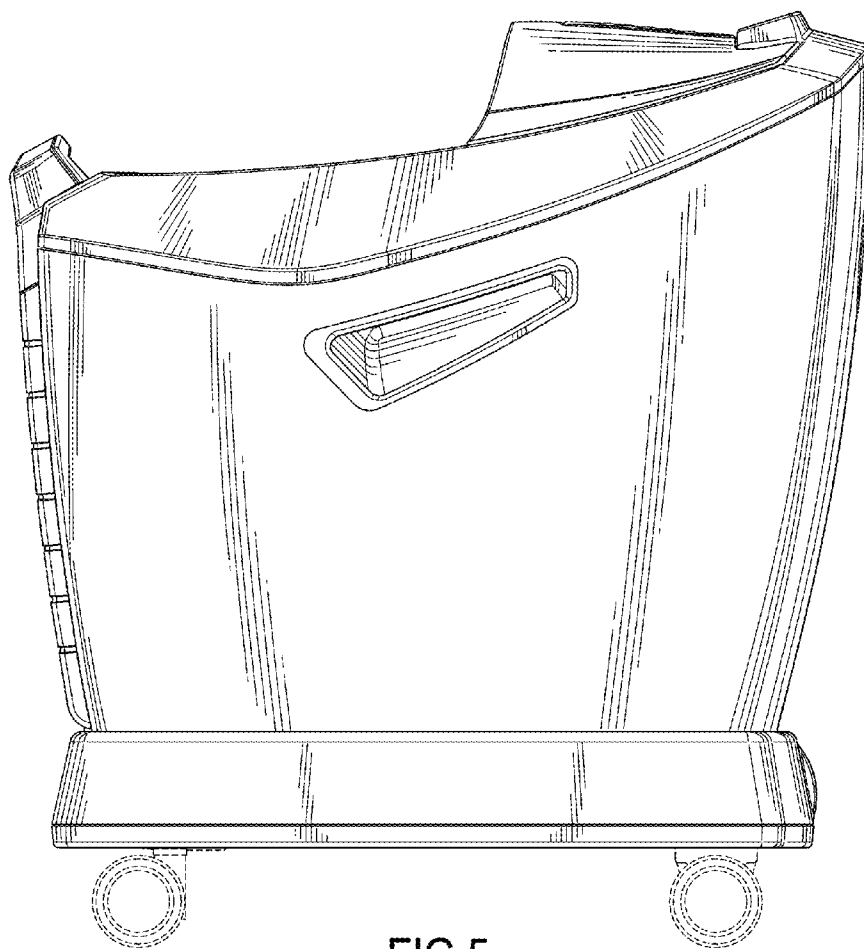


FIG.5

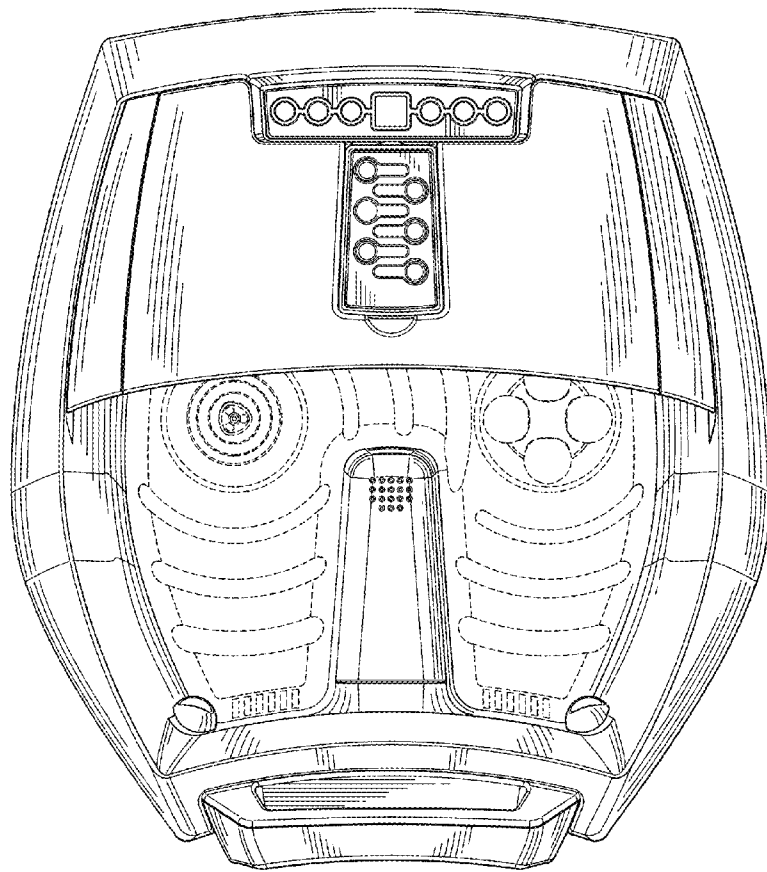


FIG.6

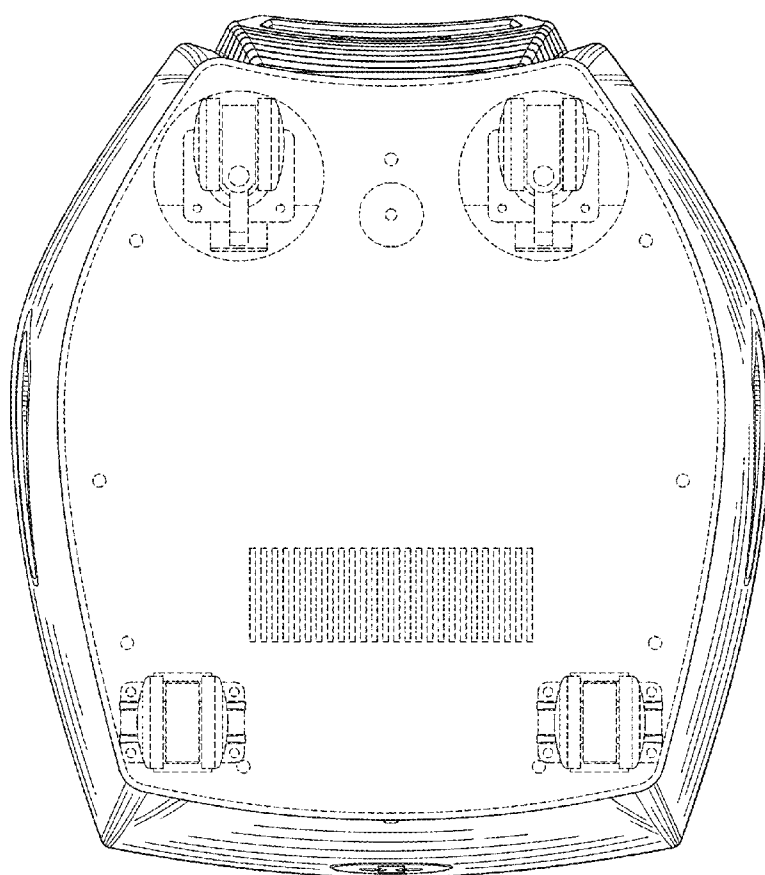


FIG.7