



US00D667603S

(12) **United States Design Patent**
Walter

(10) **Patent No.:** **US D667,603 S**

(45) **Date of Patent:** **** Sep. 18, 2012**

(54) **RETENTION FLAP FOR USE WITH A CART**

(75) Inventor: **Ivor Michel Walter**, Boulder, CO (US)

(73) Assignee: **AMSA, Inc.**, Boulder, CO (US)

(**) Term: **14 Years**

(21) Appl. No.: **29/420,885**

(22) Filed: **May 14, 2012**

Related U.S. Application Data

(62) Division of application No. 29/380,964, filed on Dec. 14, 2010, now Pat. No. Des. 660,542.

(51) **LOC (9) Cl.** **12-02**

(52) **U.S. Cl.** **D34/27**

(58) **Field of Classification Search** D34/12-27;
280/33.991, 33.992, 47.34, 79.11, 79.2, 33.997,
280/33.998, 33.996, 33.995, 47.35, 651,
280/659, 79.3; 297/256.17, 473; 40/308,
40/395

See application file for complete search history.

(56) **References Cited**

U.S. PATENT DOCUMENTS

D102,991 S *	2/1937	Nelson	D7/395
D178,445 S *	7/1956	Young	D34/27
2,964,326 A *	12/1960	Schray	280/33.993
D246,301 S *	11/1977	Trubiano	D12/129
4,065,142 A *	12/1977	Rehrig	280/33.993
4,125,270 A *	11/1978	Trubiano	280/33.993
4,176,849 A *	12/1979	Rehrig	280/33.993
4,643,280 A *	2/1987	Hensley	190/11
D288,619 S *	3/1987	Trubiano	D34/27
4,742,943 A *	5/1988	Trubiano	224/277
4,949,997 A *	8/1990	Champagne	281/45
D314,269 S *	1/1991	Trubiano	D34/19
D338,149 S *	8/1993	Adams	D8/107
5,265,893 A *	11/1993	Ettlin	280/33.992
5,348,323 A *	9/1994	Trubiano	280/33.993
5,368,318 A *	11/1994	Rehrig et al.	280/33.993
5,401,042 A *	3/1995	Ruger	280/33.997
5,435,582 A	7/1995	Davidson	

D363,589 S *	10/1995	Laffleur et al.	D34/21
5,507,507 A	4/1996	Davidson	
D377,255 S *	1/1997	Rehrig	D34/27
5,702,114 A	12/1997	Downing et al.	
D411,904 S *	7/1999	Risholm et al.	D34/27
5,961,133 A	10/1999	Perry	
D443,968 S *	6/2001	Porter	D34/27
D445,231 S *	7/2001	Porter	D34/27
D453,077 S *	1/2002	Chen	D4/138
D492,829 S *	7/2004	Babkes et al.	D34/27
D523,207 S *	6/2006	Tucker et al.	D34/27
7,237,782 B2 *	7/2007	Tucker et al.	280/33.991
D550,423 S	9/2007	Splain et al.	
D584,023 S	12/2008	Walter	
D588,774 S *	3/2009	Peota et al.	D34/27
D639,521 S	6/2011	Walter	
D644,393 S	8/2011	Walter	

(Continued)

OTHER PUBLICATIONS

Technibilt 5640 Scan of website [http://www.technibilt.com/carts/detail.php?id=28] showing prior art cart manufactured by Techibilt. Cart shown is admitted prior art to current design by Applicant.

(Continued)

Primary Examiner — Cynthia Ramirez

(74) *Attorney, Agent, or Firm* — Margaret Polson; Oppedahl Patent Law Firm LLC

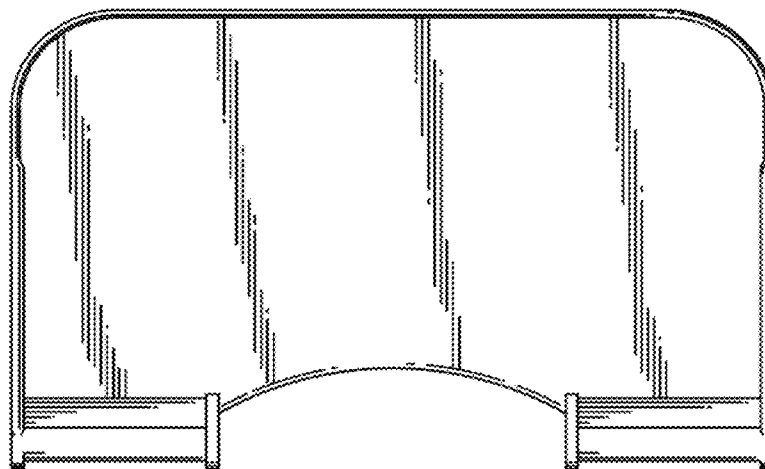
(57) **CLAIM**

The ornamental design for retention flap for use with a cart, as shown and described.

DESCRIPTION

FIG. 1 is a top plan view of the retention flap for use with a cart showing the new design;
FIG. 2 is a bottom plan view thereof;
FIG. 3 is a perspective view thereof;
FIG. 4 is a rear view thereof;
FIG. 5 is a front view thereof;
FIG. 6 is a right elevation view thereof; and,
FIG. 7 is a left elevation view thereof.

1 Claim, 2 Drawing Sheets



US D667,603 S

Page 2

U.S. PATENT DOCUMENTS

D644,809	S	9/2011	Walter	
D645,222	S	9/2011	Walter	
D645,631	S	9/2011	Walter	
D648,914	S	11/2011	Walter	
D648,915	S	11/2011	Walter	
2003/0151219	A1	8/2003	Simard	
2004/0051263	A1	3/2004	Prather et al.	
2006/0273536	A1 *	12/2006	Ondrasik	280/33.991
2008/0265534	A1 *	10/2008	Ondrasik	280/33.991
2009/0261545	A1 *	10/2009	Jones	280/33.994
2010/0078902	A1 *	4/2010	Lee et al.	280/33.992

OTHER PUBLICATIONS

U.S. Appl. No. 29/410,149, filed Jan. 4, 2012; Inventor: Ivor Michel Walter.

U.S. Appl. No. 29/417,407, filed Apr. 3, 2012; Inventor: Ivor Michel Walter.

U.S. Appl. No. 13/458,438, filed Apr. 27, 2012; Inventor: Ivor Michel Walter.

U.S. Appl. No. 29/419,452, filed Apr. 27, 2012; Inventor: Ivor Michel Walter.

VersaCart Systems Child Seat for EXpress Cart (old version) Drawing and photos of previous version of a child seat for use in a shopping cart. This version of the child seat was publicly displayed in Apr. 2007 (4 pages).

VersaCart Systems Child Seat for EXpress Cart (version 1) Photos of previous version of a child seat for use in a shopping cart. This version of the child seat was publicly displayed in Oct. 2009 (3 pages).

* cited by examiner

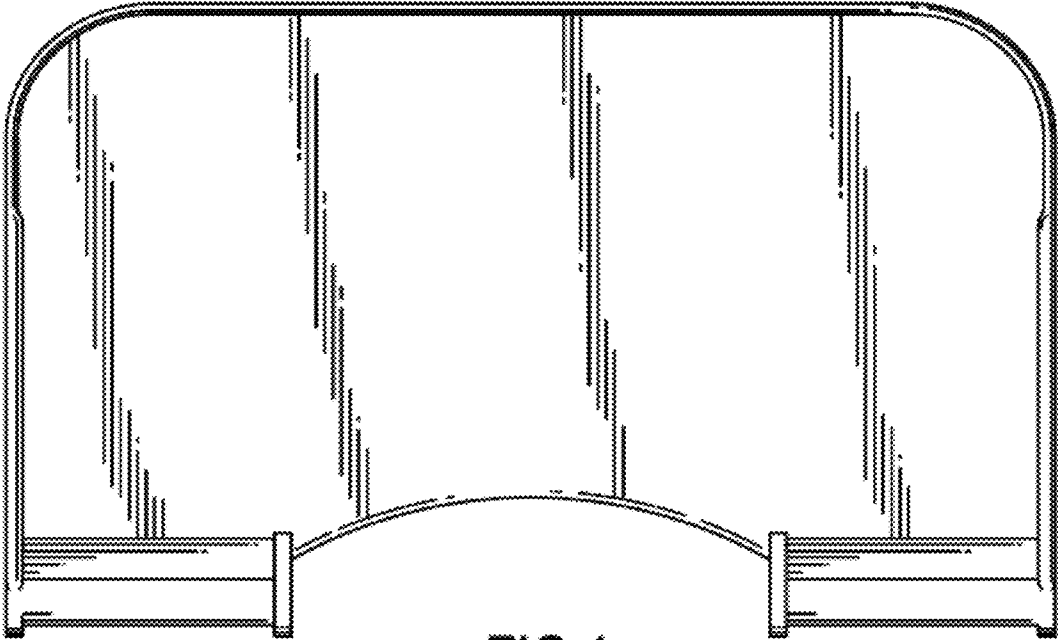


FIG.1

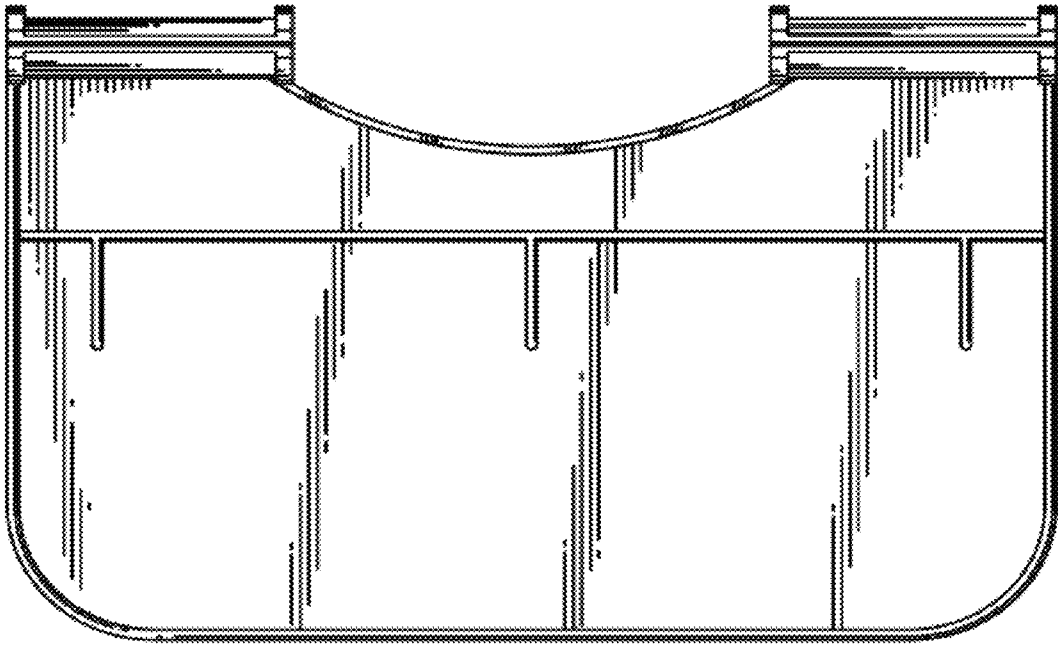


FIG.2

