



US00D666346S

(12) **United States Design Patent**  
**Gebhard et al.**

(10) **Patent No.:** **US D666,346 S**

(45) **Date of Patent:** **\*\* Aug. 28, 2012**

(54) **SEARCHLIGHT**

(75) Inventors: **Albert W. Gebhard**, Denver, CO (US);  
**Gerald L. Gohl**, Culbertson, NE (US);  
**Colton D. Hosick**, Culbertson, NE (US)

(73) Assignee: **Golight, Inc.**, Culbertson, NE (US)

(\*\*) Term: **14 Years**

(21) Appl. No.: **29/410,146**

(22) Filed: **Jan. 4, 2012**

(51) **LOC (9) Cl.** ..... **26-05**

(52) **U.S. Cl.** ..... **D26/63; D14/371**

(58) **Field of Classification Search** ..... D26/60-66,  
D26/51, 93, 94, 102, 104, 106, 28, 35; D14/336,  
D14/337, 371; 362/33, 35, 145, 187, 188,  
362/257, 267, 268, 310, 311.06, 322, 372,  
362/253, 233, 460, 477, 157, 158, 190, 269,  
362/270, 277, 282, 285, 287, 288, 410-414,  
362/418, 800, 806, 427, 449, 430, 227, 232,  
362/249.02-249.04, 249.07, 249.1, 249.11,  
362/236, 240

See application file for complete search history.

(56) **References Cited**

U.S. PATENT DOCUMENTS

3,936,670 A	2/1976	Allen, Sr.	
D239,315 S	3/1976	Satoh	
D254,094 S *	1/1980	Jaksich	..... D26/63
4,323,953 A	4/1982	Hutchison	
D269,464 S	6/1983	Caroli	
4,428,033 A	1/1984	McBride	
5,019,951 A	5/1991	Osterhout et al.	
D320,462 S	10/1991	Williams et al.	
D322,136 S	12/1991	Shima et al.	
D327,953 S	7/1992	Jordan	
D347,704 S	6/1994	Thompson et al.	

D351,243 S	10/1994	Williams et al.	
5,490,046 A	2/1996	Gohl et al.	
5,584,560 A	12/1996	Gosswiller et al.	
5,673,989 A	10/1997	Gohl et al.	
5,806,956 A	9/1998	Hyun-Jo	
6,499,867 B1	12/2002	Neal	
6,558,029 B2	5/2003	Spring, Jr.	
D515,228 S	2/2006	Gebhard et al.	
D556,353 S	11/2007	Gebhard et al.	
D582,084 S	12/2008	Gebhard et al.	
7,638,970 B1	12/2009	Gebhard et al.	
7,862,197 B2	1/2011	Gebhard	
D646,822 S *	10/2011	Johannessen et al.	..... D26/63
2008/0089060 A1 *	4/2008	Kondo et al.	..... 362/231

\* cited by examiner

*Primary Examiner* — Susan M Lee

*Assistant Examiner* — Linda G. Brooks

(74) *Attorney, Agent, or Firm* — Margaret Polson; Oppedahl Patent Law Firm LLC

(57) **CLAIM**

The ornamental design for a searchlight, as shown and described.

**DESCRIPTION**

FIG. 1 is a front perspective view of our new design for a searchlight, the screws holding the faceplate on are shown in dotted lines and do not form part of the claimed design.

FIG. 2 is a front elevation view of FIG. 1.

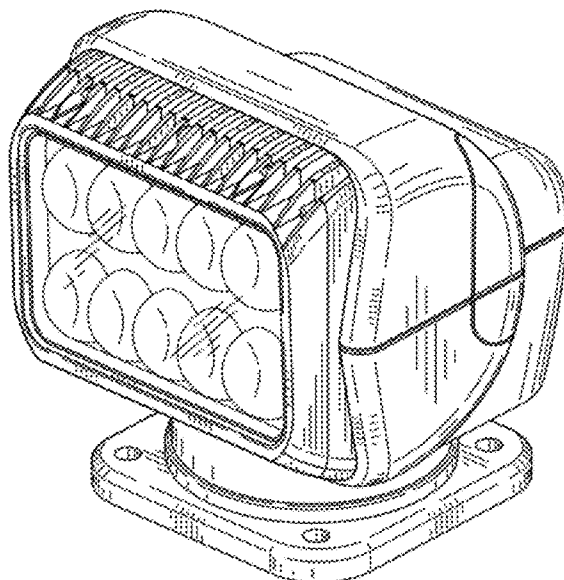
FIG. 3 is a back elevation view of FIG. 1.

FIG. 4 is a side elevation view, which are mirror images thereof, of the right and left sides of FIG. 1.

FIG. 5 is a top plan view of FIG. 1; and,

FIG. 6 is a bottom plan view of FIG. 1. The bottom surface of the base is shown in dotted lines and is not part of the claimed design.

**1 Claim, 3 Drawing Sheets**



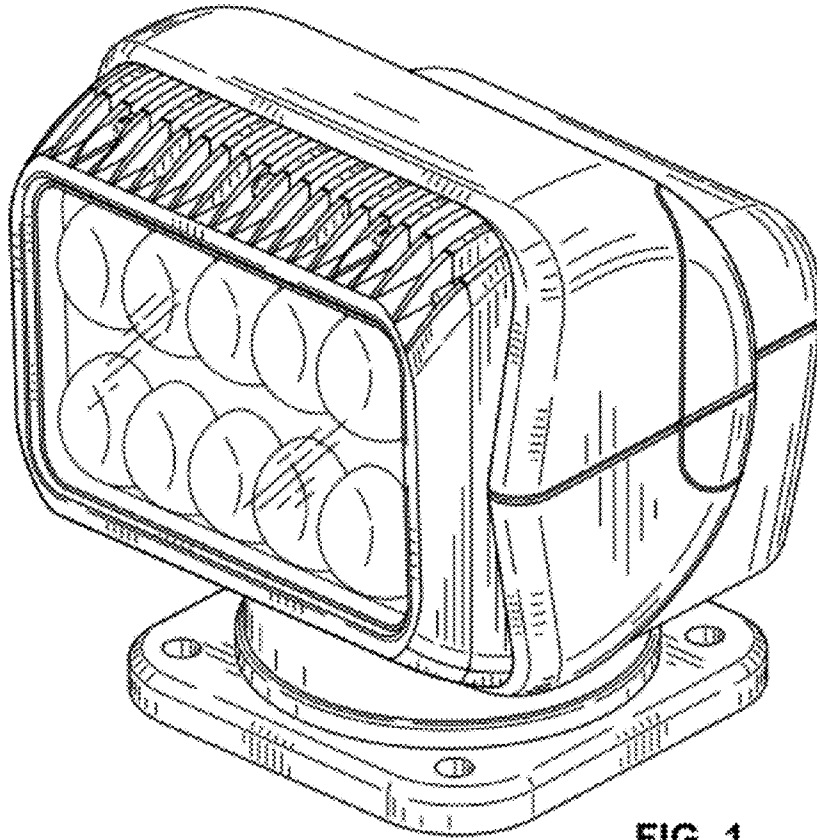


FIG. 1

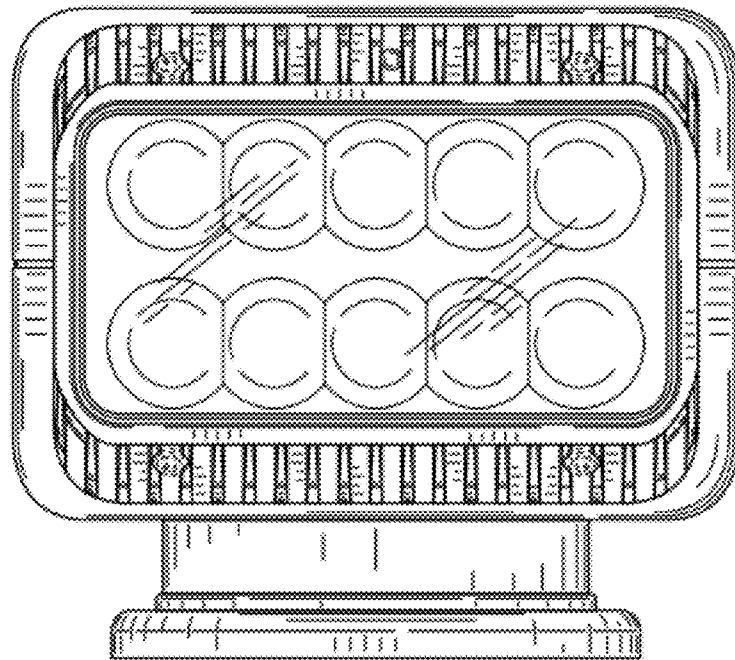


FIG. 2

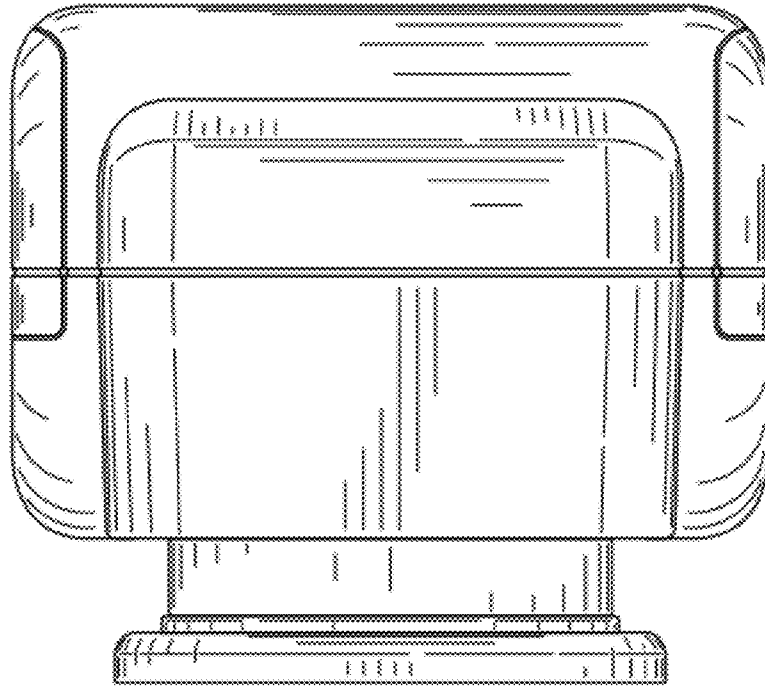


FIG. 3

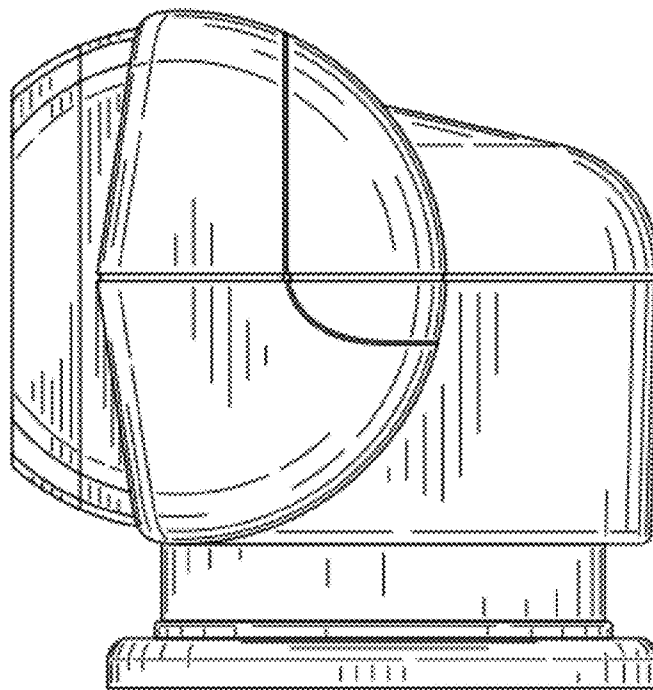


FIG. 4

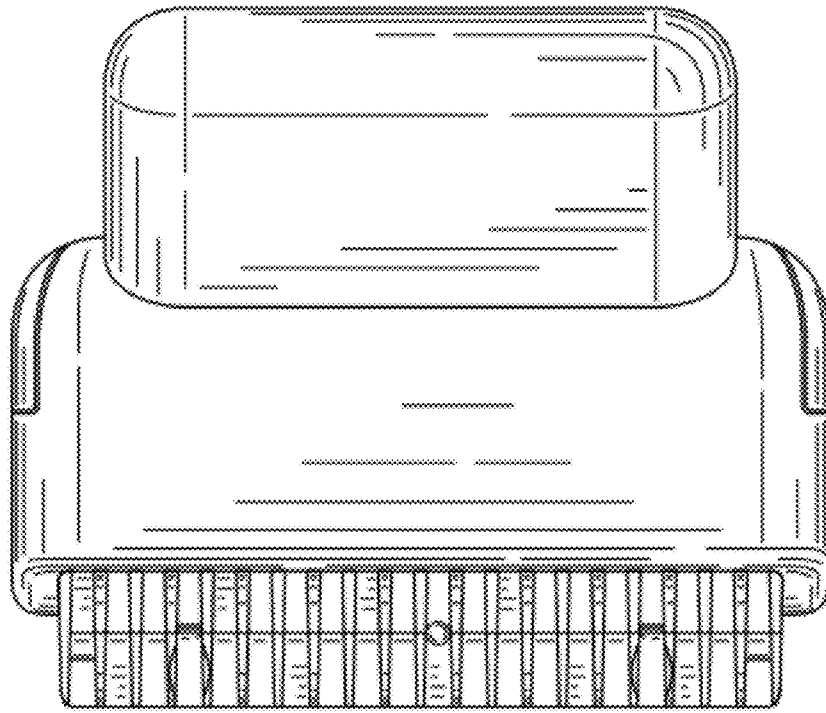


FIG. 5

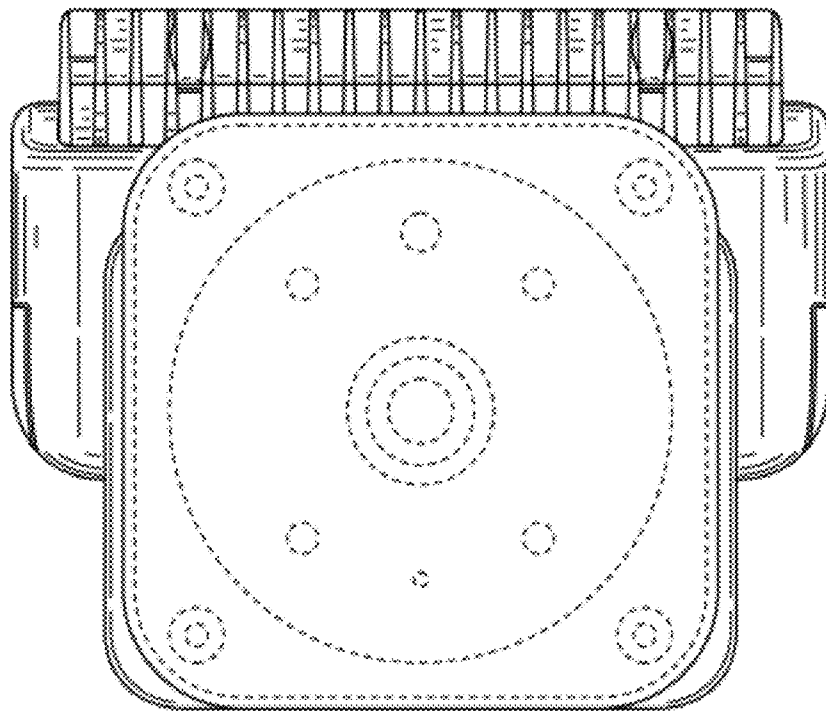


FIG. 6