



US00D665962S

(12) **United States Design Patent**  
**Walter**

(10) **Patent No.:** **US D665,962 S**  
(45) **Date of Patent:** **\*\* Aug. 21, 2012**

(54) **CART PORTION**

(75) Inventor: **Ivor Michel Walter**, Boulder, CO (US)

(73) Assignee: **AMSA, Inc.**, Boulder, CO (US)

(\*\*) Term: **14 Years**

(21) Appl. No.: **29/410,150**

(22) Filed: **Jan. 4, 2012**

(51) **LOC (9) Cl.** ..... **12-02**

(52) **U.S. Cl.** ..... **D34/27**

(58) **Field of Classification Search** ..... D34/12-27;  
280/33.991, 33.996, 33.992, 33.995, 33.997,  
280/47.34, 47.35

See application file for complete search history.

(56) **References Cited**

**U.S. PATENT DOCUMENTS**

D282,499 S	2/1986	Alstrom	
5,203,578 A	4/1993	Davidson et al.	
D363,589 S	10/1995	Laffleur et al.	
6,406,041 B1	6/2002	Rea	
D538,501 S *	3/2007	Walter	D34/21
D583,523 S	12/2008	Deal et al.	
D606,723 S *	12/2009	Walter	D34/21
D633,269 S *	2/2011	Walter	D34/21
D638,602 S *	5/2011	Walter	D34/21
D639,521 S	6/2011	Walter	
D643,175 S	8/2011	Peota et al.	
D644,393 S	8/2011	Walter	
D644,809 S *	9/2011	Walter	D34/21
D645,222 S *	9/2011	Walter	D34/21
D645,631 S	9/2011	Walter	
D646,041 S *	9/2011	Berthiaume et al.	D34/27
D648,915 S *	11/2011	Walter	D34/21
D660,542 S *	5/2012	Walter	D34/27

**OTHER PUBLICATIONS**

Peggs KNM075GT Scan of website [http://www.thepeggscompany.com/shopping\_carts/large view/2\_tier.html] showing prior art cart manufactured by Peggs.

Technibilt 5141-D Scan of website [http://www.technibilt.com/carts/detail.php?id=36] showing prior art cart manufactured by Techibilt. Technibilt 5341 Scan of website [http://www.technibilt.com/carts/detail.php?id=30] showing prior art cart manufactured by Techibilt. Technibilt 5640 Scan of website [http://www.technibilt.com/carts/detail.php?id=28] showing prior art cart manufactured by Techibilt.

\* cited by examiner

*Primary Examiner* — Cynthia Ramirez

(74) *Attorney, Agent, or Firm* — Margaret Polson; Oppedahl Patent Law Firm LLC

(57) **CLAIM**

The ornamental design for a cart portion, as shown and described.

**DESCRIPTION**

FIG. 1 is a front perspective view of a cart portion showing my new design;

FIG. 2 is a front perspective view of the cart portion as denoted in FIG. 1.

FIG. 3 is a side elevation view of the right and left sides, which are mirror images, of FIG. 2.

FIG. 4 is a front side elevation view of FIG. 2.

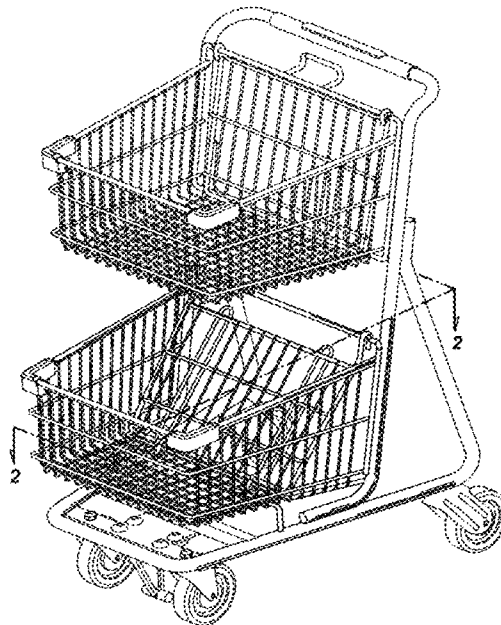
FIG. 5 is a back side elevation view of FIG. 2.

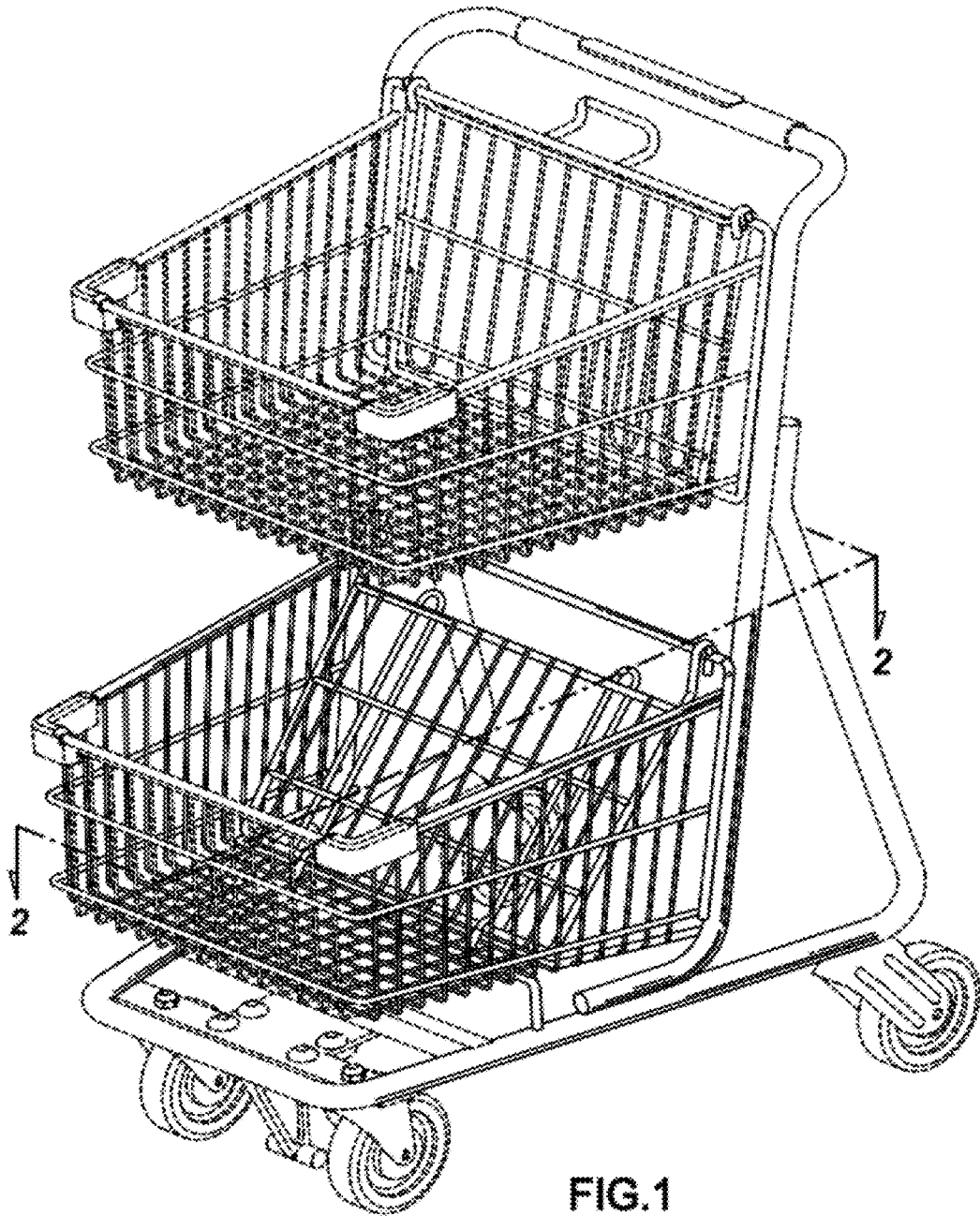
FIG. 6 is a top plan view of FIG. 2; and,

FIG. 7 is a bottom plan view of FIG. 2.

The broken lines in FIGS. 1-7 are to show environmental mater and are not part of the claimed design.

**1 Claim, 4 Drawing Sheets**





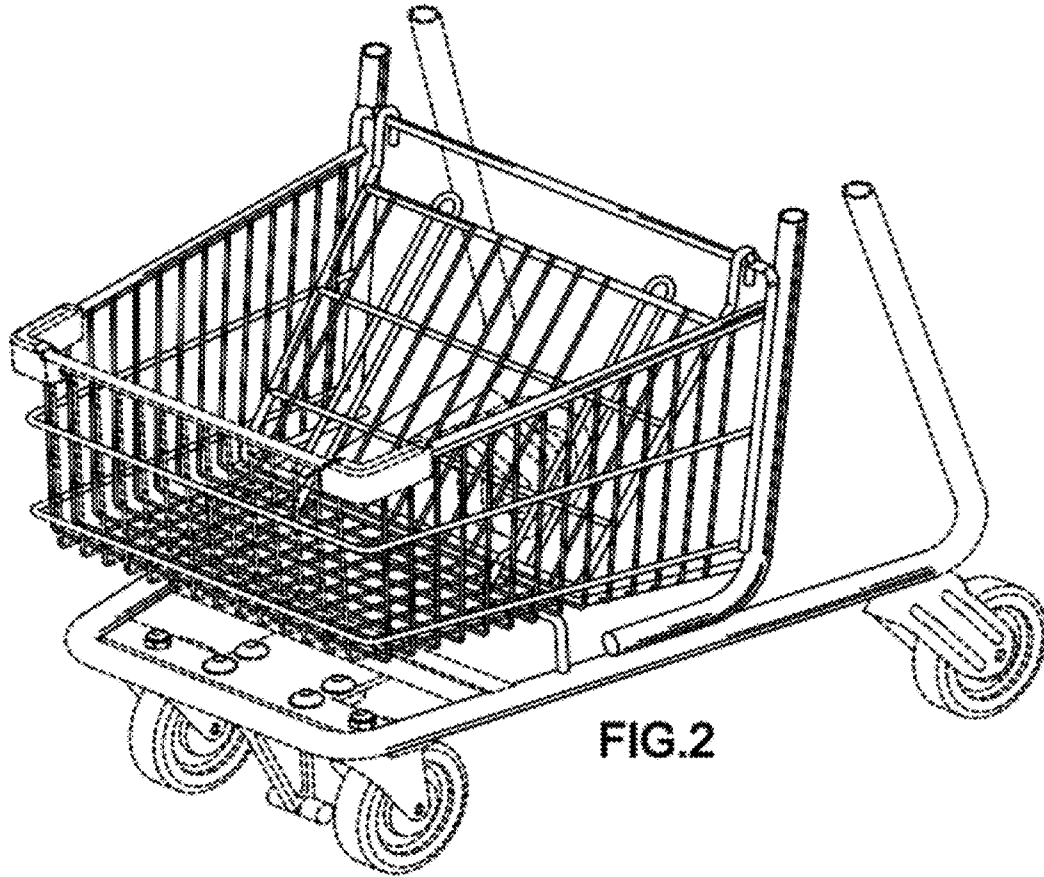


FIG. 2

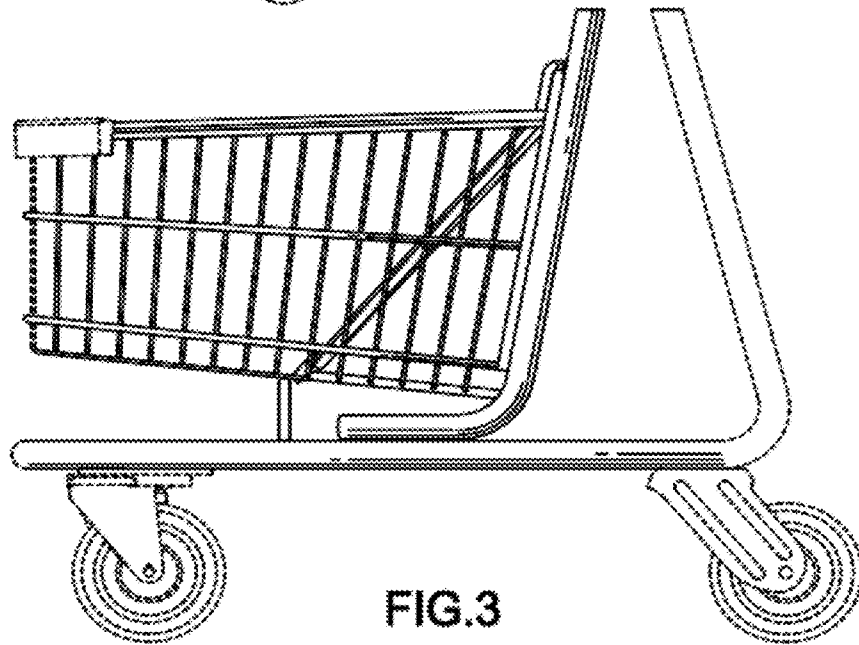


FIG. 3

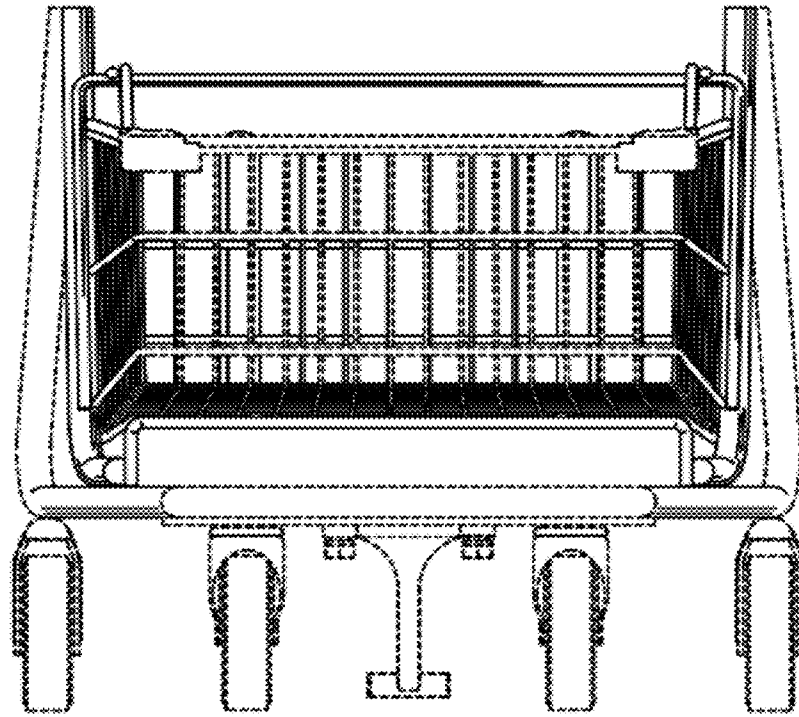


FIG. 4

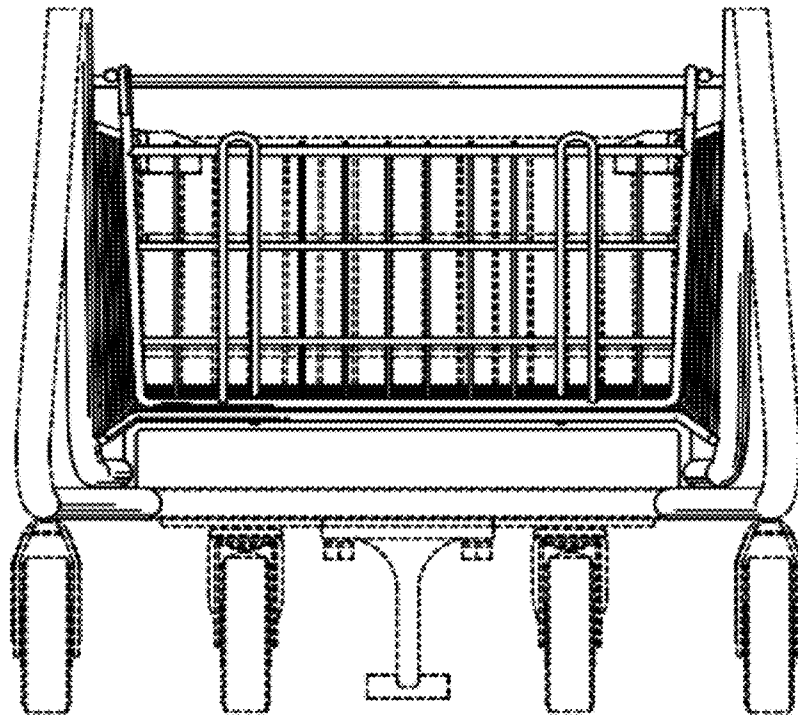


FIG. 5

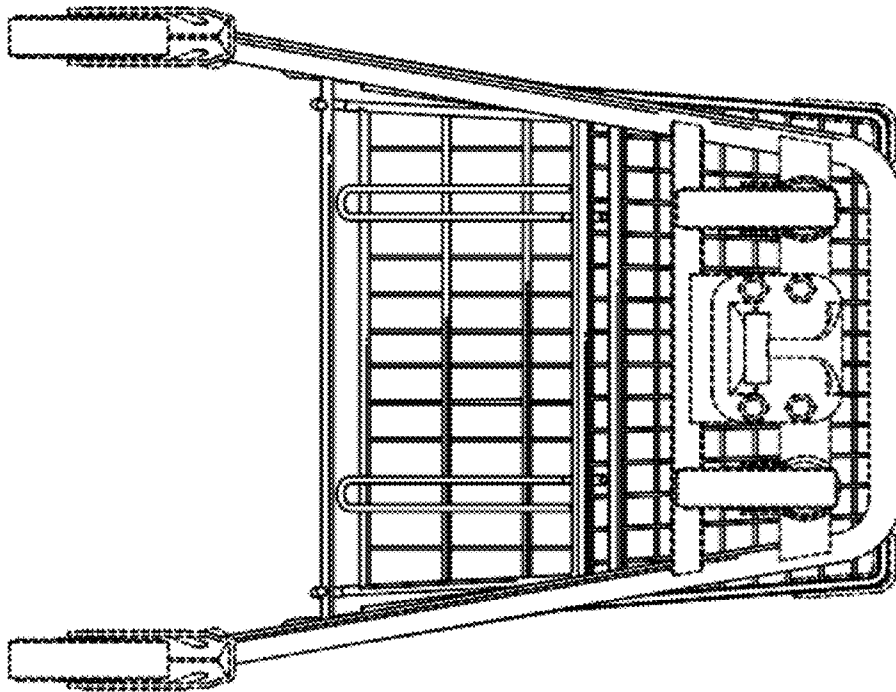


FIG.7

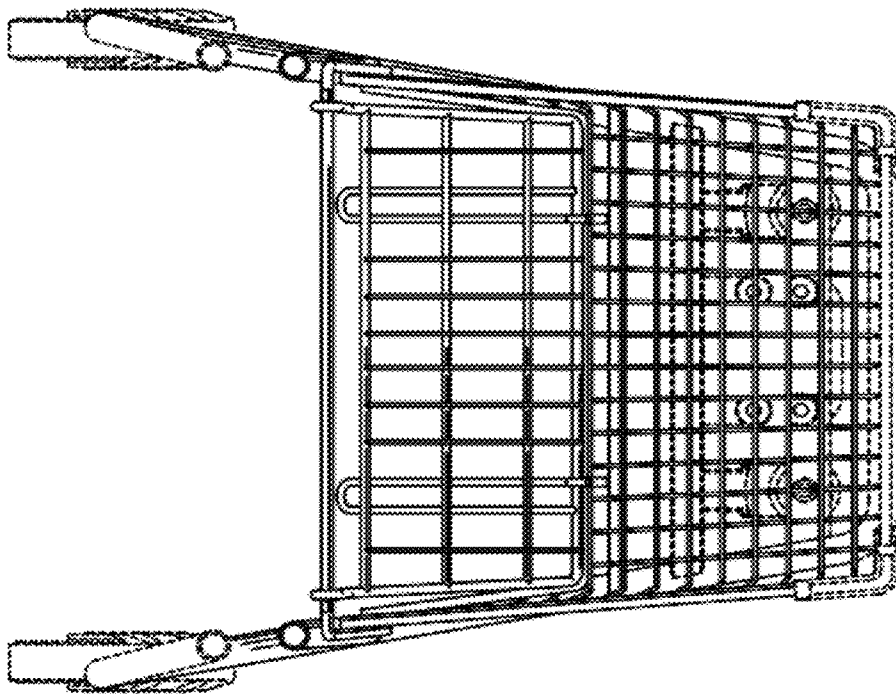


FIG.6