



US00D663091S

(12) **United States Design Patent**  
**Walter**

(10) **Patent No.:** **US D663,091 S**

(45) **Date of Patent:** **\*\* Jul. 3, 2012**

(54) **SET OF CART BASKETS**

(75) Inventor: **Ivor Michel Walter**, Boulder, CO (US)

(73) Assignee: **AMSA, Inc.**, Boulder, CO (US)

(\*\*) Term: **14 Years**

(21) Appl. No.: **29/416,158**

(22) Filed: **Mar. 19, 2012**

**Related U.S. Application Data**

(63) Continuation of application No. 29/388,157, filed on Mar. 24, 2011, now Pat. No. Des. 656,700.

(51) **LOC (9) Cl.** ..... **12-02**

(52) **U.S. Cl.** ..... **D34/27**

(58) **Field of Classification Search** ..... D34/12-27;  
280/33.992, 33.991, 33.993, 47.34, 79.11;  
220/334

See application file for complete search history.

(56) **References Cited**

**U.S. PATENT DOCUMENTS**

3,039,564 A 6/1962 Shaukis

(Continued)

**OTHER PUBLICATIONS**

Peggs KNM075GT Scan of website [[http://www.thepeggscompany.com/shopping\\_carts/large\\_view/2\\_tier.html](http://www.thepeggscompany.com/shopping_carts/large_view/2_tier.html)] showing prior art cart manufactured by Peggs.

(Continued)

*Primary Examiner* — Cynthia Ramirez

(74) *Attorney, Agent, or Firm* — Margaret Polson; Oppedahl Patent Law Firm LLC

(57) **CLAIM**

The ornamental design for a set of cart baskets, as shown and described.

**DESCRIPTION**

FIG. 1 is a front perspective view of the first embodiment for a set of cart baskets showing my new design; FIG. 2 is a side elevation view of the right and left sides, which are mirror images, of FIG. 1.

FIG. 3 is a front side elevation view of FIG. 1.

FIG. 4 is back side elevation view of FIG. 1.

FIG. 5 is a top plan view of FIG. 1.

FIG. 6 is a bottom plan view of FIG. 1.

FIG. 7 is a front perspective view of the second embodiment for a set of cart baskets showing my new design;

FIG. 8 is a side elevation view of the right and left sides, which are mirror images, of FIG. 7.

FIG. 9 is a front side elevation view of FIG. 7.

FIG. 10 is back side elevation view of FIG. 7.

FIG. 11 is a top plan view of FIG. 7.

FIG. 12 is a bottom plan view of FIG. 7.

FIG. 13 is a front perspective view of the third embodiment for a set of cart baskets showing my new design;

FIG. 14 is a side elevation view of the right and left sides, which are mirror images, of FIG. 13.

FIG. 15 is a front side elevation view of FIG. 13.

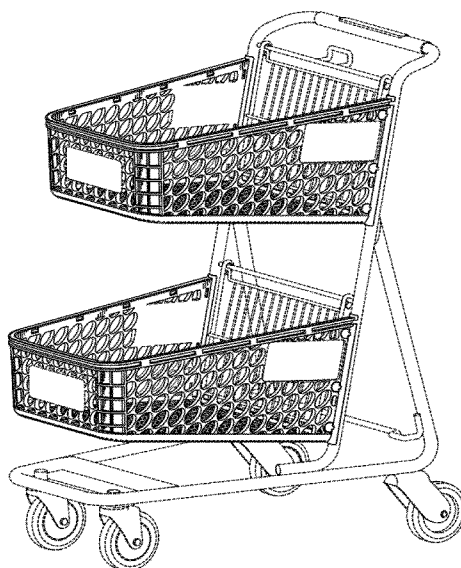
FIG. 16 is back side elevation view of FIG. 13.

FIG. 17 is a top plan view of FIG. 13; and,

FIG. 18 is a bottom plan view of FIG. 13.

The broken line showing of the frame, logo panel, bottom of the baskets and back gates is included for the purpose of illustrating elements of the cart and forms no part of the claimed design.

**1 Claim, 18 Drawing Sheets**



U.S. PATENT DOCUMENTS

4,632,411 A 12/1986 Badger  
 D294,419 S 2/1988 Rehrig  
 D346,473 S 4/1994 Hubble  
 D412,046 S 7/1999 Rehrig et al.  
 D426,365 S 6/2000 Rehrig et al.  
 6,126,181 A 10/2000 Ondrasik  
 6,533,297 B2 3/2003 Saccani  
 6,644,674 B2 11/2003 Simard  
 6,676,139 B1 1/2004 Saccani  
 6,932,363 B2 8/2005 D'Angelo  
 6,981,708 B1 1/2006 Tucker et al.  
 D528,732 S 9/2006 Hubbard et al.  
 D538,501 S 3/2007 Walter  
 D550,423 S 9/2007 Splain et al.  
 D556,413 S 11/2007 Splain et al.  
 D564,172 S 3/2008 Steinhobel  
 D580,619 S 11/2008 Walter  
 D583,523 S 12/2008 Deal et al.  
 D607,173 S 12/2009 Selvig et al.  
 D628,759 S 12/2010 Walter  
 D633,269 S 2/2011 Walter  
 D638,602 S 5/2011 Walter  
 D644,809 S 9/2011 Walter  
 D645,222 S 9/2011 Walter  
 D651,655 S 1/2012 Walter  
 D656,288 S 3/2012 Walter

D656,700 S \* 3/2012 Walter ..... D34/27  
 2001/0022436 A1 9/2001 Simard  
 2003/0151219 A1 8/2003 Simard

OTHER PUBLICATIONS

Plasti-Cart Max 200 Scan of website [<http://www.plasti-cart.com/upload/assets/AllPlasticMax200.pdf>] showing prior art cart manufactured by Plasti-Cart.  
 Supercart neXus Scan of website [<http://supercart.com/data/products/627854469nexus.pdf>] showing prior art cart manufactured by Supercart.  
 Supercart XL 200 Scan of website [[http://supercart.com/data/products/1388572286xlcarrie\(x1200\).pdf](http://supercart.com/data/products/1388572286xlcarrie(x1200).pdf)] showing prior art cart manufactured by Supercart.  
 Technibilt 5141-D Scan of website [<http://www.technibilt.com/carts/detail.php?id=36>] showing prior art cart manufactured by Techibilt.  
 Technibilt 5341 Scan of website [<http://www.technibilt.com/carts/detail.php?id=30>] showing prior art cart manufactured by Techibilt.  
 Technibilt 5640 Scan of website [<http://www.technibilt.com/carts/detail.php?id=28>] showing prior art cart manufactured by Techibilt.  
 Unarco PC-41U Scan of website [<http://unarco.com/PC41U.pdf>] showing prior art cart manufactured by Unarco.  
 Wanzl Tango Scan of website [[http://wanzl.com/000/En/Home/Products/Self-Service\\_systems/Shopping\\_Trolleys/Shopping\\_Trolley\\_Series/Tango.html](http://wanzl.com/000/En/Home/Products/Self-Service_systems/Shopping_Trolleys/Shopping_Trolley_Series/Tango.html)] showing prior art cart manufactured by Wanzl.

\* cited by examiner

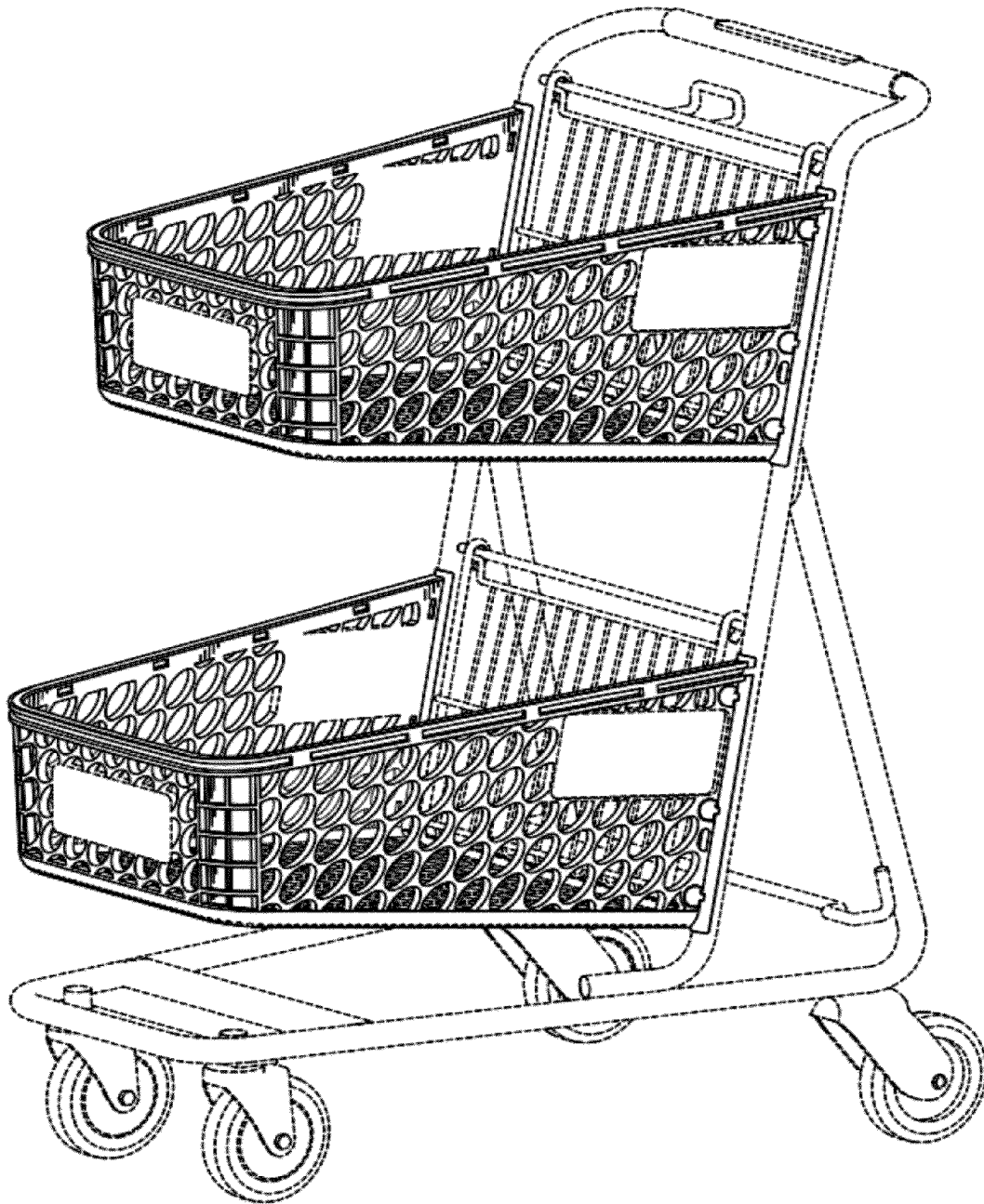


FIG. 1

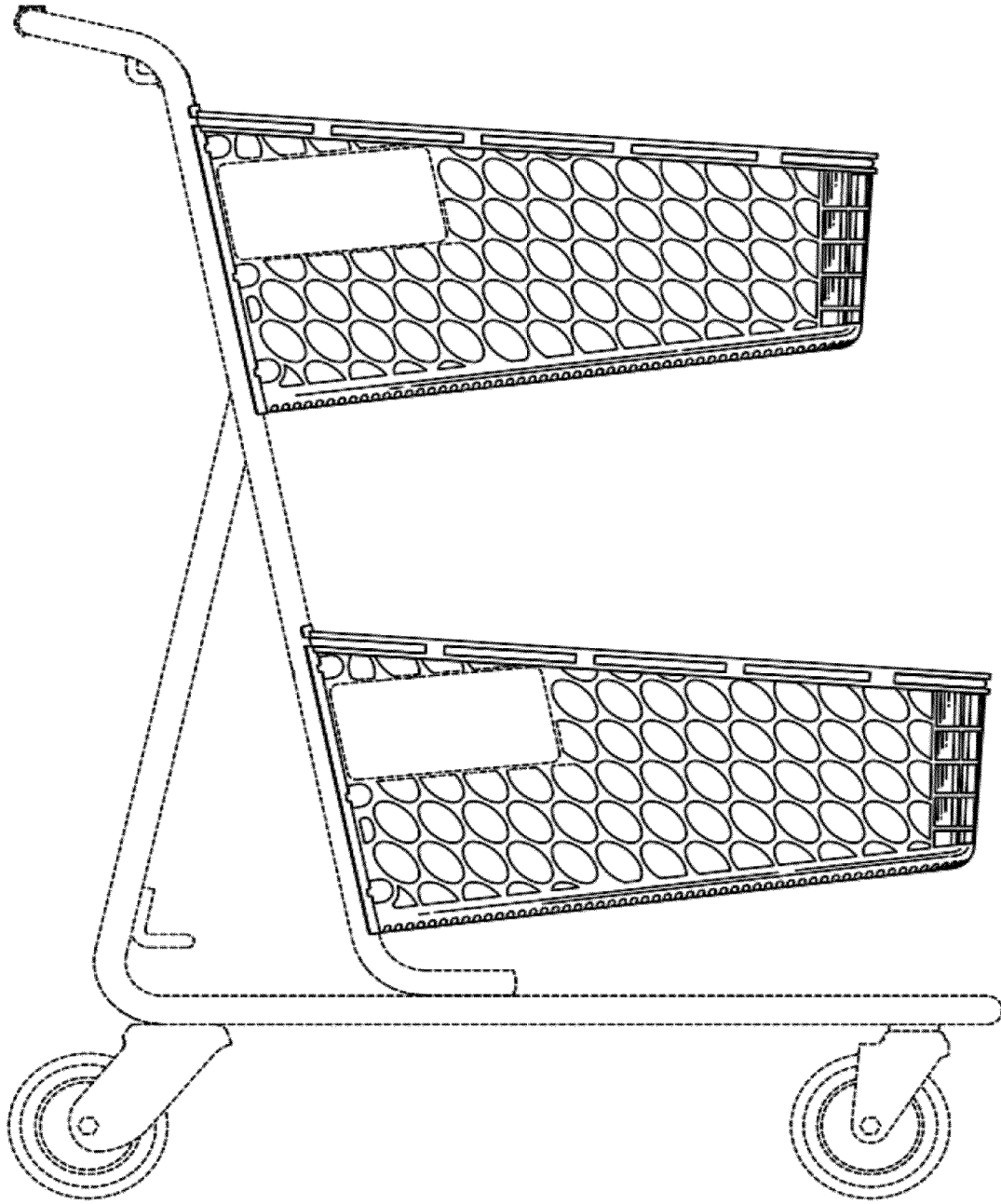


FIG. 2

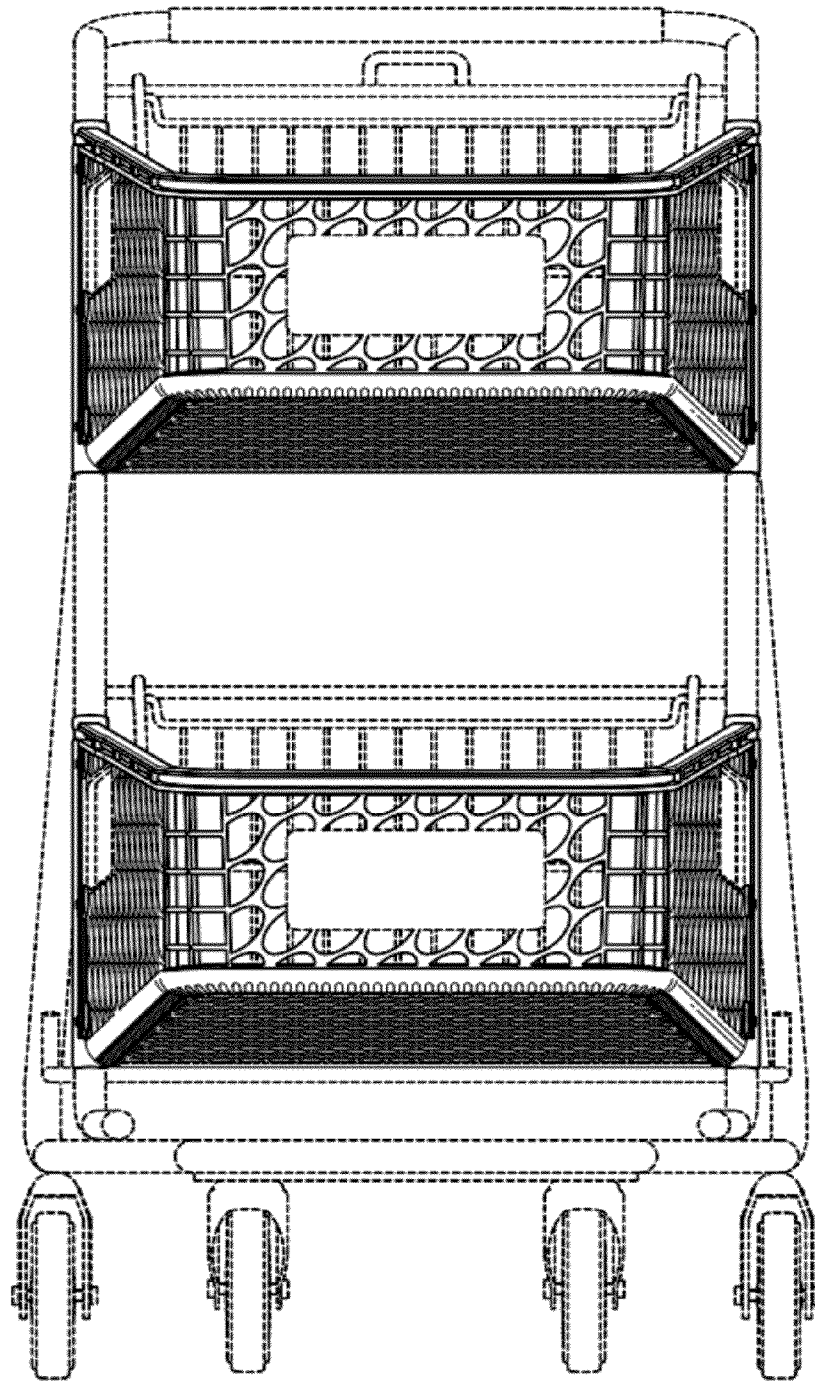


FIG.3

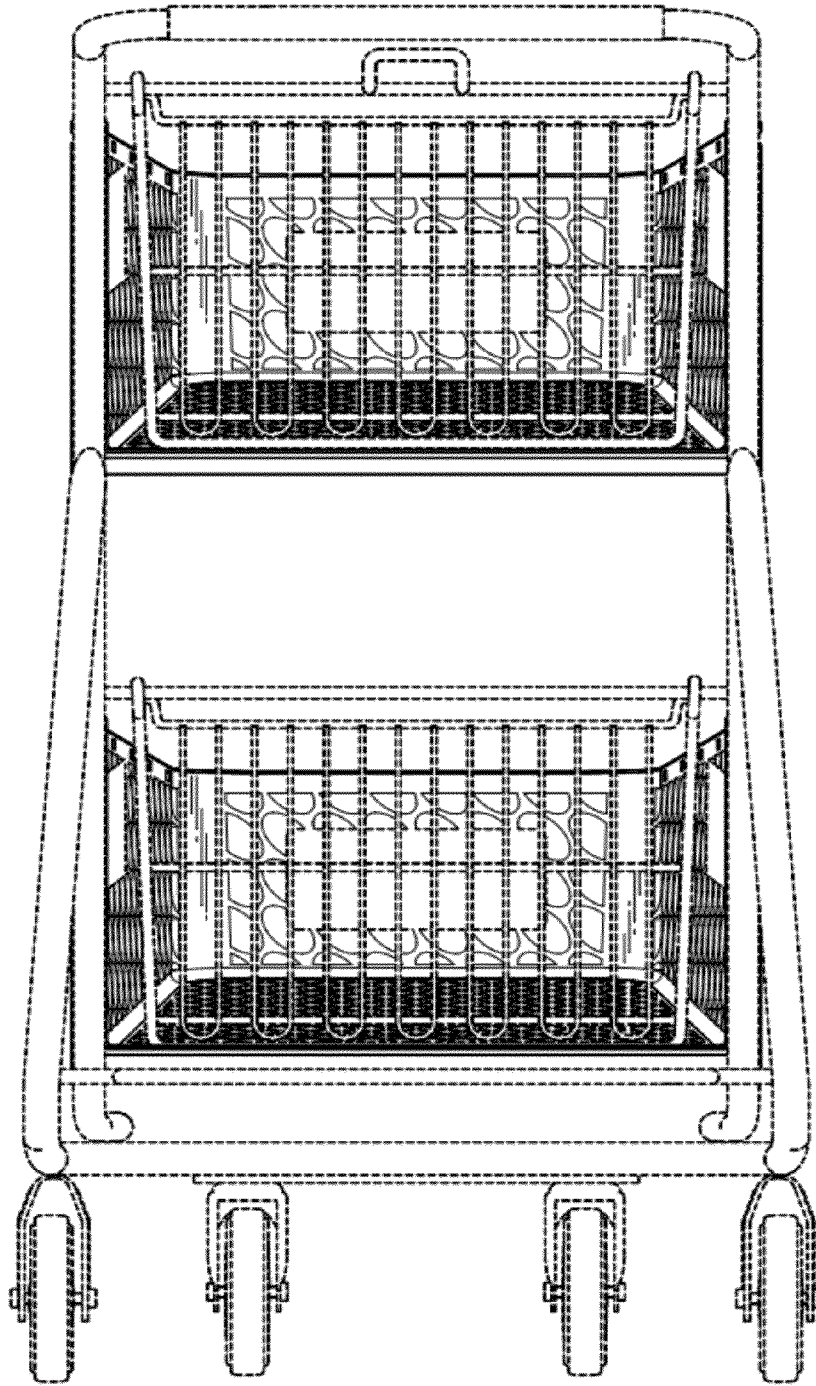


FIG. 4

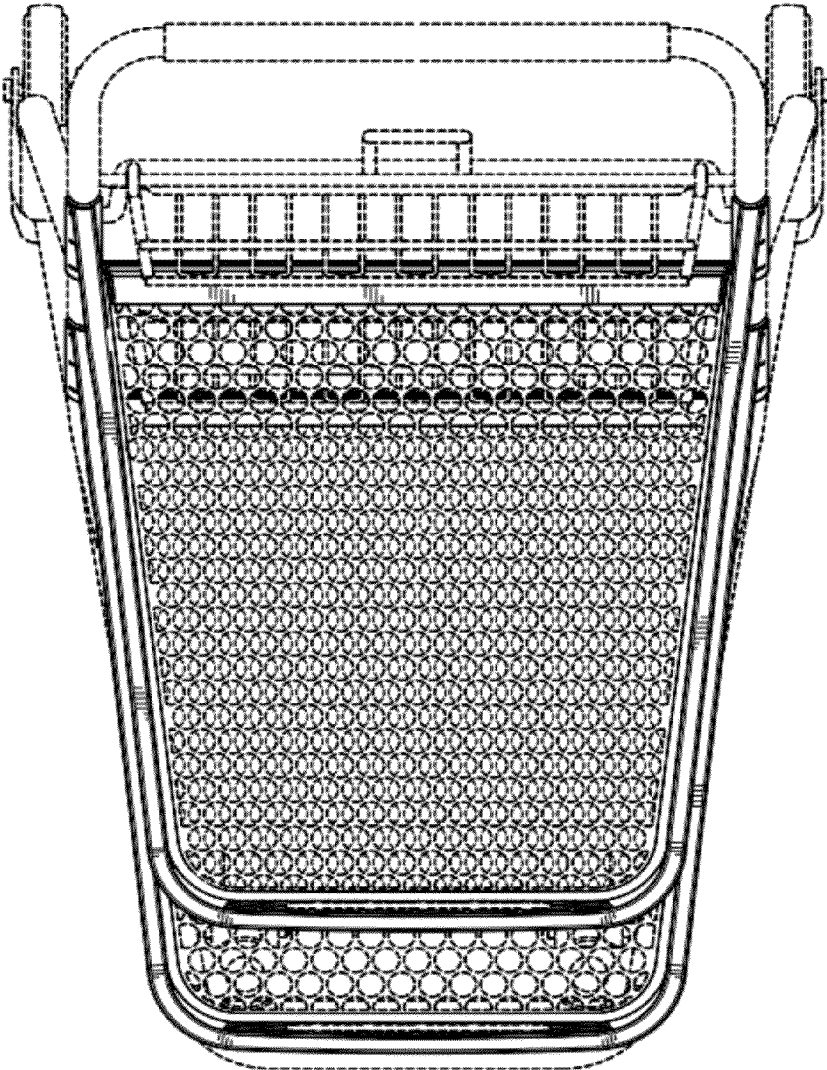


FIG.5

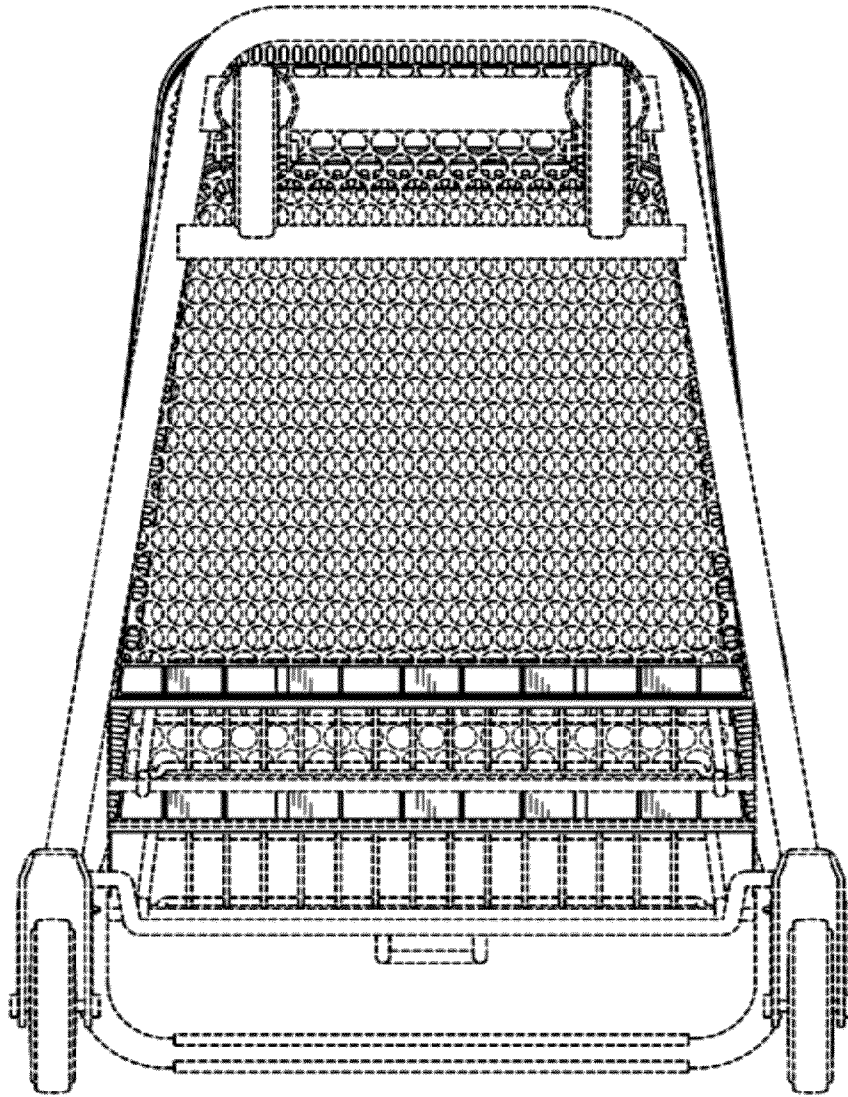


FIG.6



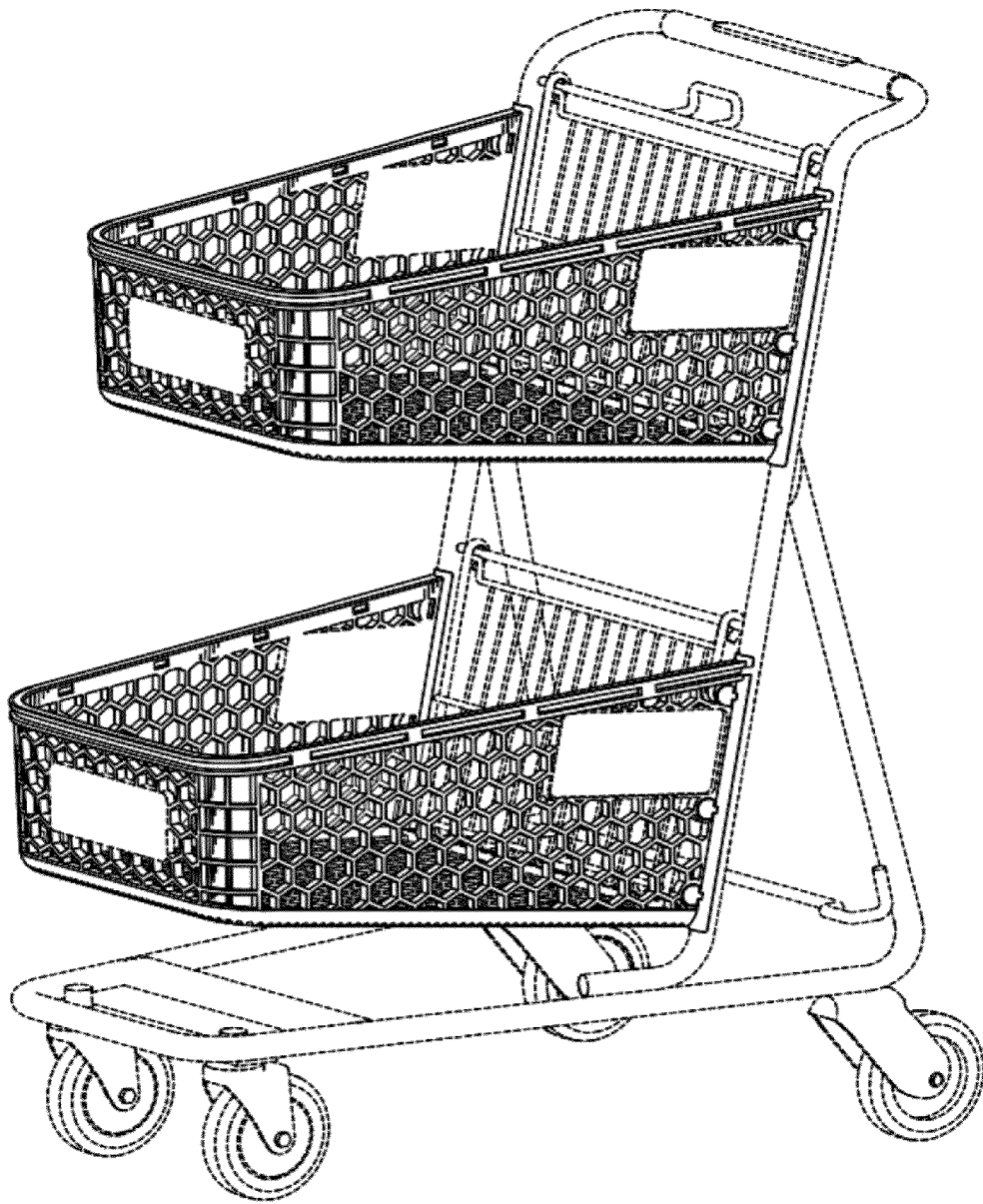


FIG. 7

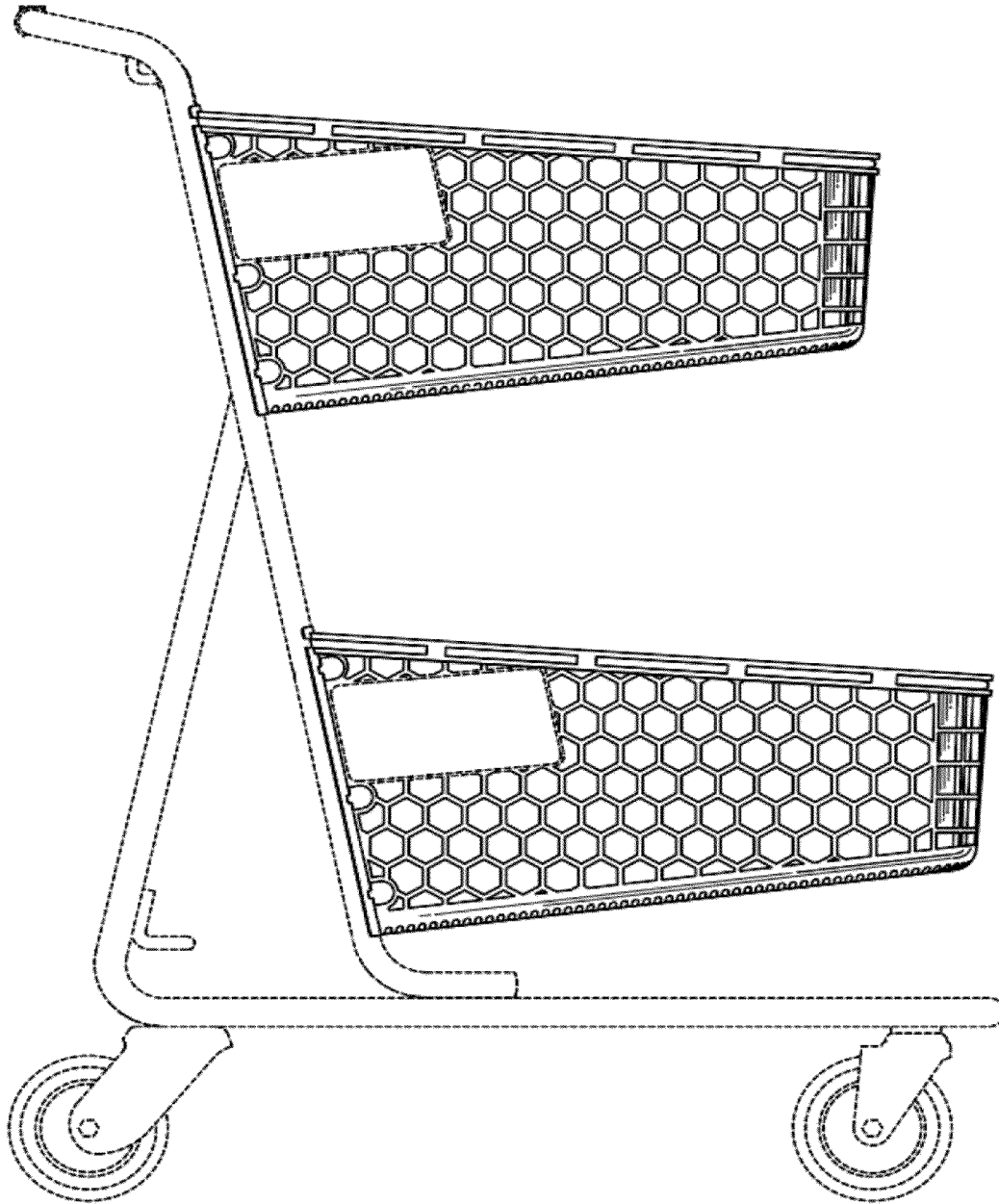


FIG. 8

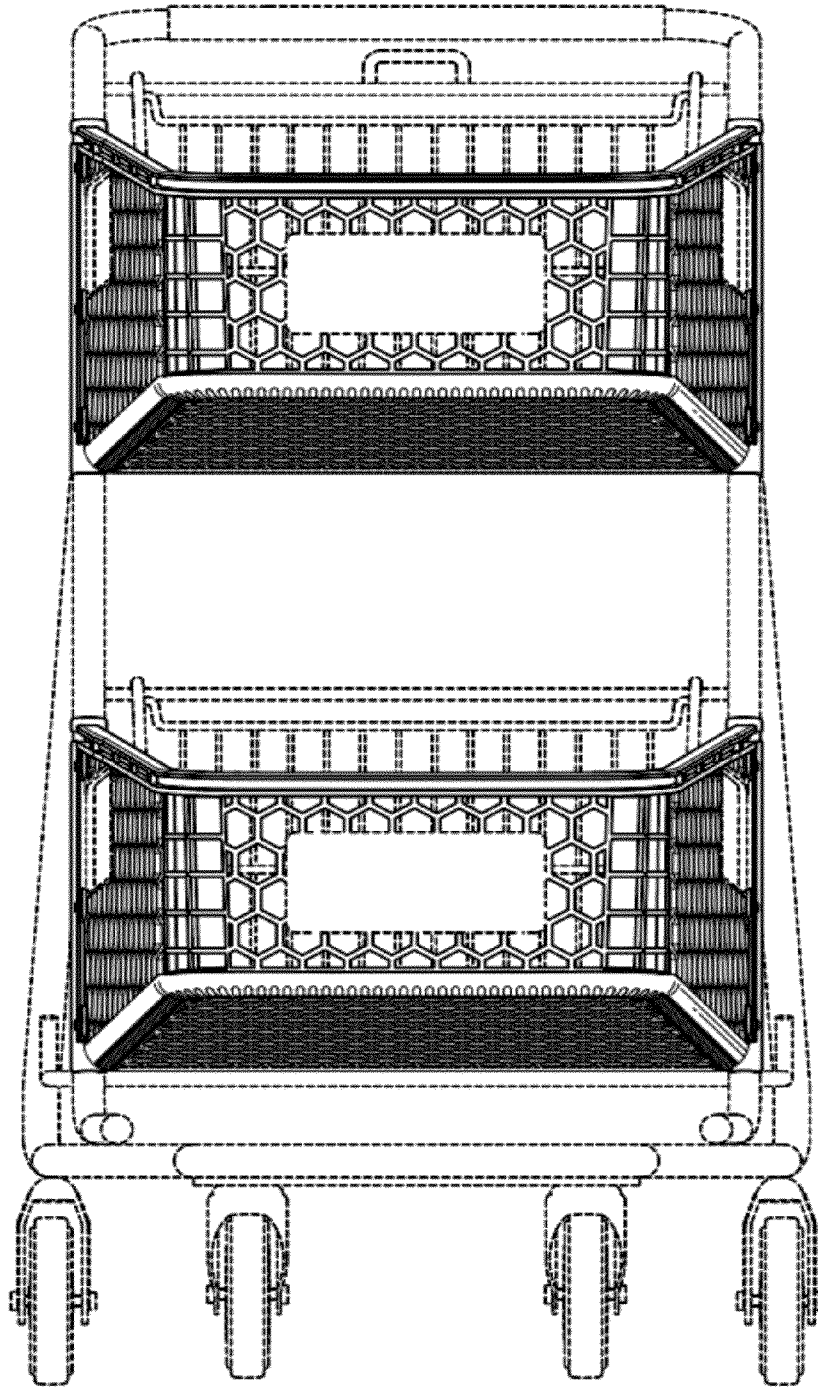


FIG.9

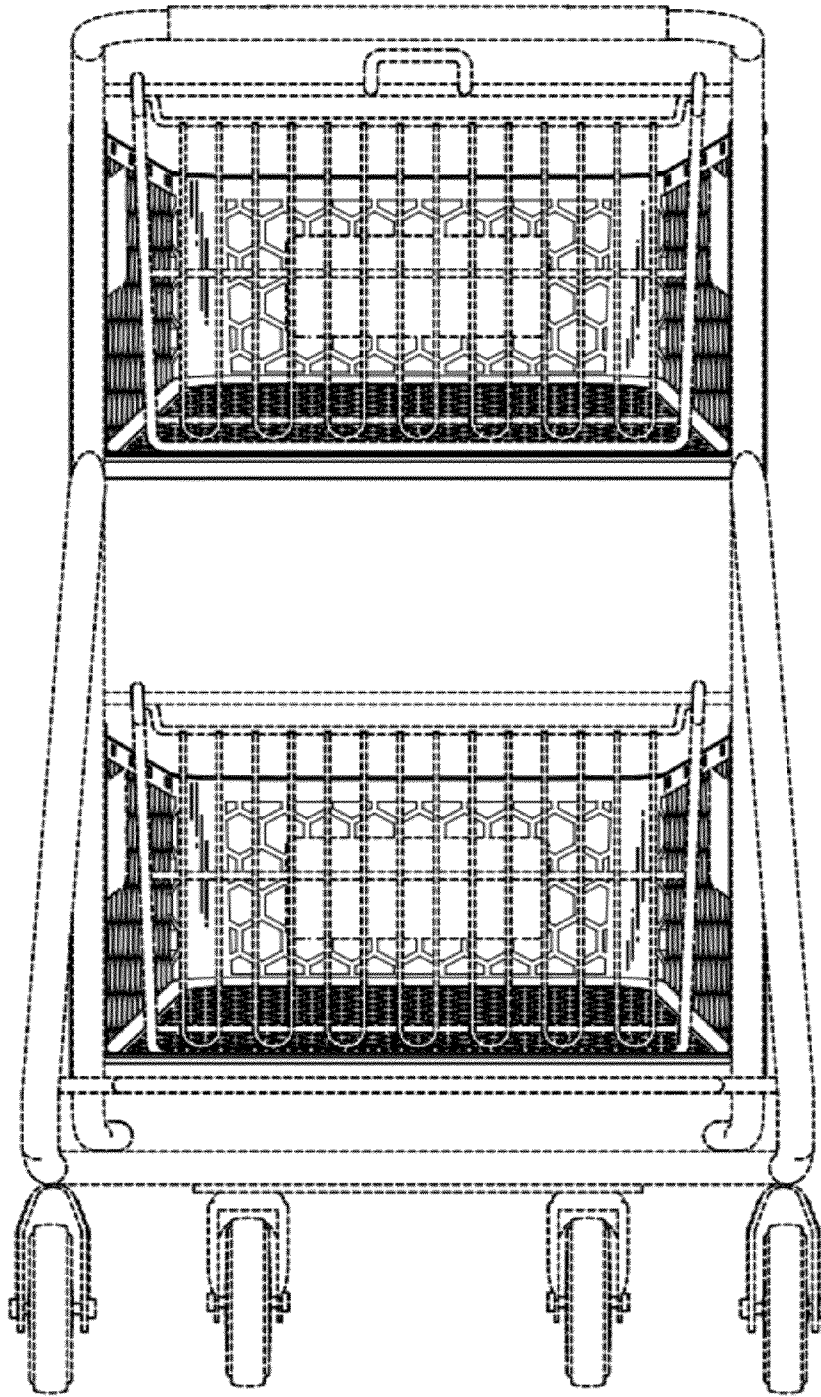


FIG.10

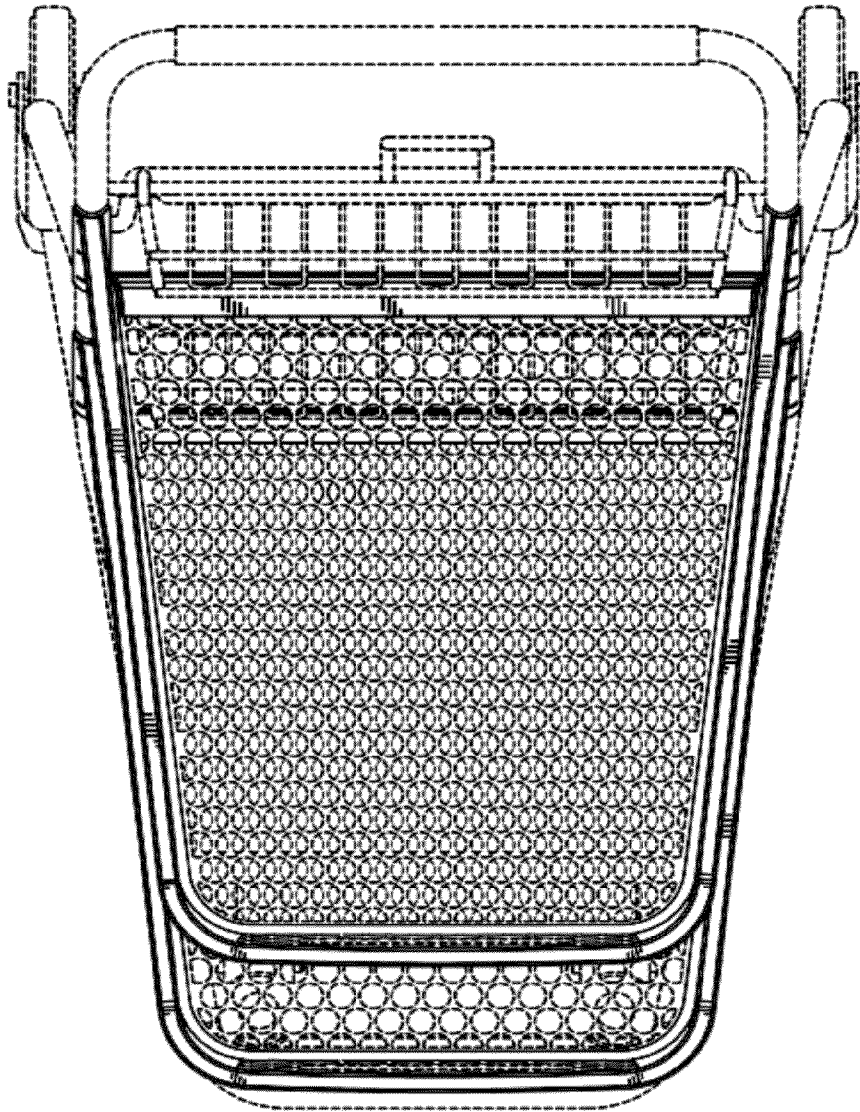


FIG.11

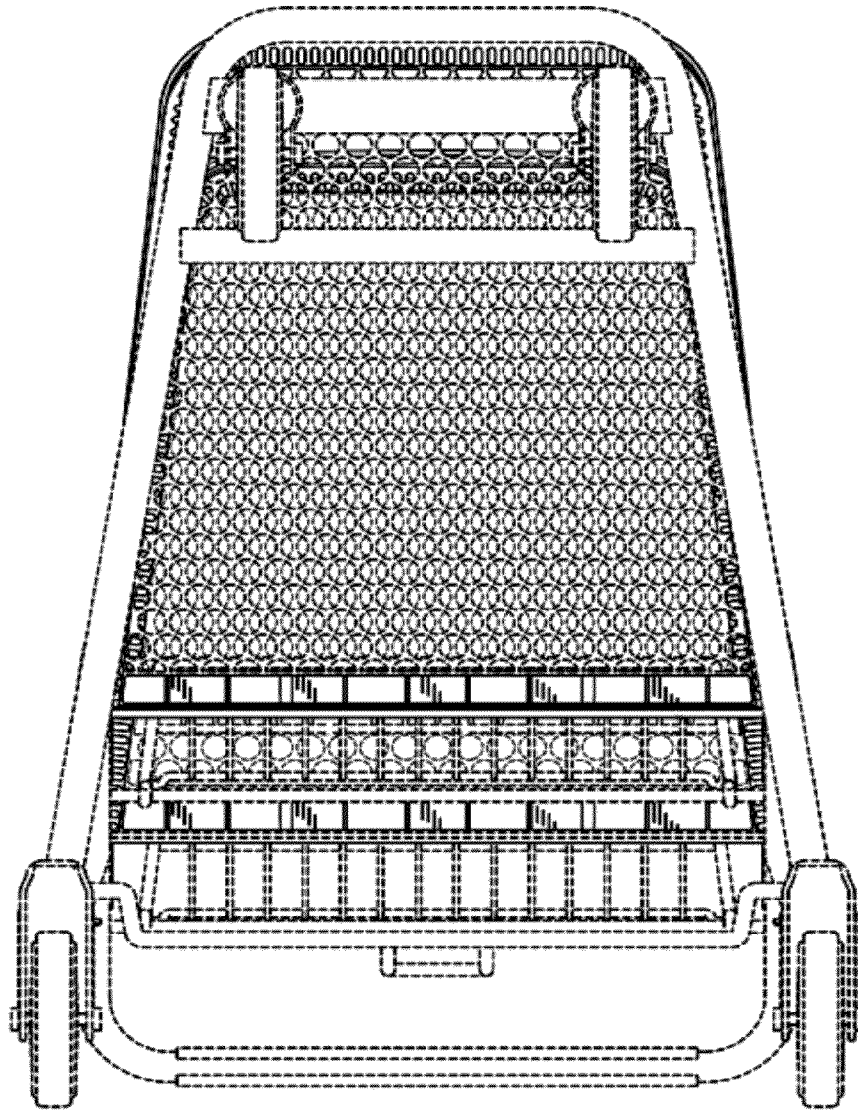


FIG.12

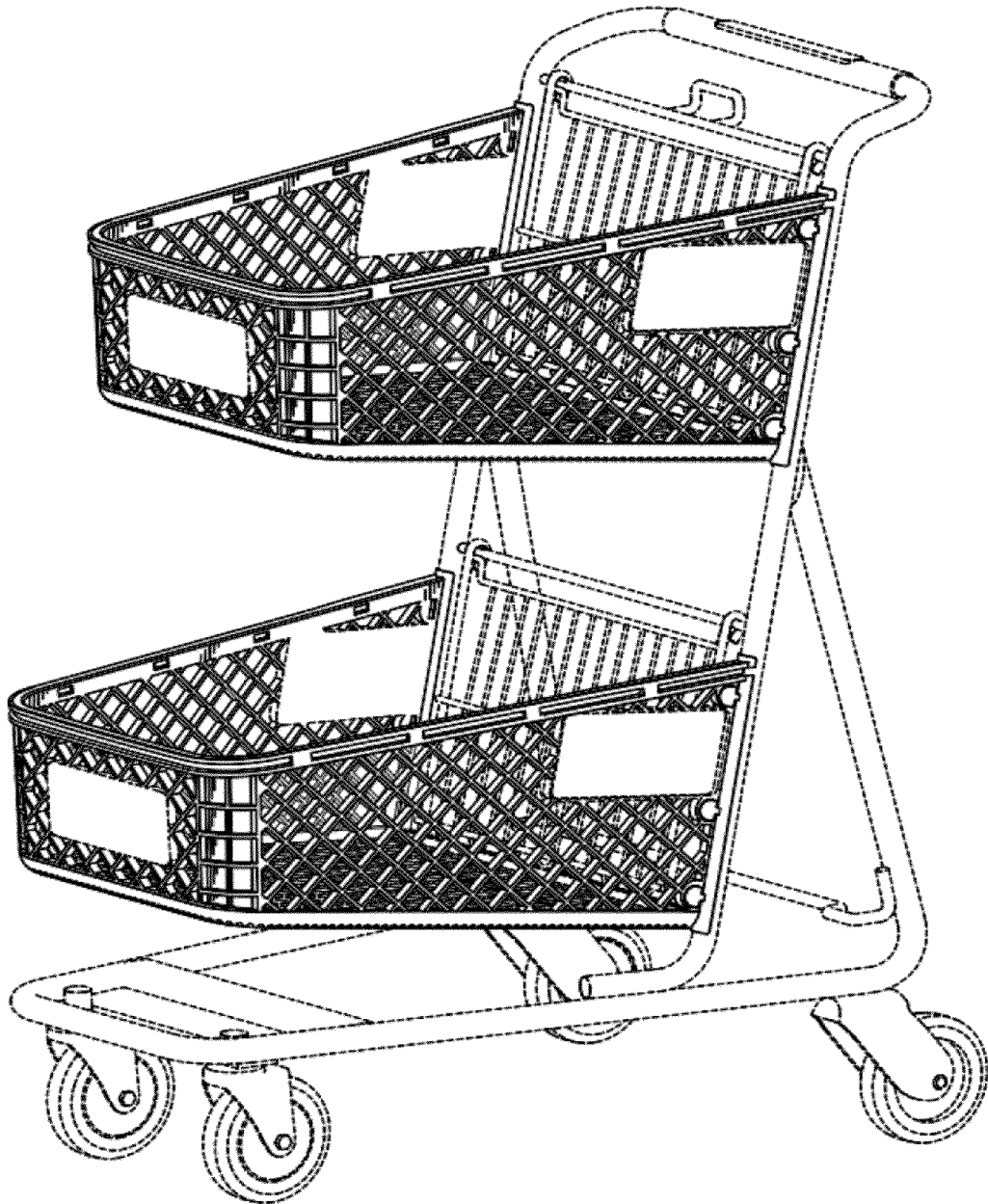


FIG. 13

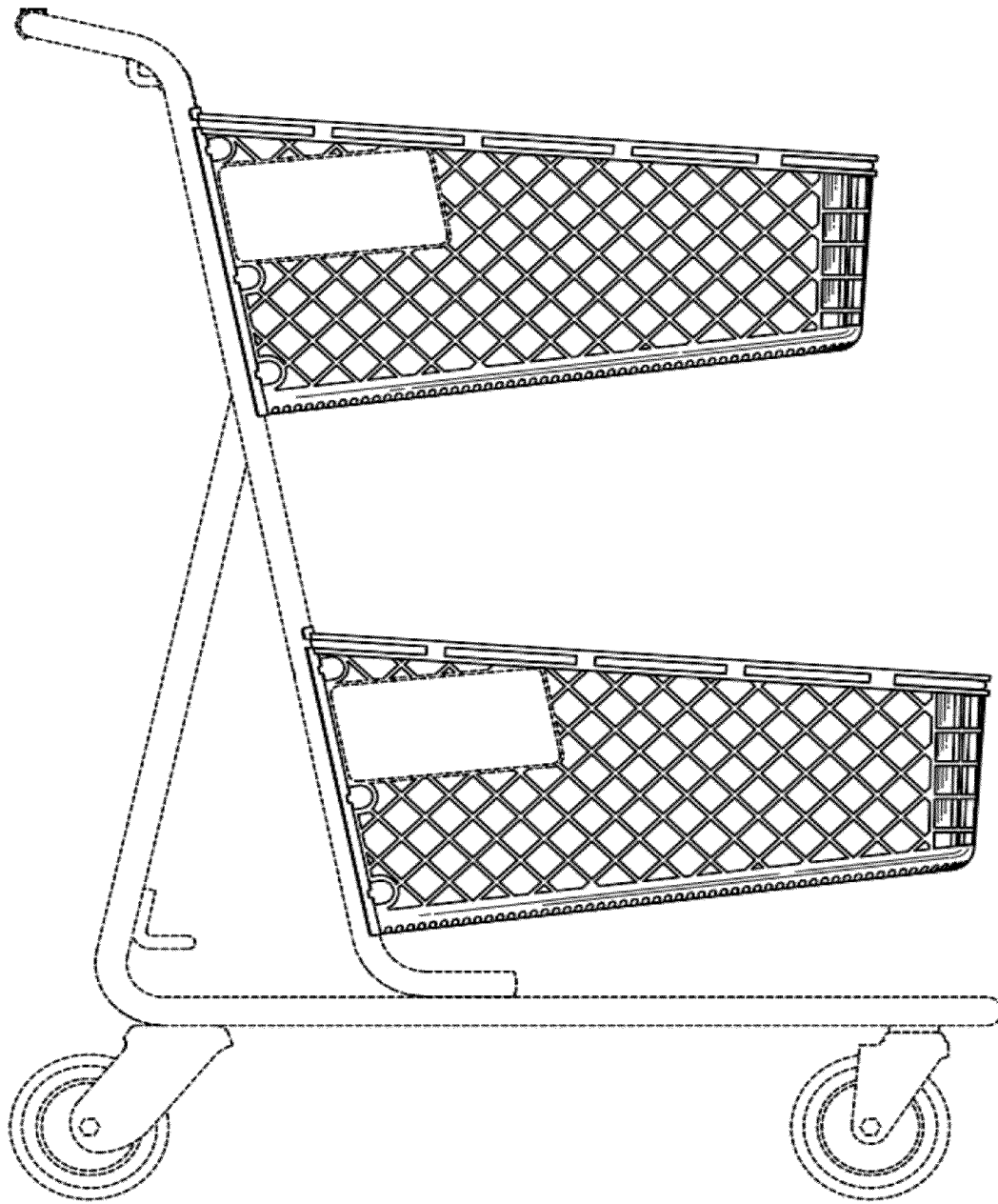


FIG.14



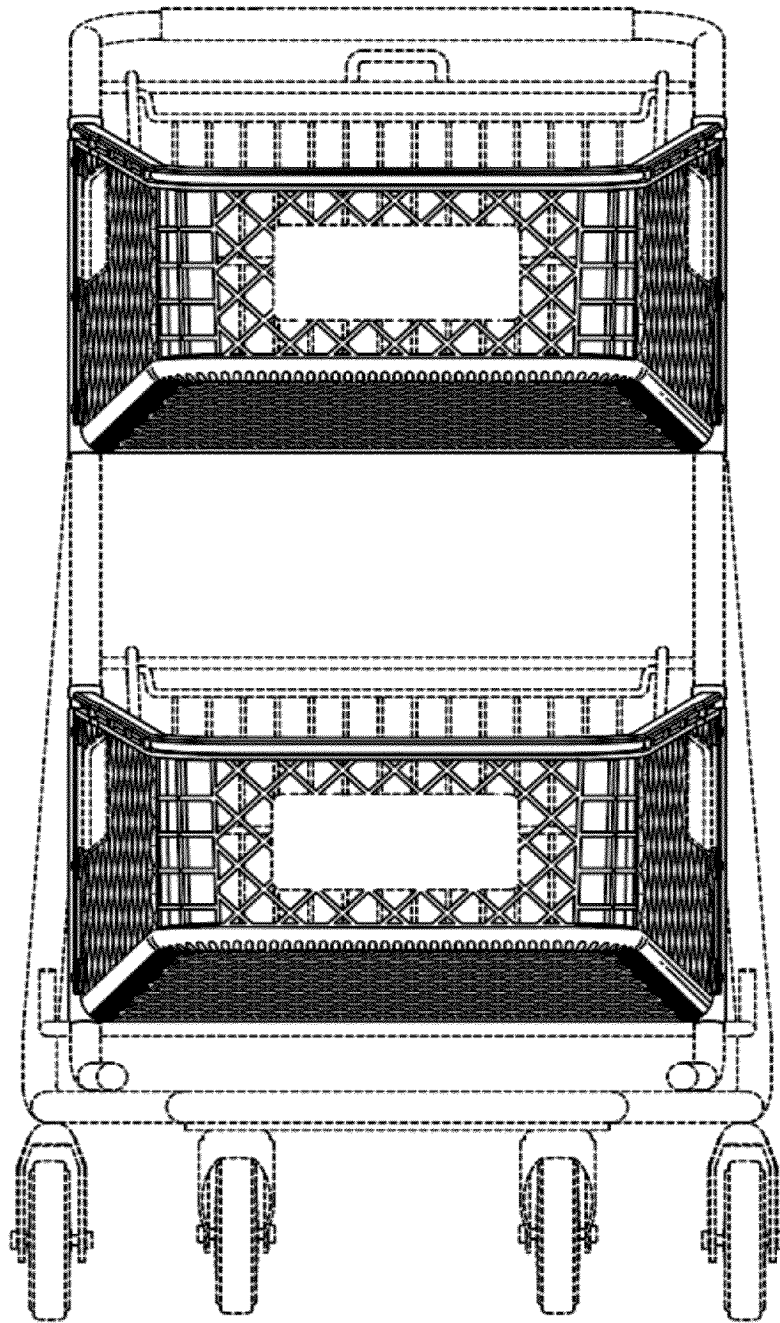


FIG.15

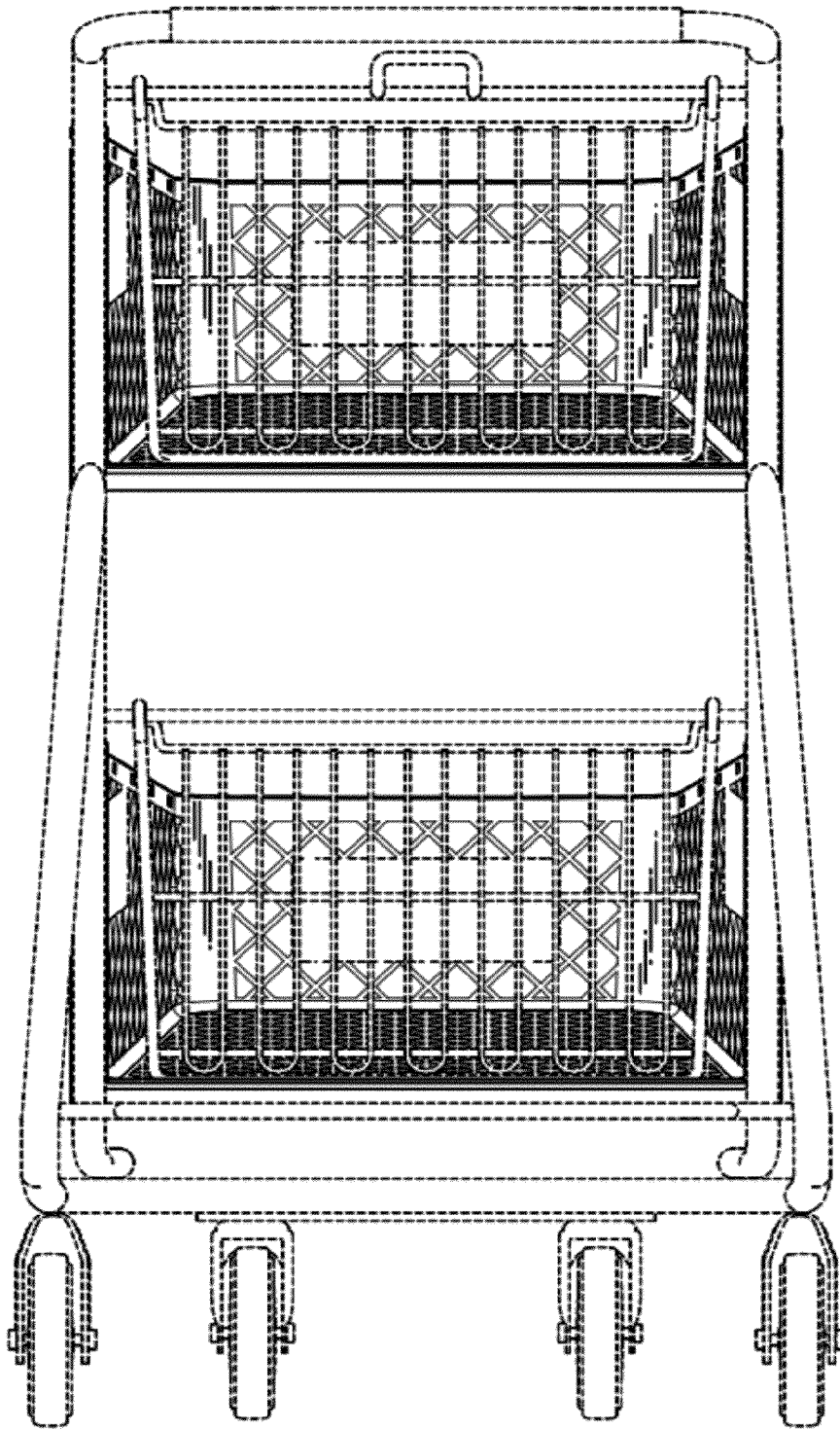


FIG.16

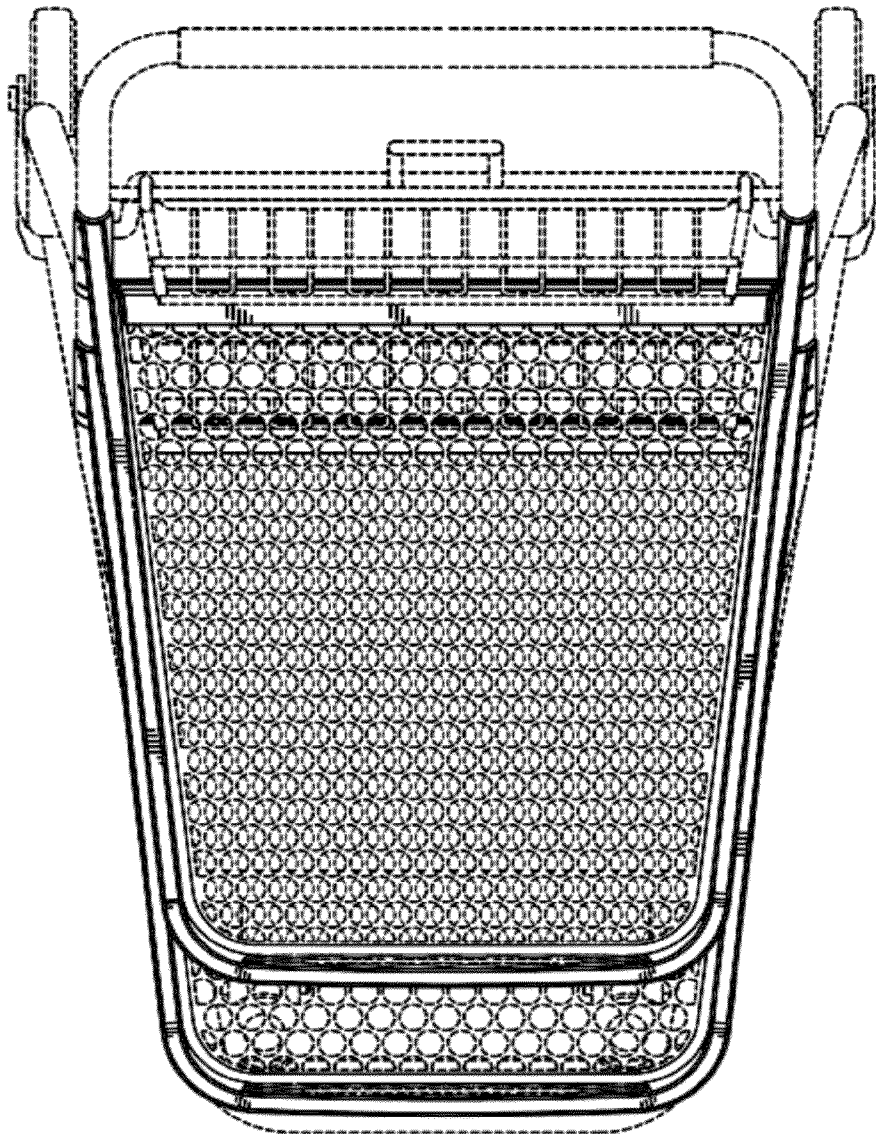


FIG.17

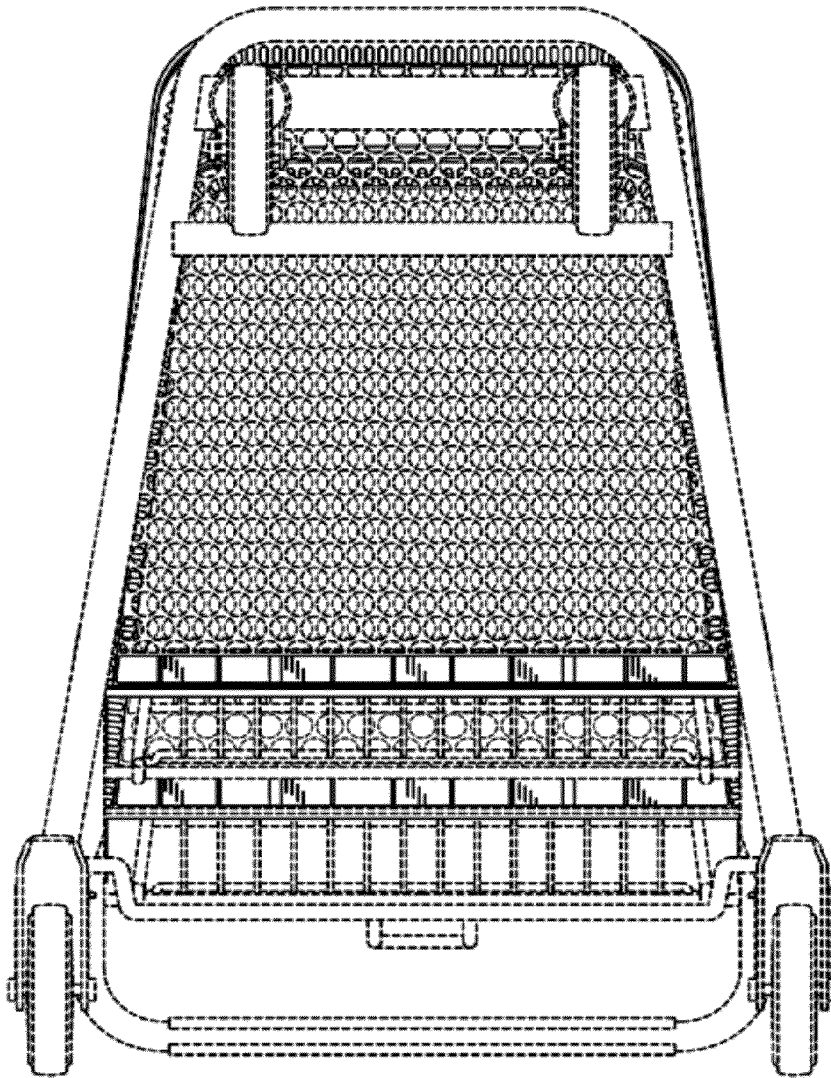


FIG.18