



US00D658841S

(12) **United States Design Patent**
Walter

(10) **Patent No.:** **US D658,841 S**

(45) **Date of Patent:** **** May 1, 2012**

(54) **COMBINED CHILD SEAT AND RETENTION FLAP FOR USE WITH A SHOPPING CART**

(75) Inventor: **Ivor Michel Walter**, Boulder, CO (US)

(73) Assignee: **AMSA, Inc.**, Boulder, CO (US)

(**) Term: **14 Years**

(21) Appl. No.: **29/402,205**

(22) Filed: **Sep. 21, 2011**

(51) **LOC (9) Cl.** **12-02**

(52) **U.S. Cl.** **D34/27**

(58) **Field of Classification Search** D34/12-27;
280/33.991, 33.992, 47.34, 33.997, 33.998,
280/33.996, 47.35, 651, 659, 79.3

See application file for complete search history.

(56) **References Cited**

U.S. PATENT DOCUMENTS

D178,445 S *	7/1956	Young	D34/27
3,645,554 A	2/1972	Von Stein et al.		
D246,301 S	11/1977	Trubiano		
D259,779 S	7/1981	Bond		
4,356,651 A *	11/1982	Barlow	40/308
D280,858 S	10/1985	Muellner et al.		
4,560,180 A	12/1985	Ulmer		
4,632,411 A	12/1986	Badger		
D288,619 S *	3/1987	Trubiano	D34/27
D321,577 S	11/1991	Ellis et al.		
5,211,410 A	5/1993	Trubiano		
D348,549 S	7/1994	Trubiano		
5,348,323 A	9/1994	Trubiano		
5,385,357 A *	1/1995	Trubiano	280/33.993
5,401,042 A *	3/1995	Ruger	280/33.997

(Continued)

OTHER PUBLICATIONS

Plasti-Cart Max200 Brochure from website [http://www.plasti-cart.com/page.asp?SectionID=2&PageID=72] showing prior art cart manufactured by Plasti-Cart.

(Continued)

Primary Examiner — Cynthia Ramirez

(74) *Attorney, Agent, or Firm* — Margaret Polson; Oppedahl Patent Law Firm LLC

(57) **CLAIM**

The ornamental design for a combined child seat and retention flap for use with a cart, as shown and described.

DESCRIPTION

FIG. 1 is a front perspective view of my new design for a combined child seat and retention flap for use with a shopping cart;

FIG. 2 is a bottom perspective view of FIG. 1.

FIG. 3 is a side elevation view of the right and left sides, which are mirror images of FIG. 1 thereof;

FIG. 4 is a front side elevation view of FIG. 1.

FIG. 5 is a back side elevation view of FIG. 1.

FIG. 6 is a top plan view of FIG. 1.

FIG. 7 is a bottom plan view of FIG. 1.

FIG. 8 is a side elevation view of the left and right sides, which are mirror images, of the child seat in the folded position it is in when the carts are nested together.

FIG. 9 is a top plan view of FIG. 8; and,

FIG. 10 is a bottom plan view of FIG. 8.

The broken lines in the figures are included for the purpose of illustrating elements of the combined child seat and retention flap and form no part of the claimed design.

1 Claim, 5 Drawing Sheets

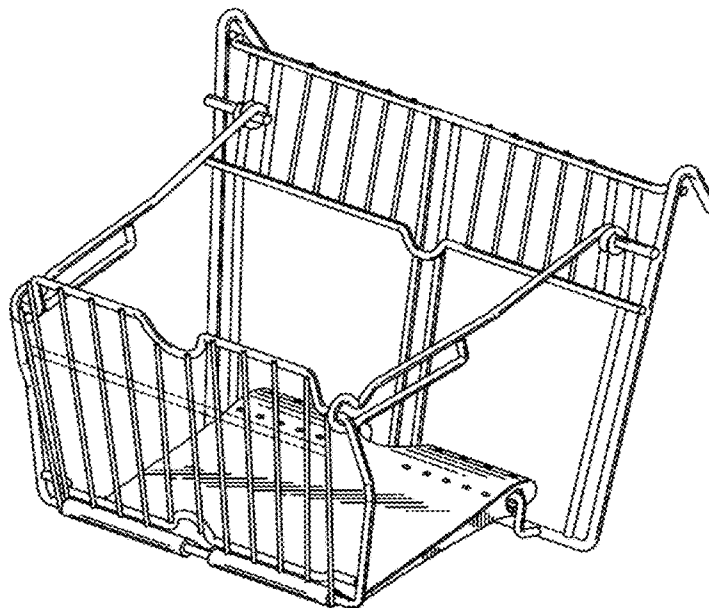


FIG 1

US D658,841 S

Page 2

U.S. PATENT DOCUMENTS

5,435,582	A	7/1995	Davidson	7,673,886	B2 *	3/2010	Ondrasik	280/33.991
D363,589	S	10/1995	Lafleur et al.	D639,521	S	6/2011	Walter	
5,505,472	A	4/1996	Trubiano	D646,041	S *	9/2011	Berthiaume et al.	D34/27
5,507,507	A	4/1996	Davidson	2001/0022436	A1	9/2001	Simard	
5,553,877	A	9/1996	Huang	2003/0151219	A1	8/2003	Simard	
5,595,394	A	1/1997	Adamson	2004/0051263	A1	3/2004	Prather et al.	
D379,834	S	6/1997	Huang	2006/0273536	A1 *	12/2006	Ondrasik	280/33.991
5,702,114	A	12/1997	Downing et al.	2008/0265534	A1 *	10/2008	Ondrasik	280/33.991
5,961,133	A	10/1999	Perry					
D445,230	S	7/2001	Deal et al.					
D463,647	S	9/2002	Deal et al.					
D470,292	S	2/2003	Johnson et al.					
6,533,297	B2	3/2003	Saccani					
6,644,674	B2	11/2003	Simard					
6,676,139	B1	1/2004	Saccani					
D493,594	S	7/2004	Prather et al.					
6,832,768	B2 *	12/2004	Duchene et al.	280/33.993				
6,981,708	B1	1/2006	Tucker et al.					
7,104,552	B2 *	9/2006	Swanson et al.	280/33.991				
D550,423	S	9/2007	Splain et al.					
D583,523	S	12/2008	Deal et al.					
D584,023	S	12/2008	Walter					

OTHER PUBLICATIONS

Technibilt 5640 Scan of website [<http://www.technibilt.com/carts/detail.php?id=28>] showing prior art cart manufactured by Techibilt.
Wanzl EL Series Brochure from website [http://www.wanzl.com/000/En/Home/Products/Self-Service_systems/Shopping_Trolleys/Shopping_Trolley_Series/EL_Series.html] showing prior art carts manufactured by Wanzl.

U.S. Appl. No. 29/388,922, filed Apr. 4, 2011; Inventor: Ivor Michel Walter.

U.S. Appl. No. 29/391,701, filed May 12, 2011; Inventor: Ivor Michel Walter.

* cited by examiner

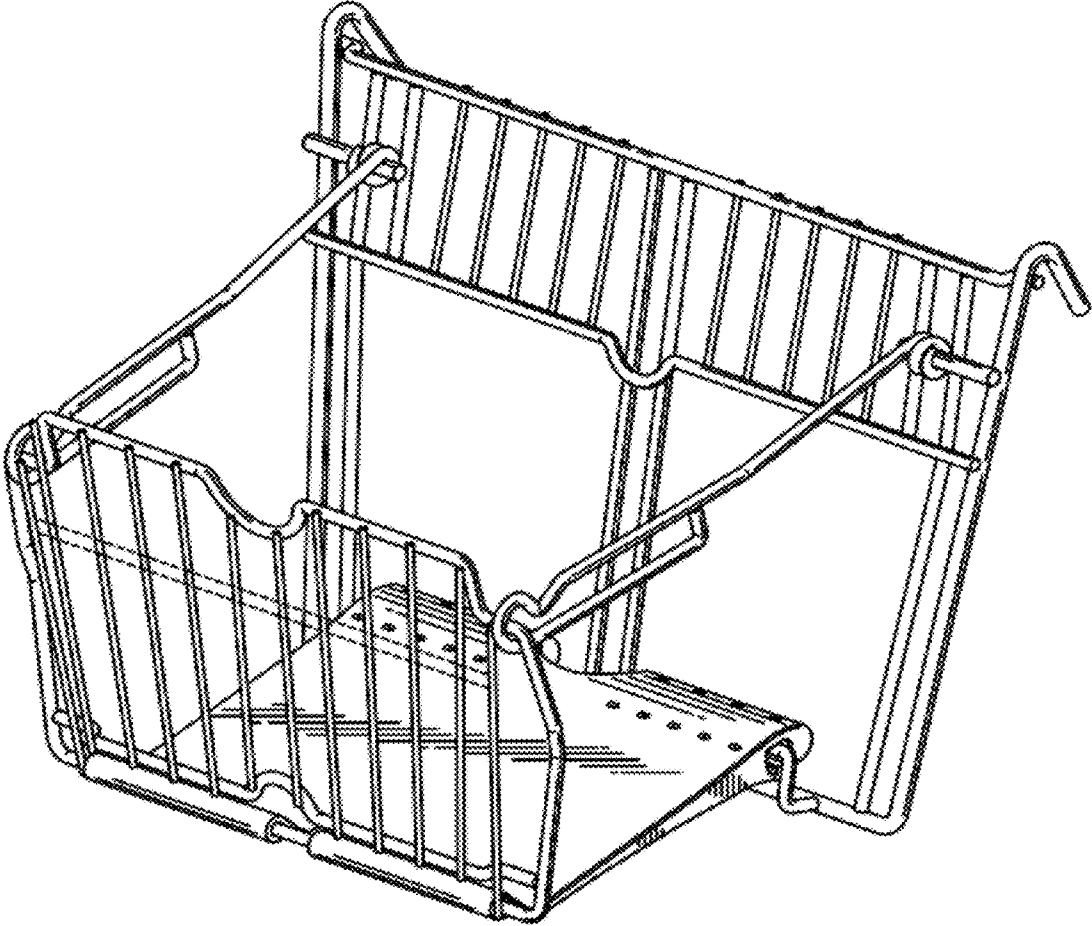


FIG.1

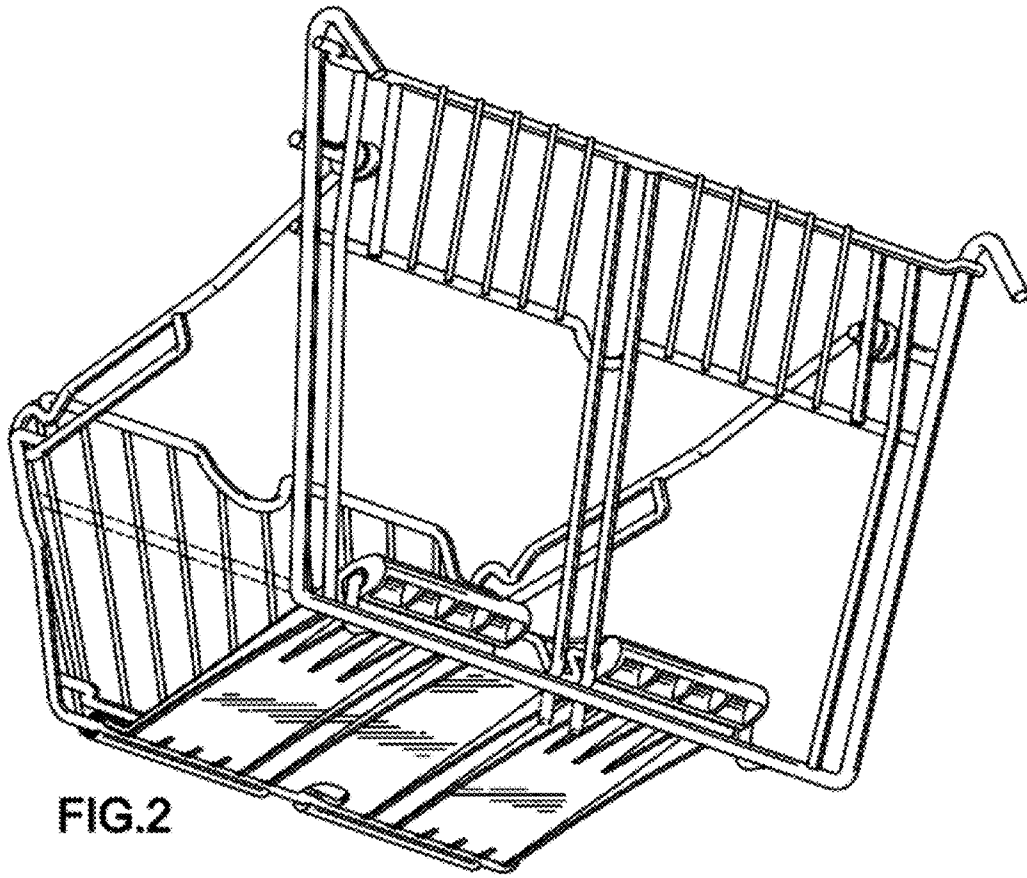


FIG. 2

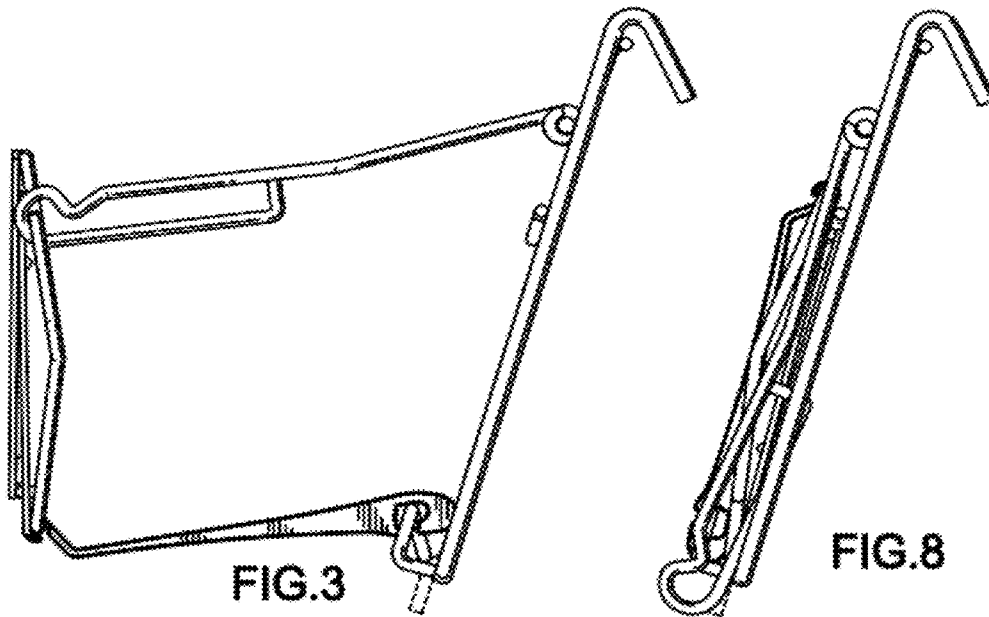


FIG. 3

FIG. 8

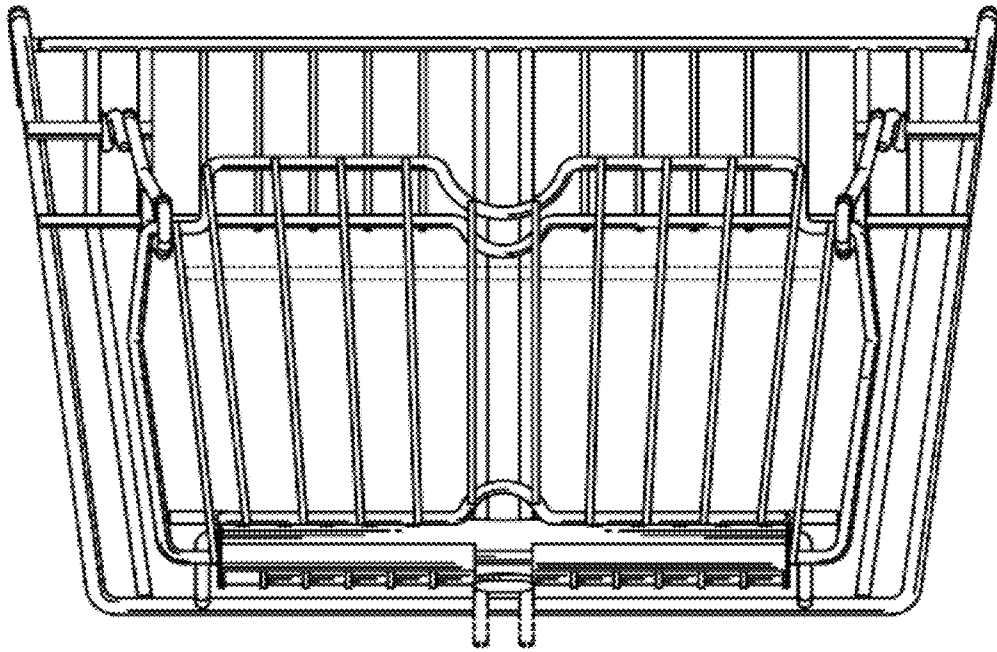


FIG. 4

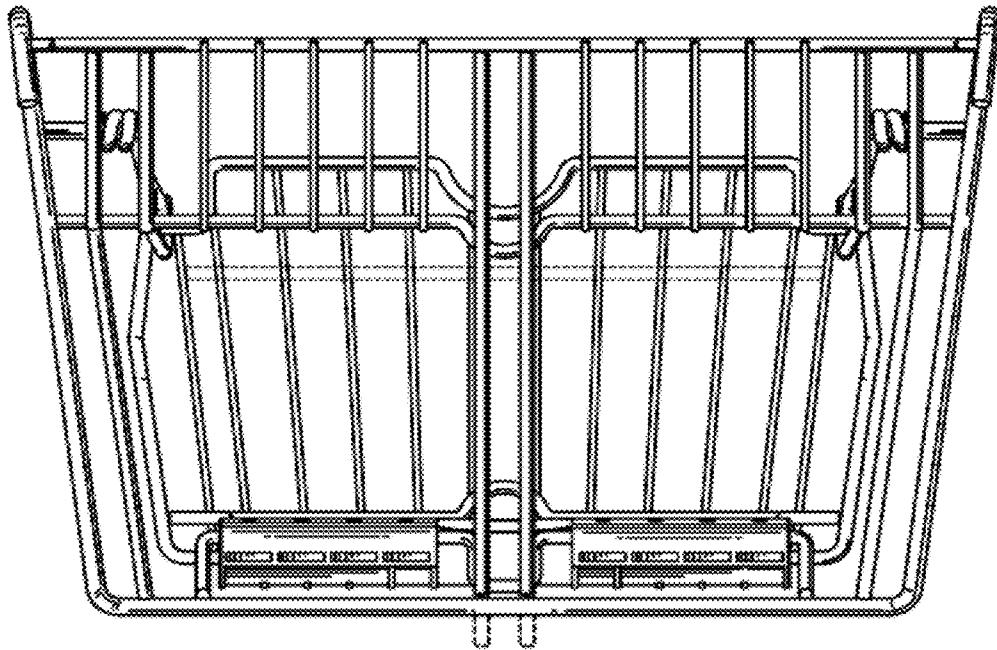


FIG. 5

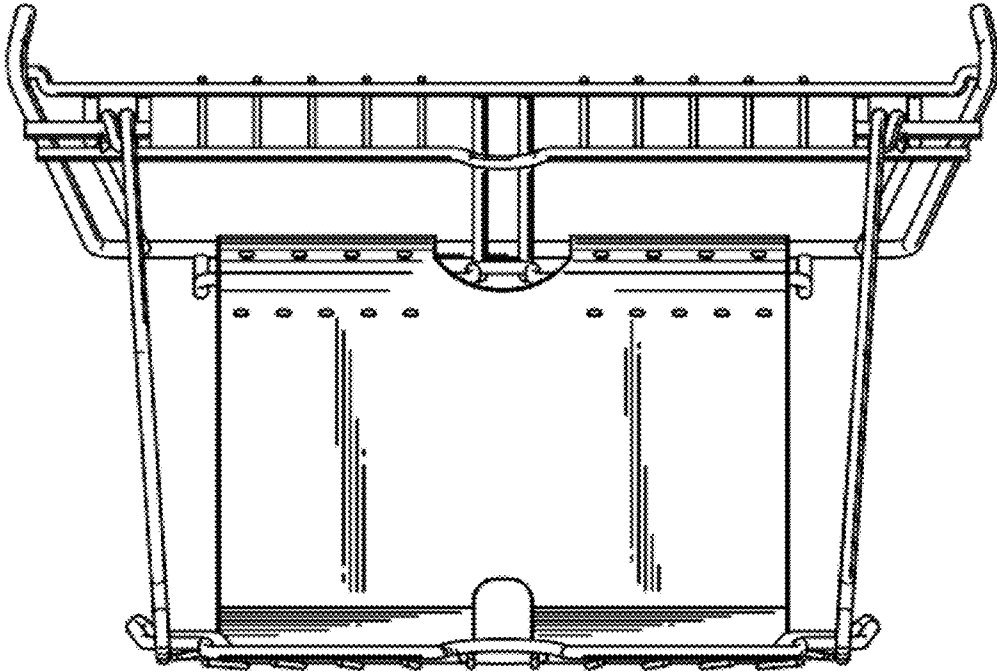


FIG. 6

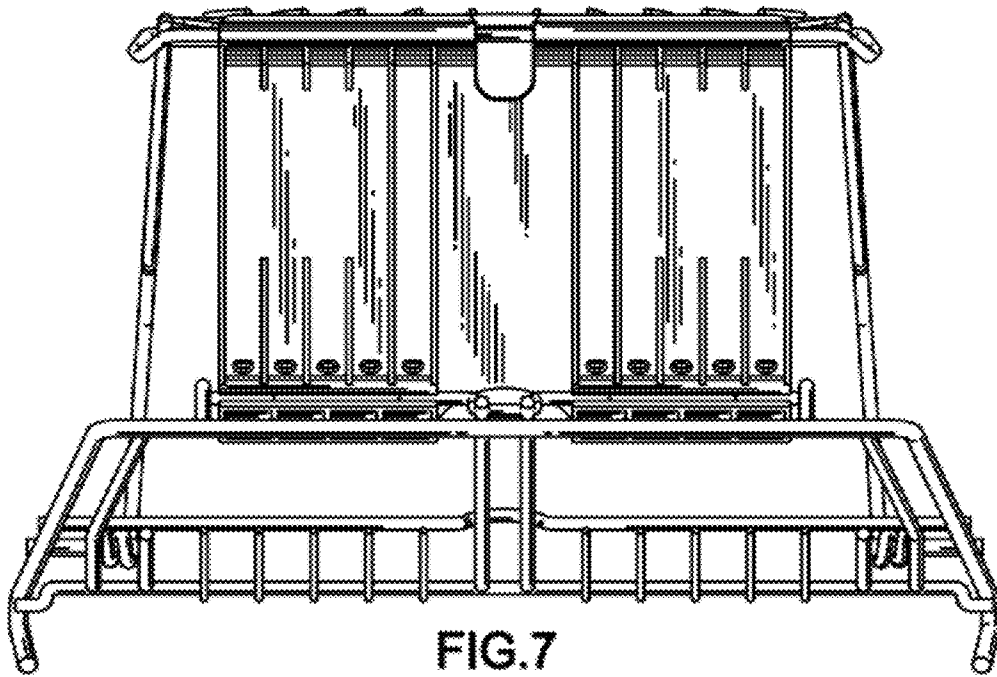


FIG. 7

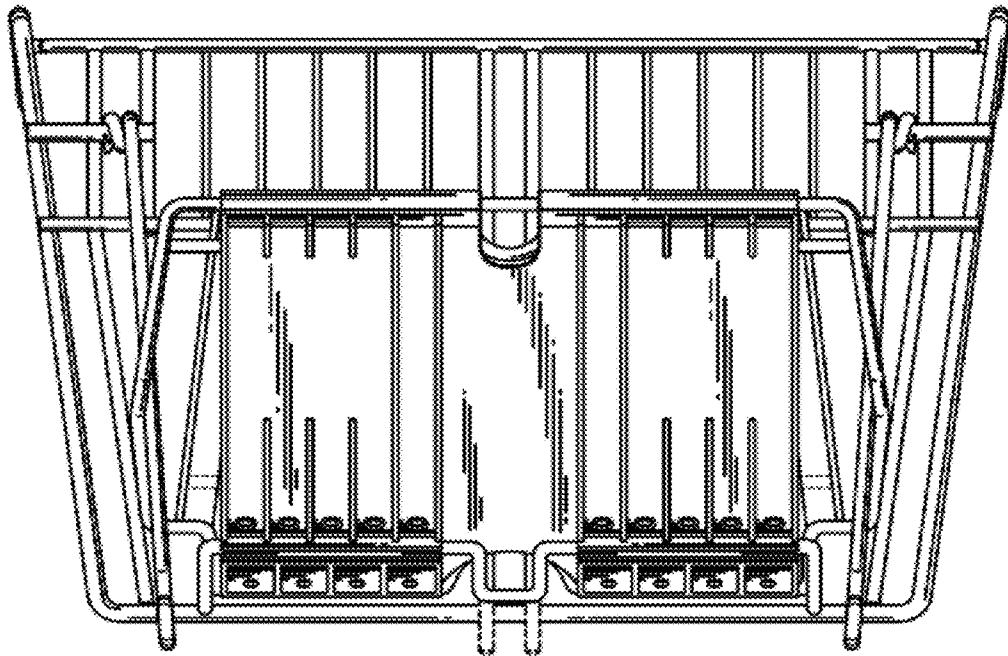


FIG. 9

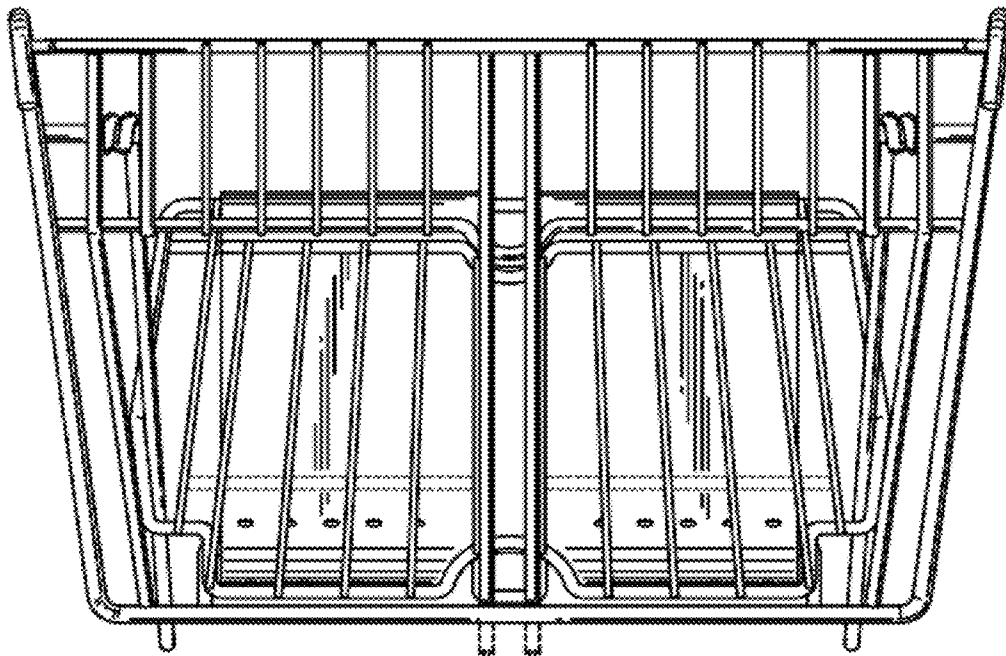


FIG. 10