



US00D655999S

(12) **United States Design Patent**
Kelleghan

(10) **Patent No.:** **US D655,999 S**
(45) **Date of Patent:** **** Mar. 20, 2012**

- (54) **DECORATED SURFACE CARABINER**
- (75) Inventor: **Brian James Kelleghan**, Longmont, CO (US)
- (73) Assignee: **Bison Designs, LLC**, Longmont, CO (US)
- (**) Term: **14 Years**
- (21) Appl. No.: **29/360,477**
- (22) Filed: **Apr. 26, 2010**

- D401,505 S 11/1998 Michael et al.
- 5,878,834 A 3/1999 Brainerd et al.
- D433,310 S 11/2000 Luquire
- D433,312 S 11/2000 Luquire
- D447,680 S 9/2001 Kelleghan
- D462,891 S 9/2002 Kelleghan
- D466,422 S 12/2002 Luquire
- D468,997 S 1/2003 Chang
- D469,023 S 1/2003 Mah
- 6,527,434 B1 3/2003 Fox et al.
- D473,769 S 4/2003 Kelleghan
- D474,095 S 5/2003 Luquire
- D476,342 S 6/2003 Yoshida et al.
- 6,622,354 B1 9/2003 Klingier
- D482,251 S 11/2003 Kelleghan

(Continued)

Related U.S. Application Data

- (62) Division of application No. 29/340,430, filed on Jul. 17, 2009, now Pat. No. Des. 614,937.
 - (51) **LOC (9) Cl.** **08-05**
 - (52) **U.S. Cl.** **D8/356**
 - (58) **Field of Classification Search** D8/105, D8/107, 333, 349, 356, 357, 358, 367, 372, D8/373, 383; D11/200, 215; 24/573.11, 24/579.09, 579.11, 592.11, 599.1, 599.9, 24/600.1; 182/5
- See application file for complete search history.

References Cited

- (56) **U.S. PATENT DOCUMENTS**
- 3,603,402 A * 9/1971 McDonnell 168/4
- 4,091,871 A * 5/1978 Chiamonte et al. 168/4
- D279,314 S 6/1985 Ishida et al.
- 4,835,823 A 6/1989 Contat
- D330,669 S 11/1992 Hui-Chuan
- 5,329,675 A 7/1994 McLean et al.
- 5,357,657 A 10/1994 Petzl
- D375,252 S 11/1996 Serra Fabregas
- D391,840 S 3/1998 Striebel

FOREIGN PATENT DOCUMENTS

JP 2003287170 10/2003

Primary Examiner — Karen S Acker

(74) *Attorney, Agent, or Firm* — Margaret Polson; Oppedahl Patent Law Firm LLC

(57) **CLAIM**

The ornamental design for a decorated surface carabiner, as shown and described.

DESCRIPTION

FIG. 1 is a top plan view of my new design for a decorated surface carabiner.

FIG. 2 is a bottom plan view of FIG. 1.

FIG. 3 is a left side elevation view of FIG. 1.

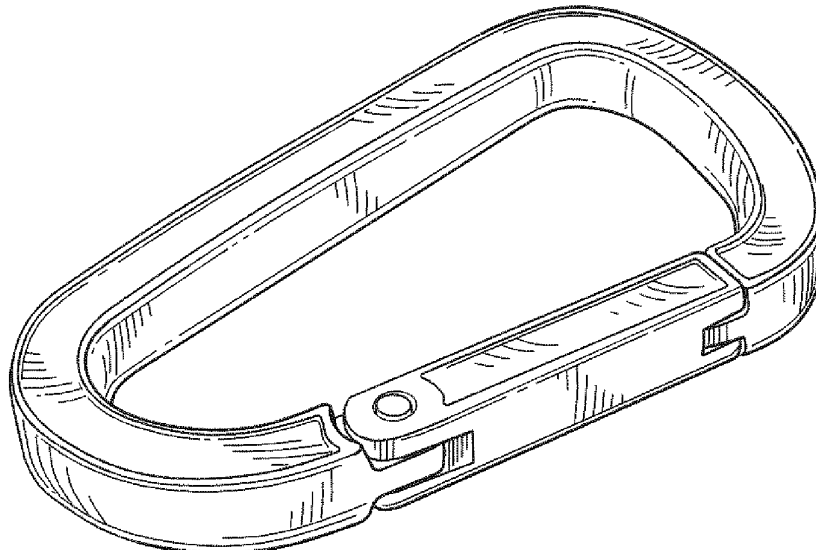
FIG. 4 is a right side elevation view of FIG. 1.

FIG. 5 is a front side elevation view of FIG. 1.

FIG. 6 is rear side elevation view of FIG. 1; and,

FIG. 7 is a top perspective view of FIG. 1.

1 Claim, 1 Drawing Sheet



US D655,999 S

Page 2

U.S. PATENT DOCUMENTS

D483,647 S	12/2003	Lo	D580,257 S	11/2008	Squyres	
D488,971 S	4/2004	Kelleghan	D590,237 S	4/2009	Parisi et al.	
D488,973 S	4/2004	Kelleghan	D590,699 S	4/2009	Szymanski et al.	
D500,950 S	1/2005	Kelleghan	D591,584 S	5/2009	Kelleghan	
6,912,836 B2	7/2005	Hsu	D594,315 S	6/2009	Szymanski et al.	
D521,362 S	5/2006	Kelleghan	D600,534 S	9/2009	Tokumoto	
D525,520 S	7/2006	Martin	D603,682 S *	11/2009	Brands	D8/105
D526,886 S	8/2006	Kramer	D614,473 S *	4/2010	Freeman et al.	D8/107
D527,988 S	9/2006	Shetler	D614,940 S *	5/2010	Gaska et al.	D8/373
D529,789 S	10/2006	Klecker	D622,132 S *	8/2010	DeMars et al.	D8/356
D556,545 S	12/2007	Titus et al.	D622,574 S *	8/2010	Garcia et al.	D8/105
D565,392 S	4/2008	Shetler	2003/0106190 A1	6/2003	Christianson	
D567,073 S	4/2008	Soracco	2005/0172461 A1	8/2005	Hall	
D573,493 S	7/2008	Tsai	2007/0050956 A1	3/2007	Hu	
D577,572 S	9/2008	Kelleghan	2008/0005876 A1	1/2008	Christianson	
D579,059 S	10/2008	Chan	2008/0209700 A1	9/2008	Goldberg	

* cited by examiner



FIG.5



FIG.3

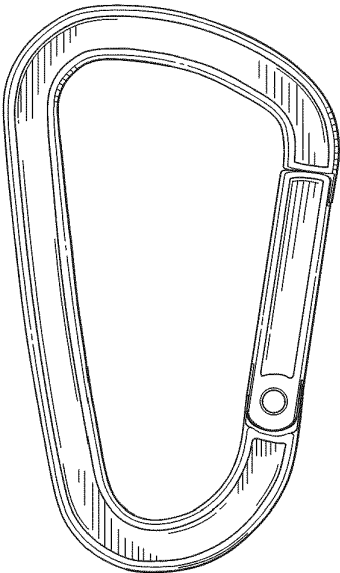


FIG.1

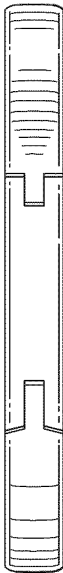


FIG.4

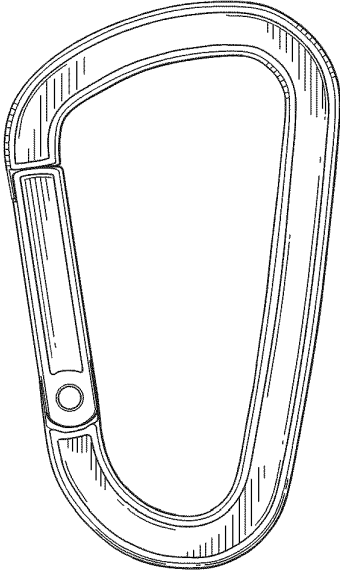


FIG.2



FIG.6

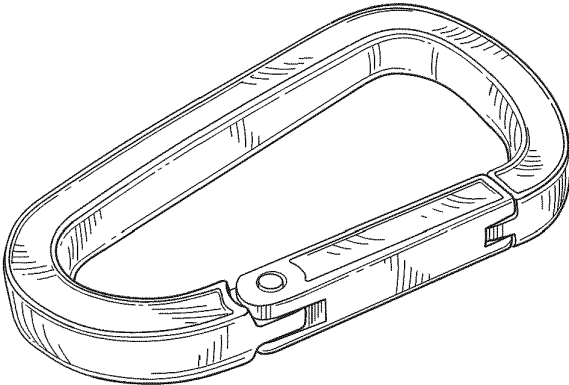


FIG.7