



US00D651341S

(12) **United States Design Patent**
Schmitz

(10) **Patent No.:** **US D651,341 S**
(45) **Date of Patent:** **** Dec. 27, 2011**

(54) **HAIR DRYER**

(75) Inventor: **Ingo Schmitz**, Duisburg (DE)

(73) Assignee: **WIK Far East Ltd.**, Hong Kong (CN)

(**) Term: **14 Years**

(21) Appl. No.: **29/336,975**

(22) Filed: **May 13, 2009**

(30) **Foreign Application Priority Data**

Nov. 14, 2008 (EM) 001038962

(51) **LOC (9) Cl.** **28-03**

(52) **U.S. Cl.** **D28/13**

(58) **Field of Classification Search** D28/12-19;
34/96-101; 392/380-385; 219/222

See application file for complete search history.

(56) **References Cited**

U.S. PATENT DOCUMENTS

- D265,136 S 6/1982 Madl
- D398,418 S 9/1998 Garrett et al.
- D398,717 S 9/1998 Kling et al.
- D407,847 S 4/1999 Gudefin
- D412,219 S * 7/1999 Goetschi D28/13
- D425,243 S * 5/2000 Mattis D28/13
- D425,665 S 5/2000 Kling et al.
- D429,028 S 8/2000 Muller et al.
- D432,716 S 10/2000 Goetschi
- D436,690 S 1/2001 Cruz et al.
- D438,340 S 2/2001 Gudefin
- D456,943 S * 5/2002 Micinilio et al. D28/13
- D460,214 S 7/2002 Parodi
- D470,976 S 2/2003 Rizzuto, Jr.
- D473,341 S 4/2003 Bokelman-Dumas
- D494,710 S 8/2004 Parodi
- D496,754 S 9/2004 Parodi
- D499,209 S 11/2004 Ikesaki
- D518,919 S 4/2006 Parodi

- D527,145 S 8/2006 Zimmermann
- D528,698 S 9/2006 Rizzuto, Jr.
- D541,981 S * 5/2007 Ceva D28/13
- D543,313 S 5/2007 Petruccielli, Jr.
- D544,645 S 6/2007 Ceva
- D601,750 S * 10/2009 Eigenstetter D28/13
- D605,355 S * 12/2009 Keong et al. D28/13

OTHER PUBLICATIONS

U.S. Appl. No. 29/335,835, filed Apr. 22, 2009; Inventor: Ingo Schmitz.

U.S. Appl. No. 29/335,836, filed Apr. 22, 2009; Inventor: Ingo Schmitz.

U.S. Appl. No. 29/336,040, filed Apr. 27, 2009; Inventor: Christoph Speh.

U.S. Appl. No. 29/336,088, filed Apr. 28, 2009; Inventor: Christoph Speh.

U.S. Appl. No. 29/336,101, filed Apr. 28, 2009; Inventor: Christoph Speh.

(Continued)

Primary Examiner — Zenia Bennett

(74) *Attorney, Agent, or Firm* — Margaret Polson; Oppedahl Patent Law Firm LLC

(57) **CLAIM**

The ornamental design for a hair dryer, as shown and described.

DESCRIPTION

FIG. 1 is a front perspective view of my new design for a hair dryer.

FIG. 2 is a right side elevation view of FIG. 1.

FIG. 3 is a left side elevation view of FIG. 1.

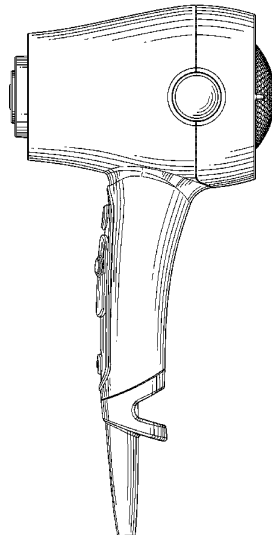
FIG. 4 is a front side elevation view of FIG. 1.

FIG. 5 is a rear side elevation view of FIG. 1.

FIG. 6 is a top plan view of FIG. 1; and,

FIG. 7 is a bottom plan view of FIG. 1.

1 Claim, 5 Drawing Sheets



US D651,341 S

Page 2

OTHER PUBLICATIONS

U.S. Appl. No. 29/336,102, filed Apr. 28, 2009; Inventor: Ingo Schmitz.

U.S. Appl. No. 29/336,973, filed May 13, 2009; Inventor: Ingo Schmitz.

* cited by examiner

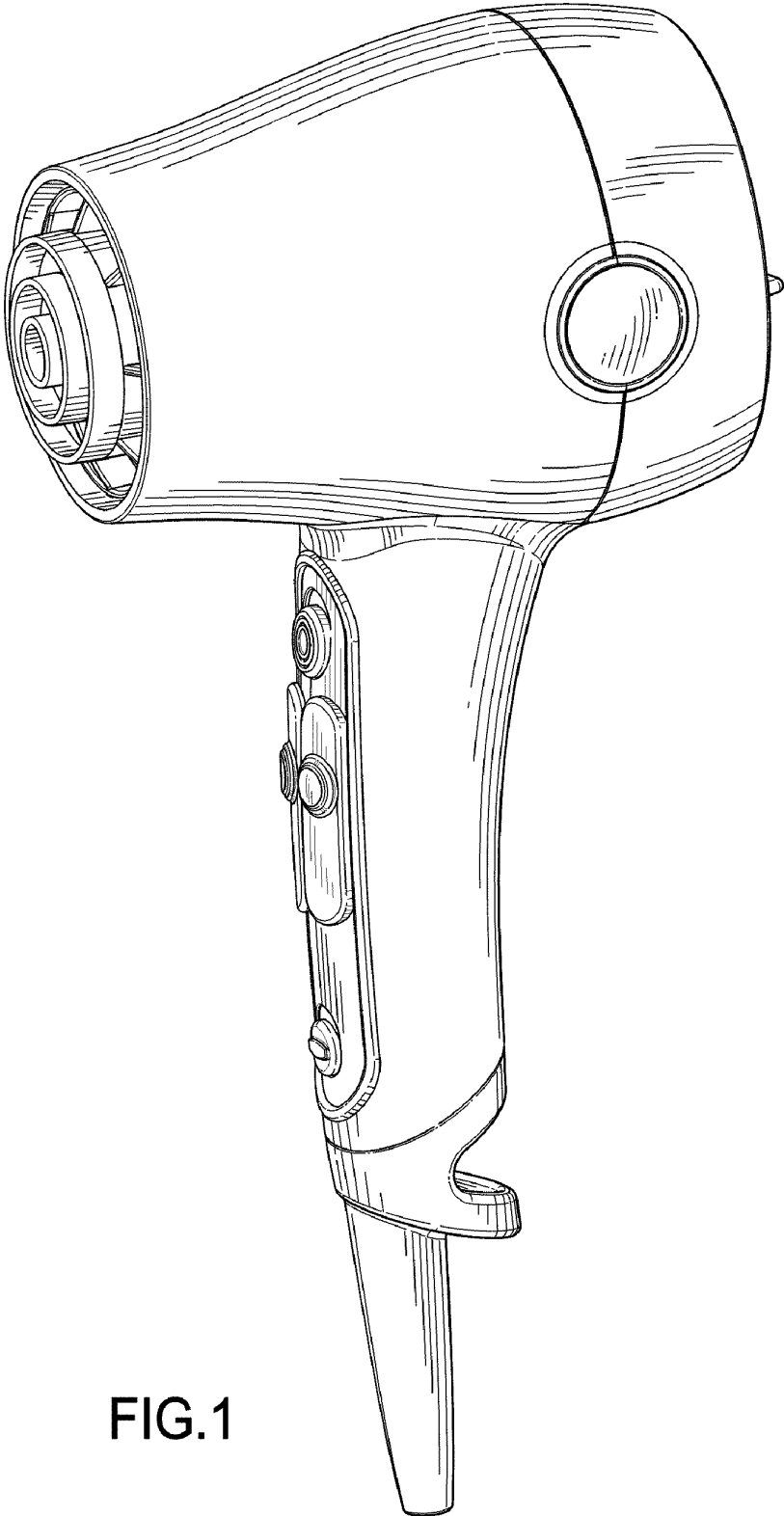


FIG. 1

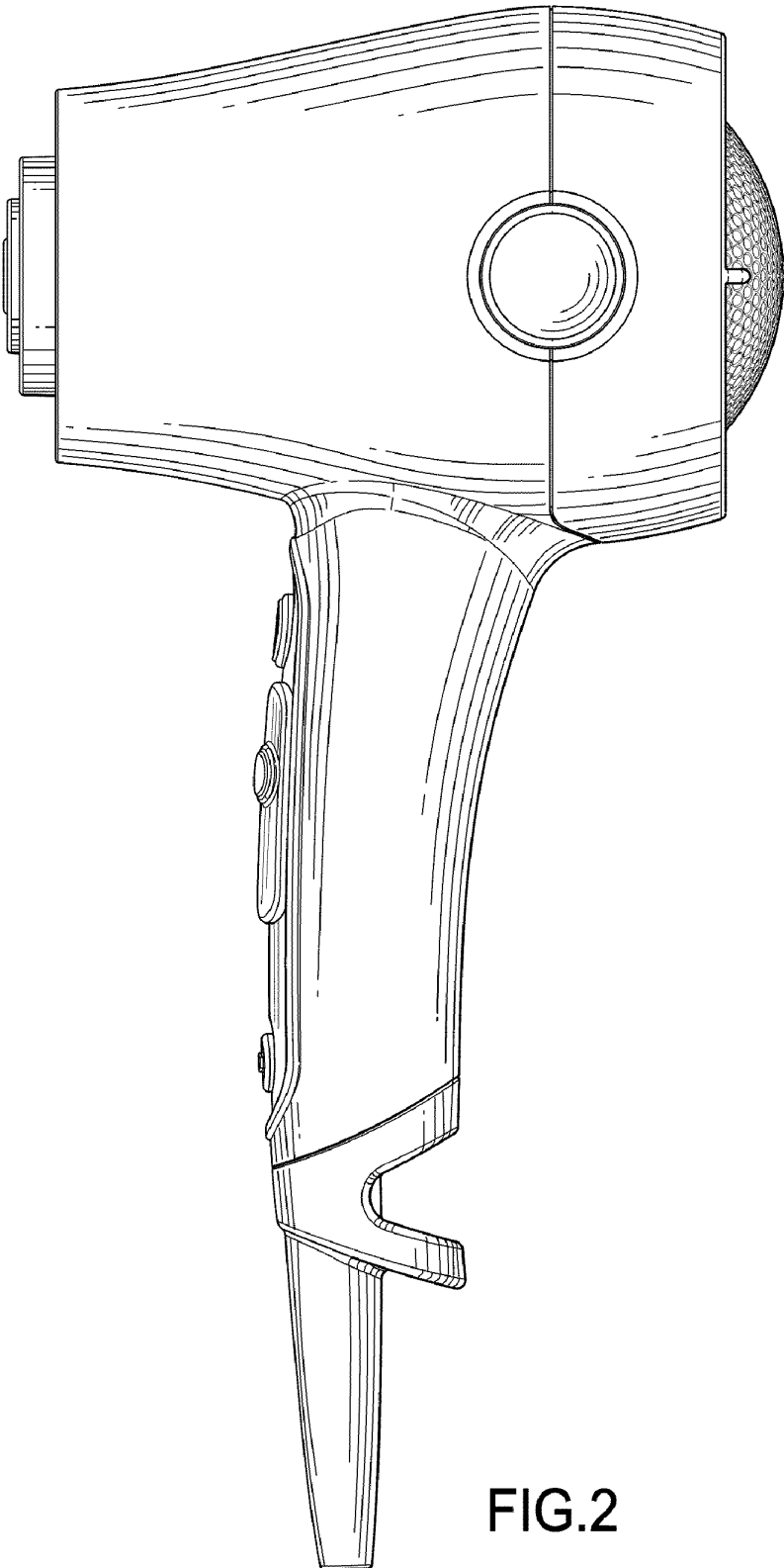


FIG.2

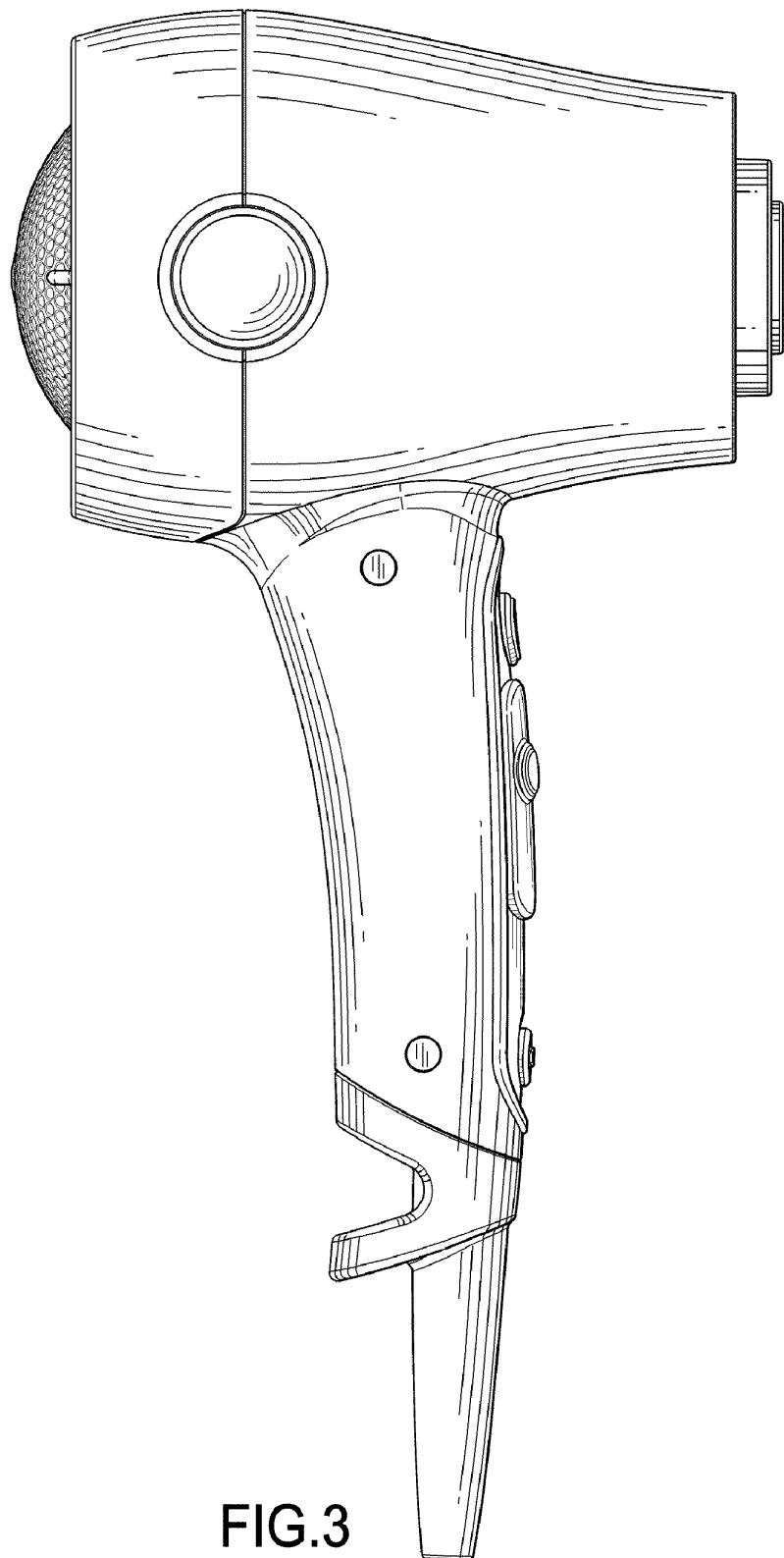


FIG.3

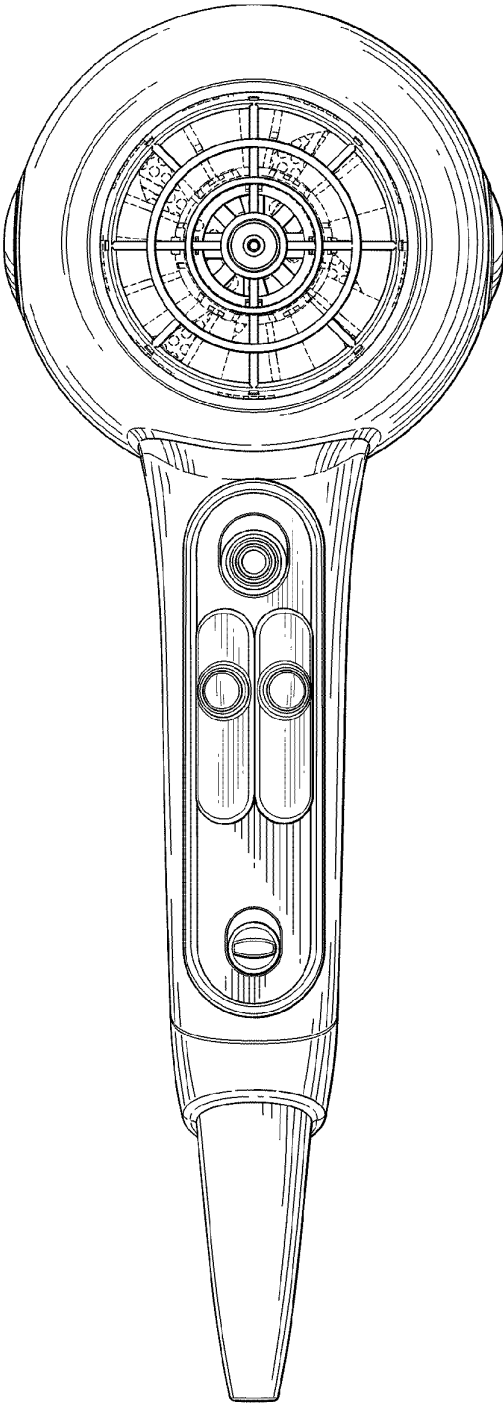


FIG.4

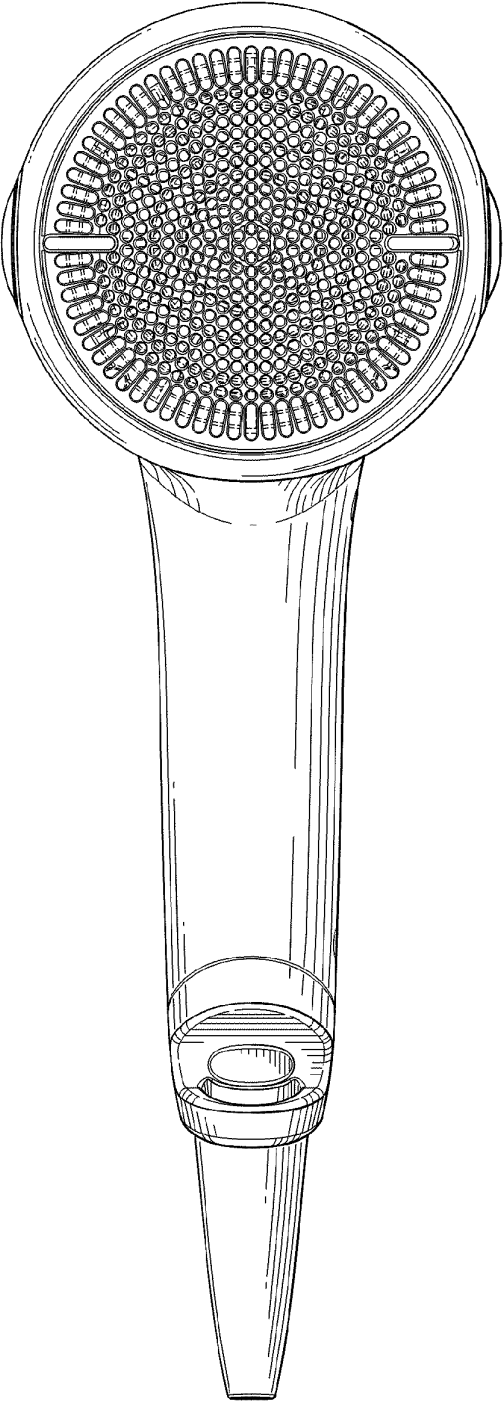


FIG.5

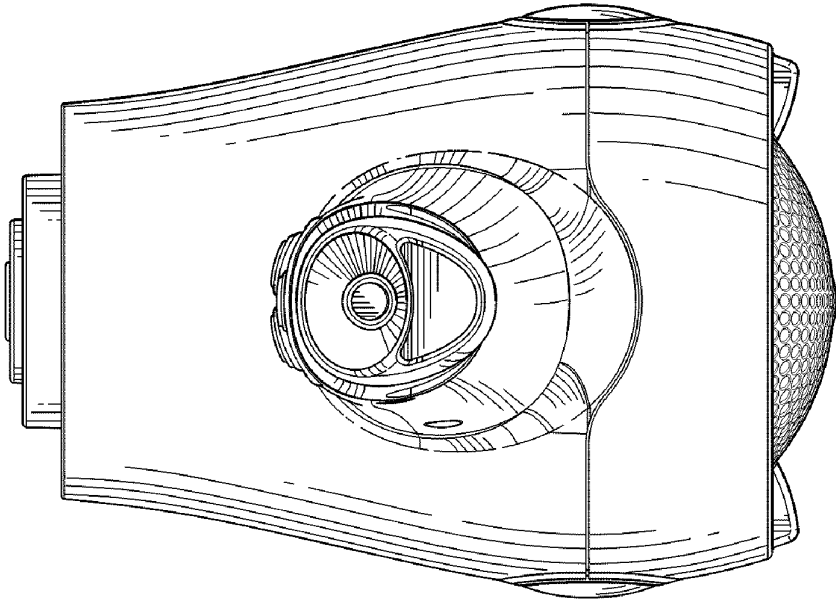


FIG. 6

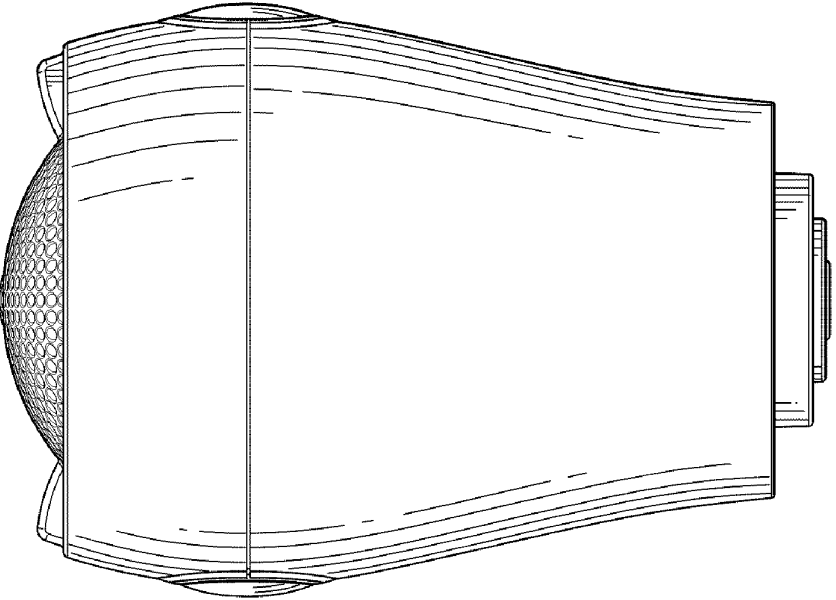


FIG. 7