



US00D615723S

(12) **United States Design Patent**
Walter

(10) **Patent No.:** **US D615,723 S**

(45) **Date of Patent:** **** May 11, 2010**

- (54) **CART**
- (75) Inventor: **Ivor Michel Walter**, Boulder, CO (US)
- (73) Assignee: **AMSA, Inc**, Boulder, CO (US)
- (**) Term: **14 Years**

D538,501 S *	3/2007	Walter	D34/21
D542,997 S	5/2007	Coderre	
D548,421 S	8/2007	Walter	
D566,372 S *	4/2008	Walter	D34/19
D580,617 S	11/2008	Walter	
2001/0022436 A1*	9/2001	Simard	280/33.991

- (21) Appl. No.: **29/342,366**
- (22) Filed: **Aug. 24, 2009**

OTHER PUBLICATIONS

MarkeTools Stock Trucks, Scan of website [<http://www.marketools.net/stocktrucks.html>] showing carts manufactured by Marke Tools.

(Continued)

Primary Examiner—Cynthia E Ramirez
(74) *Attorney, Agent, or Firm*—Margaret Polson; Oppedahl Patent Law Firm LLC

- (51) **LOC (9) Cl.** **12-02**
- (52) **U.S. Cl.** **D34/12**
- (58) **Field of Classification Search** D34/12-27;
280/33.996, 33.991, 33.992, 33.995, 33.997
See application file for complete search history.

CLAIM

(57) The ornamental design for a cart, as shown and described.

(56) **References Cited**

U.S. PATENT DOCUMENTS

2,764,419 A	9/1956	Enders	
3,039,564 A *	6/1962	Shaukis	186/63
3,337,227 A	8/1967	Castaldo	
3,429,403 A	2/1969	Drechsler et al.	
3,645,554 A *	2/1972	Von Stein et al.	280/33.991
D246,301 S	11/1977	Trubiano	
D280,858 S *	10/1985	Muellner et al.	D34/18
4,826,186 A	5/1989	Hagelin	
4,850,604 A	7/1989	Le Marchand et al.	
D331,135 S	11/1992	Lewandowski et al.	
D348,549 S *	7/1994	Trubiano	D34/20
5,435,582 A *	7/1995	Davidson	280/33.992
D365,904 S	1/1996	Adamson et al.	
D367,348 S	2/1996	Basharat	
5,507,507 A *	4/1996	Davidson	280/33.991
5,595,394 A	1/1997	Adamson	
D379,834 S *	6/1997	Huang	D21/534
D431,704 S *	10/2000	Perez	D34/19
D472,027 S *	3/2003	Walter	D34/21
6,644,674 B2 *	11/2003	Simard	280/33.991

DESCRIPTION

FIG. 1 is a front perspective view of my new design for a cart.
 FIG. 2 is a right side elevation view, with the left side being a mirror image thereof;
 FIG. 3 is a front side elevation view of FIG. 1.
 FIG. 4 is a back side elevation view of FIG. 1.
 FIG. 5 is a top plan view of FIG. 1.
 FIG. 6 is a bottom plan view of FIG. 1.
 FIG. 7 is a front perspective view of the cart with the top shelf in its alternate position, the only difference being the positions of the top shelf, it being understood that all other elements are the same; and,
 FIG. 8 is a right side elevation view of FIG. 7, with the left side being a mirror image thereof.

1 Claim, 8 Drawing Sheets



US D615,723 S

Page 2

OTHER PUBLICATIONS

Win-Holt Material Handling Equipment, Scan of brochure showing carts manufactured by Win-Hold Equipment Group.

U.S. Appl. No. 29/335,591, filed Apr. 17, 2009; Inventor: Ivor Michel Walter.

* cited by examiner

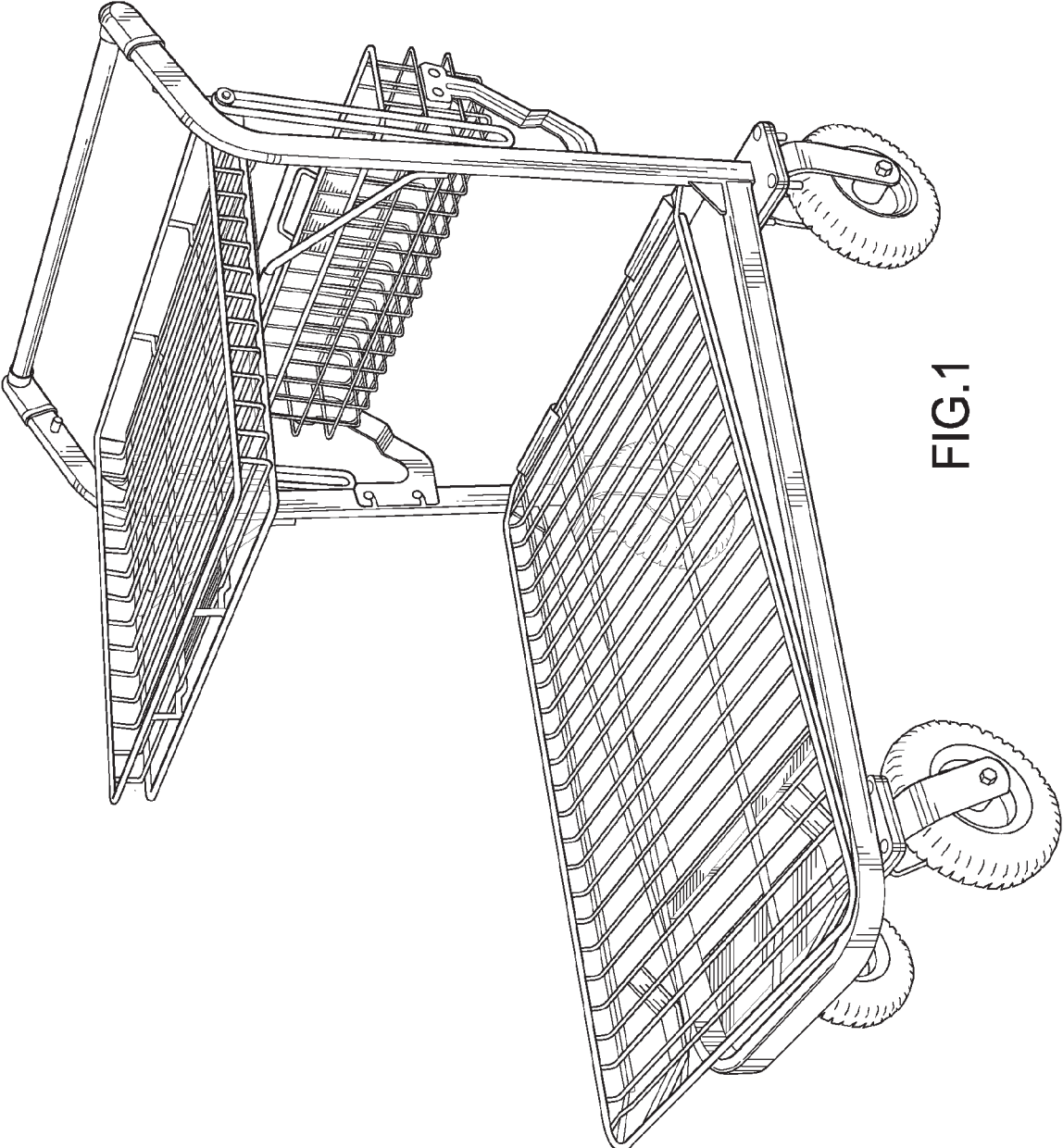


FIG.1

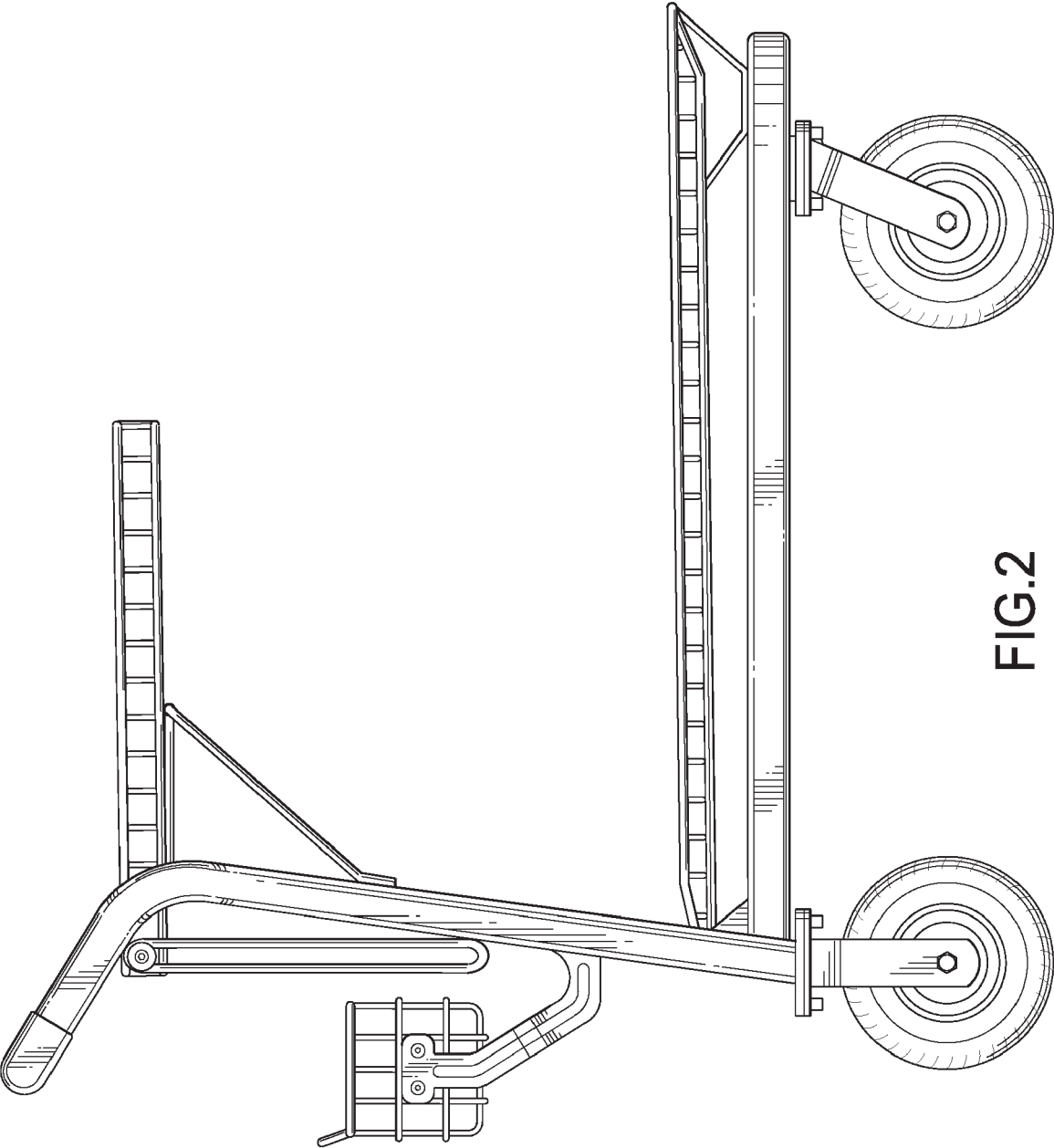


FIG.2

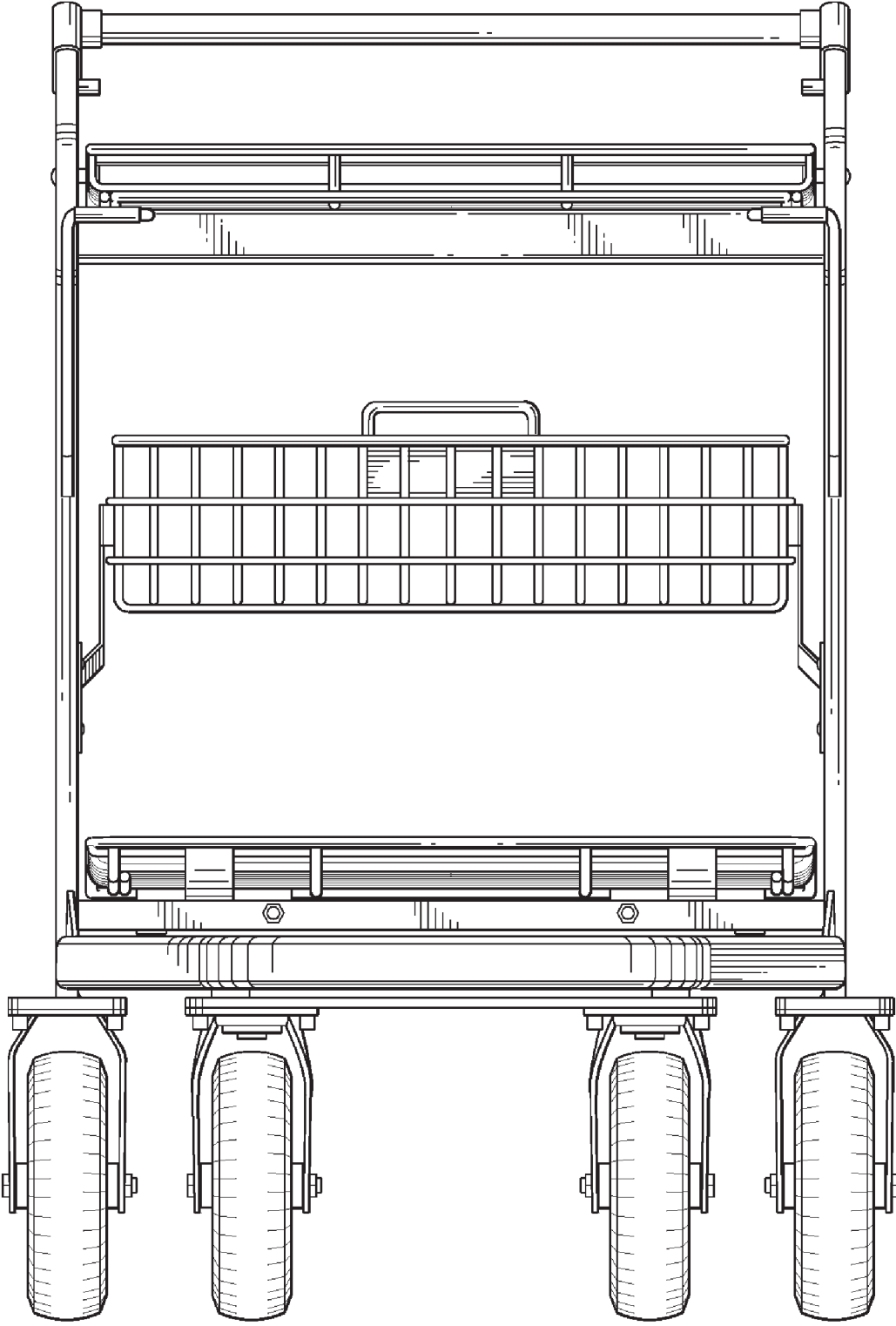


FIG.3

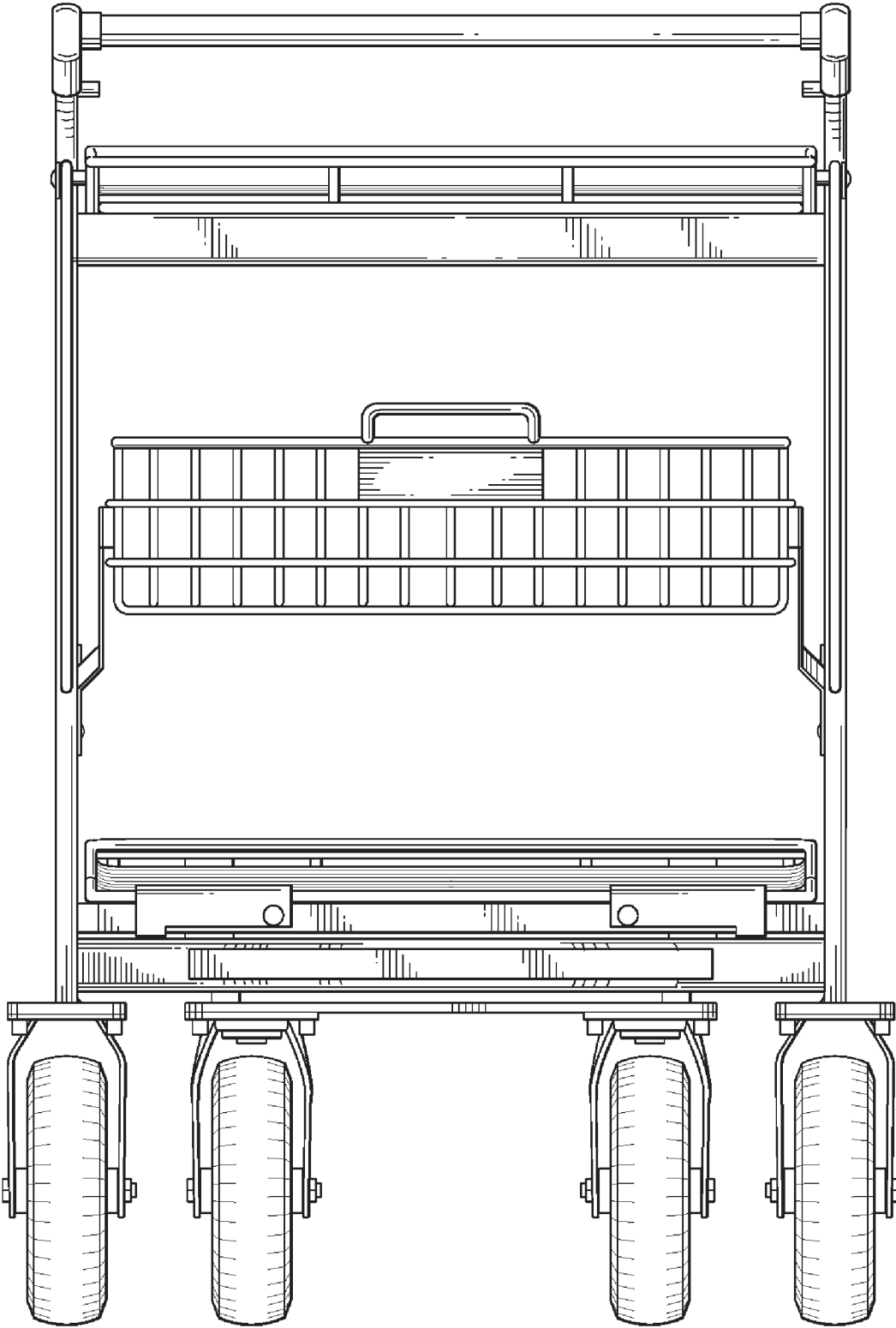


FIG.4

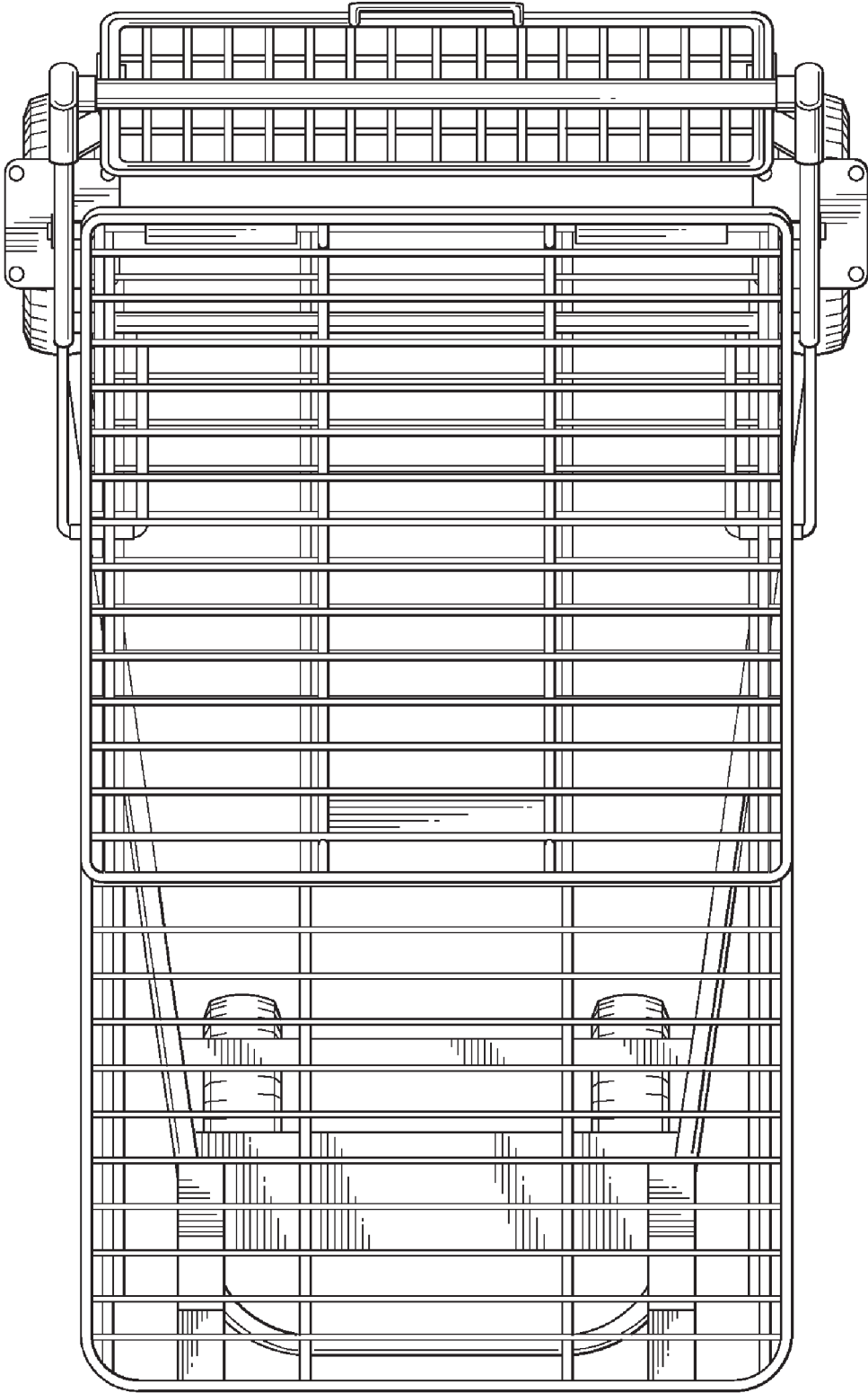


FIG.5

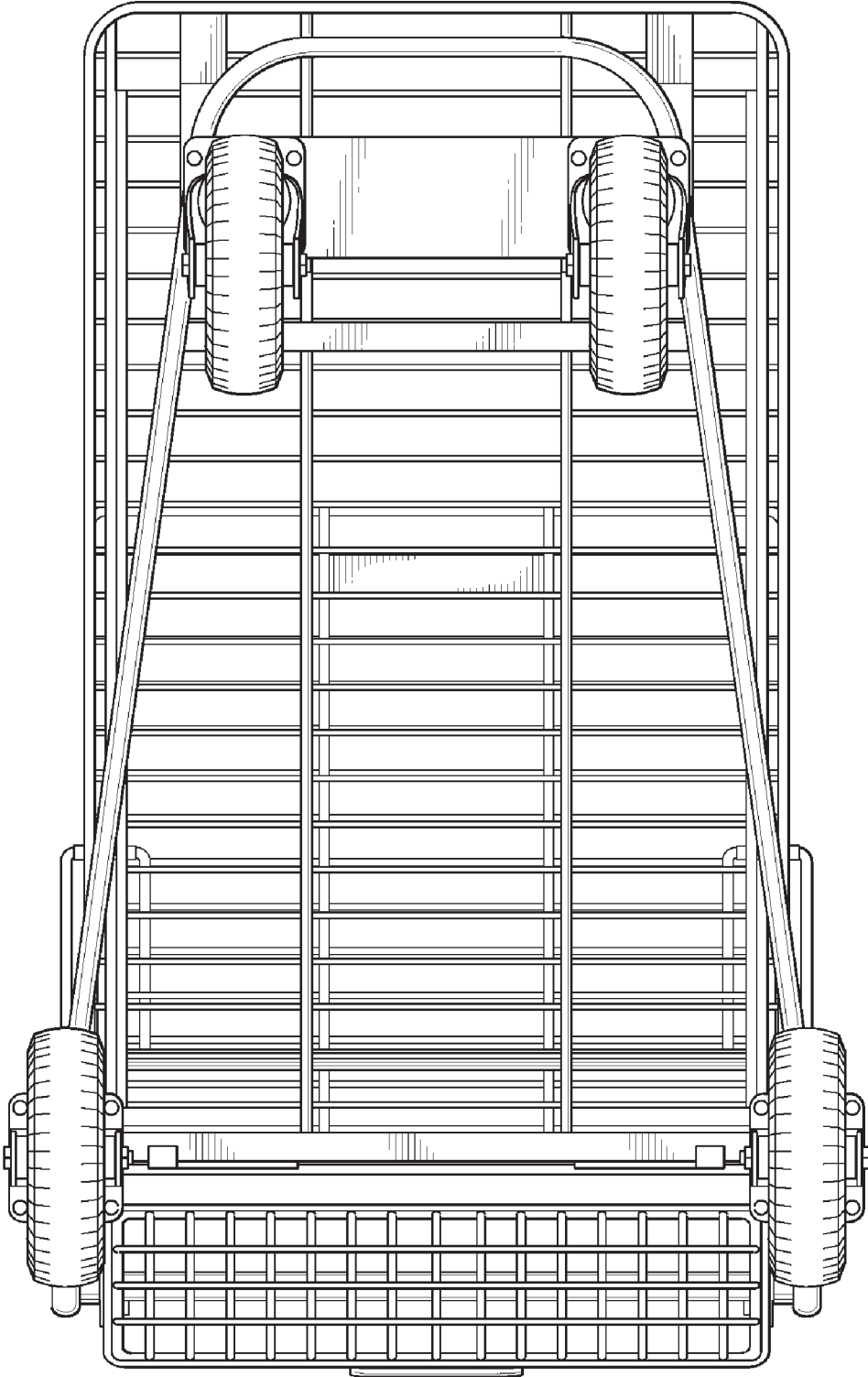


FIG.6

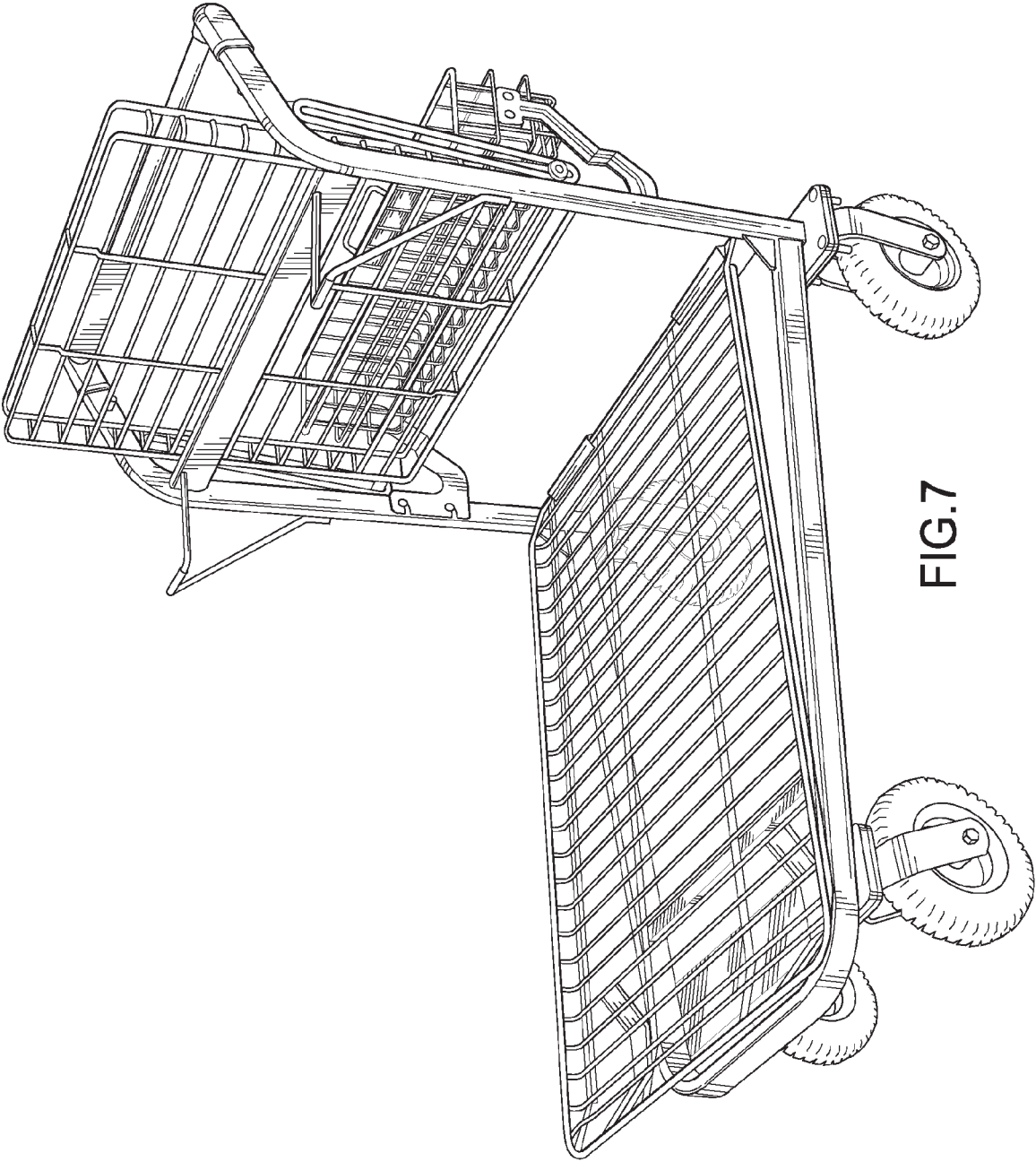


FIG. 7

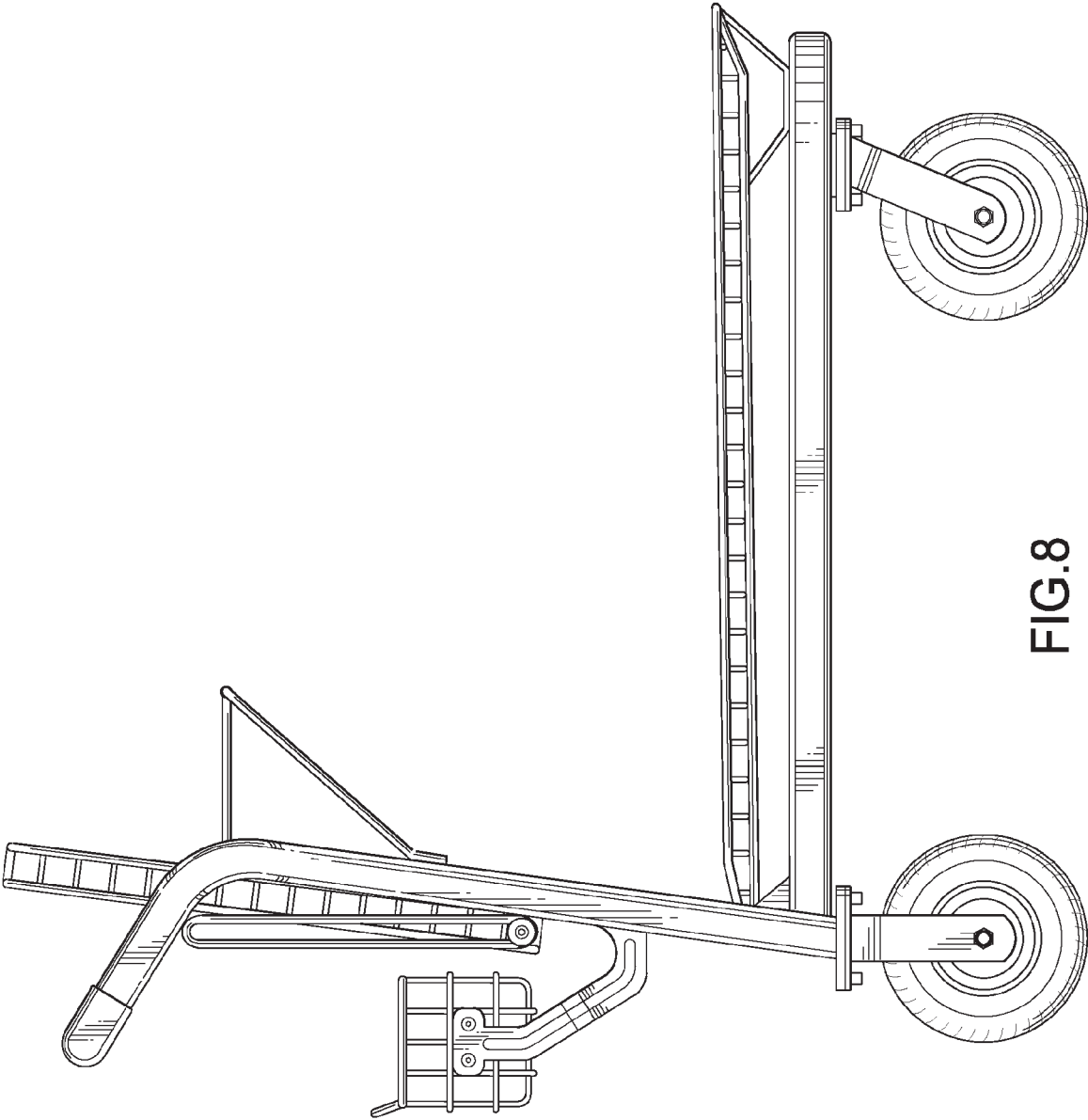


FIG.8