



US00D614937S

(12) **United States Design Patent**  
**Kelleghan**

(10) **Patent No.:** **US D614,937 S**

(45) **Date of Patent:** **\*\* May 4, 2010**

(54) **DECORATED SURFACE CARABINER**

(75) Inventor: **Brian James Kelleghan**, Longmont, CO  
(US)

(73) Assignee: **Bison Designs, LLC**, Longmont, CO  
(US)

(\*\*) Term: **14 Years**

(21) Appl. No.: **29/340,430**

(22) Filed: **Jul. 17, 2009**

(51) **LOC (9) Cl.** ..... **08-08**

(52) **U.S. Cl.** ..... **D8/356**

(58) **Field of Classification Search** ..... D8/105,  
D8/107, 333, 349, 356, 358, 357, 367, 372,  
D8/373, 383; D11/200, 215; 24/573.11,  
24/579.09, 579.11, 592.11, 599.1, 599.9,  
24/600.1; 182/5

See application file for complete search history.

(56) **References Cited**

**U.S. PATENT DOCUMENTS**

- D279,314 S \* 6/1985 Ishida et al. .... D24/143
- 4,835,823 A 6/1989 Contat
- D330,669 S 11/1992 Hui-Chuan
- 5,329,675 A 7/1994 McLean et al.
- 5,357,657 A \* 10/1994 Petzl ..... 24/599.9
- D375,252 S \* 11/1996 Serra Fabregas ..... D8/356
- D391,840 S 3/1998 Striebel
- D401,505 S \* 11/1998 Michael et al. .... D9/434
- 5,878,834 A \* 3/1999 Brainerd et al. .... 182/3
- D433,310 S \* 11/2000 Luquire ..... D8/333
- D433,312 S \* 11/2000 Luquire ..... D8/333
- D446,422 S 8/2001 Sumner et al.
- D447,680 S 9/2001 Kelleghan
- D462,891 S \* 9/2002 Kelleghan ..... D8/372
- D468,997 S \* 1/2003 Chang ..... D8/356
- D469,023 S 1/2003 Mah
- 6,527,434 B1 3/2003 Fox et al.
- D473,769 S 4/2003 Kelleghan
- D474,095 S \* 5/2003 Luquire ..... D8/99
- D476,342 S 6/2003 Yoshida et al.

- 6,622,354 B1 \* 9/2003 Klingier ..... 24/601.5
- D482,251 S 11/2003 Kelleghan
- D483,647 S \* 12/2003 Lo ..... D8/333
- D488,971 S 4/2004 Kelleghan
- D488,973 S 4/2004 Kelleghan
- D500,950 S 1/2005 Kelleghan
- 6,912,836 B2 \* 7/2005 Hsu ..... 59/85

(Continued)

**FOREIGN PATENT DOCUMENTS**

JP 2003287170 10/2003

*Primary Examiner*—Robert M Spear

*Assistant Examiner*—Karen Acker

(74) *Attorney, Agent, or Firm*—Margaret Polson; Oppedahl  
Patent Law Firm LLC

(57) **CLAIM**

The ornamental design for a decorated surface carabiner, as shown and described.

**DESCRIPTION**

FIG. 1 is a top plan view of my new design for a decorated surface carabiner.

FIG. 2 is a bottom plan view of FIG. 1.

FIG. 3 is a left side elevation view of FIG. 1.

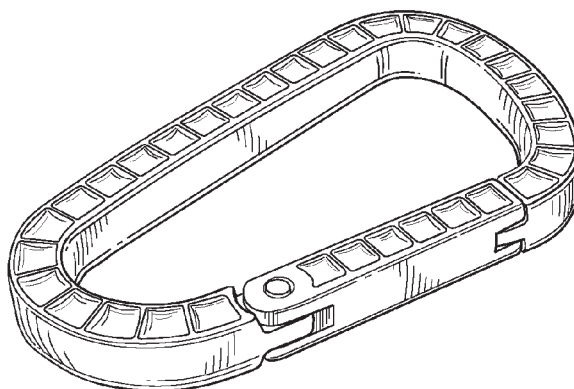
FIG. 4 is a right side elevation view of FIG. 1.

FIG. 5 is a front side elevation view of FIG. 1.

FIG. 6 is rear side elevation view of FIG. 1; and,

FIG. 7 is a top perspective view of FIG. 1.

**1 Claim, 1 Drawing Sheet**



# US D614,937 S

Page 2

## U.S. PATENT DOCUMENTS

|              |         |                   |         |                   |         |                       |          |
|--------------|---------|-------------------|---------|-------------------|---------|-----------------------|----------|
| D521,362 S   | 5/2006  | Kelleghan         |         | D580,257 S *      | 11/2008 | Squyres .....         | D8/349   |
| D525,520 S   | 7/2006  | Martin            |         | D590,237 S        | 4/2009  | Parisi et al.         |          |
| D526,886 S   | 8/2006  | Kramer            |         | D590,699 S *      | 4/2009  | Szymanski et al. .... | D8/373   |
| D527,988 S * | 9/2006  | Shetler .....     | D8/356  | D591,584 S        | 5/2009  | Kelleghan             |          |
| D529,789 S * | 10/2006 | Klecker .....     | D8/356  | D594,315 S *      | 6/2009  | Szymanski et al. .... | D8/373   |
| D556,545 S * | 12/2007 | Titas et al. .... | D8/354  | D600,534 S *      | 9/2009  | Tokumoto .....        | D8/354   |
| D565,392 S   | 4/2008  | Shetler           |         | 2003/0106190 A1 * | 6/2003  | Christianson .....    | 24/600.1 |
| D567,073 S * | 4/2008  | Soracco .....     | D8/387  | 2005/0172461 A1   | 8/2005  | Hall                  |          |
| D573,493 S   | 7/2008  | Tsai              |         | 2007/0050956 A1   | 3/2007  | Hu                    |          |
| D577,572 S   | 9/2008  | Kelleghan         |         | 2008/0005876 A1 * | 1/2008  | Christianson .....    | 24/600.1 |
| D579,059 S * | 10/2008 | Chan .....        | D21/397 | 2008/0209700 A1 * | 9/2008  | Goldberg .....        | 24/599.6 |

\* cited by examiner



FIG.5



FIG.3

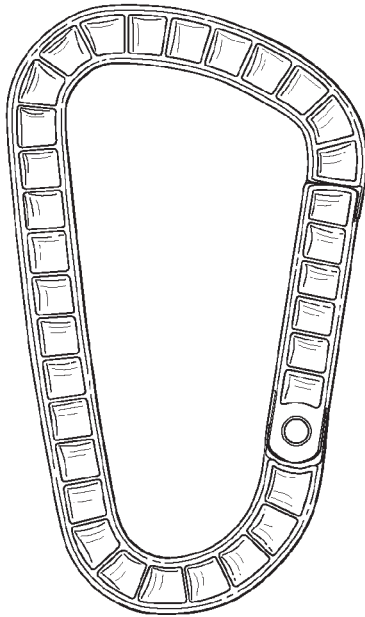


FIG.1



FIG.4

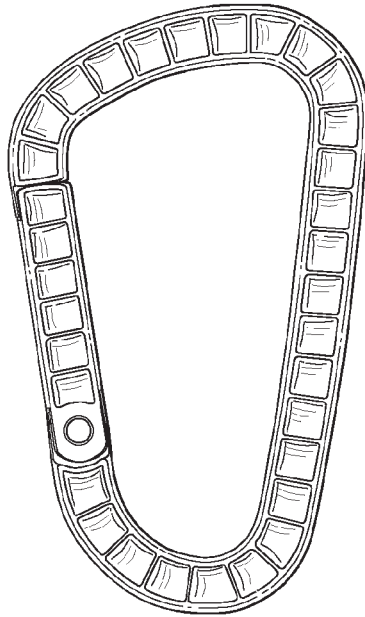


FIG.2



FIG.6

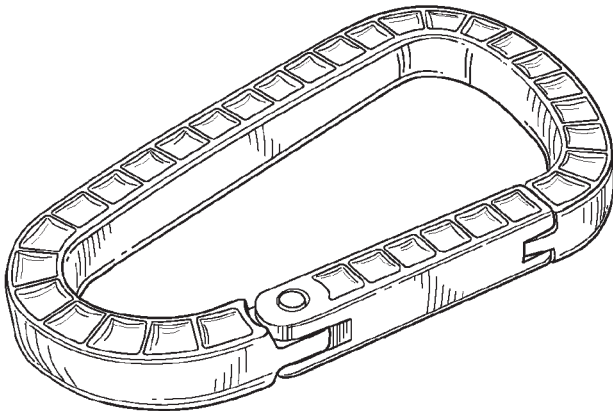


FIG.7