



US00D607712S

(12) **United States Design Patent**
Kelleghan

(10) **Patent No.:** **US D607,712 S**
(45) **Date of Patent:** **** *Jan. 12, 2010**

(54) **DOUBLE CLIP**

FOREIGN PATENT DOCUMENTS

(75) Inventor: **Brian James Kelleghan**, Longmont, CO (US)

DE 3636494 4/1988

(Continued)

(73) Assignee: **Bison Designs, LLC**, Longmont, CO (US)

OTHER PUBLICATIONS

(**) Term: **14 Years**

Nite Ize S-Biner Scan of website showing prior art carabiners sold by Nite Ize. Carabiners shown are admitted prior art to current design by Applicant.

(Continued)

(21) Appl. No.: **29/338,599**

(22) Filed: **Jun. 15, 2009**

Primary Examiner—Robert M Spear
Assistant Examiner—Karen Acker
(74) *Attorney, Agent, or Firm*—Margaret Polson; Oppedahl Patent Law Firm LLC

Related U.S. Application Data

(62) Division of application No. 29/321,703, filed on Jul. 22, 2008, now Pat. No. Des. 594,738.

(57) **CLAIM**

- (51) **LOC (9) Cl.** **08-08**
- (52) **U.S. Cl.** **D8/356**
- (58) **Field of Classification Search** D8/105,
D8/107, 333, 349, 356, 358, 357, 373, 383;
D11/200, 215; 24/573.11, 579.09, 579.11,
24/592.11, 599.1, 599.9, 600.1; 182/5
See application file for complete search history.

The ornamental design for a double clip, as shown and described.

DESCRIPTION

(56) **References Cited**

U.S. PATENT DOCUMENTS

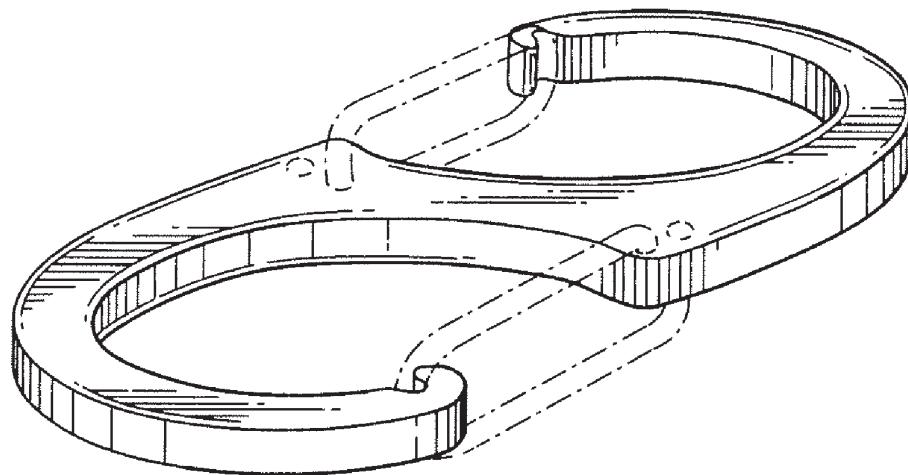
- 0,025,082 A 8/1859 Pollak
- 0,307,280 A 10/1884 Farmer
- 0,547,877 A 10/1895 Covert
- 582,780 A * 5/1897 Eldridge 24/582.11
- 0,947,764 A 1/1910 Schartow
- 1,060,736 A 5/1913 Bayer
- 1,252,184 A 1/1918 Schreyer

FIG. 1 is a top plan view of my new design for a double clip.
FIG. 2 is a bottom plan view of FIG. 1.
FIG. 3 is a left side elevation view of FIG. 1.
FIG. 4 is a right side elevation view of FIG. 1.
FIG. 5 is a front side elevation view of FIG. 1.
FIG. 6 is rear side elevation view of FIG. 1; and,
FIG. 7 is a top perspective view of FIG. 1.

The portions shown in dotted lines illustrating gates are included to show the design in a position of use only and are not part of the claimed design.

(Continued)

1 Claim, 1 Drawing Sheet



US D607,712 S

U.S. PATENT DOCUMENTS

D055,819 S 7/1920 Roebuck
1,449,978 A 3/1923 Fordyce
1,504,416 A 8/1924 Baude
1,605,853 A 11/1926 O'Bannon
1,709,235 A * 4/1929 Shaffer 294/82.19
1,764,813 A 6/1930 Thornley
2,064,591 A 12/1936 David
2,357,478 A * 9/1944 Koch 24/600.9
D273,273 S * 4/1984 Faidide D8/367
D282,904 S * 3/1986 Faidide D8/367
4,622,724 A 11/1986 Dupre
D360,605 S * 7/1995 Limmer D11/221
D364,552 S 11/1995 Mathiassen
D407,297 S * 3/1999 Mihailovic D8/367
5,940,943 A 8/1999 Kloster
D441,638 S 5/2001 Kelleghan
D455,642 S * 4/2002 Kelleghan D8/367
D456,693 S 5/2002 Kelleghan
D462,891 S * 9/2002 Kelleghan D8/372
D468,997 S 1/2003 Chang
D482,269 S * 11/2003 Martello D8/395
D492,188 S 6/2004 Goldberg
D493,092 S * 7/2004 Kalat D8/367
D520,345 S * 5/2006 Kelleghan D8/356
D521,362 S * 5/2006 Kelleghan D8/356

D538,138 S * 3/2007 Knight D8/356
D568,127 S 5/2008 Oas
D570,420 S 6/2008 Brookins
D577,572 S * 9/2008 Kelleghan D8/356
D577,574 S * 9/2008 Liang D8/367
D592,943 S * 5/2009 Kamangar et al. D8/367
2005/0087662 A1 * 4/2005 Jacobs 248/339
2005/0172461 A1 * 8/2005 Hall 24/599.9
2008/0016659 A1 1/2008 Peterson
2008/0302311 A1 12/2008 Blocker
2008/0306496 A1 12/2008 Regner
2009/0000086 A1 * 1/2009 Bing 24/592.11
2009/0178250 A1 * 7/2009 Brown et al. 24/600.1

FOREIGN PATENT DOCUMENTS

JP 2008-232154 10/2008

OTHER PUBLICATIONS

Promotional Keychains Dollar Sign Carabiner Keychain Scan of website showing prior art carabiner sold by Promotional Keychains. Carabiner shown is admitted prior art to current design by Applicant. S-Shape Scan of Applicant's website showing prior art carabiner sold by Applicant. Carabiner shown is admitted prior art to current design by Applicant.

* cited by examiner



FIG. 5

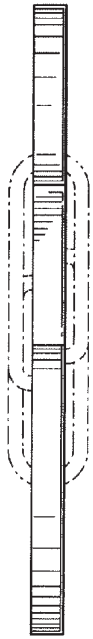


FIG. 3

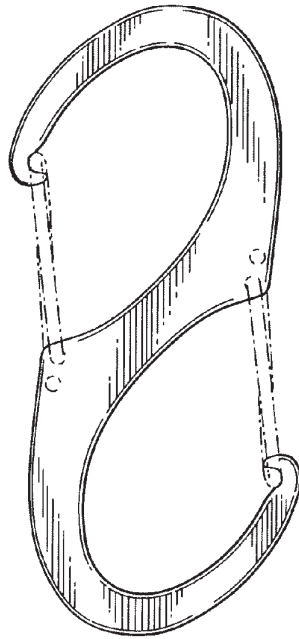


FIG. 1



FIG. 4

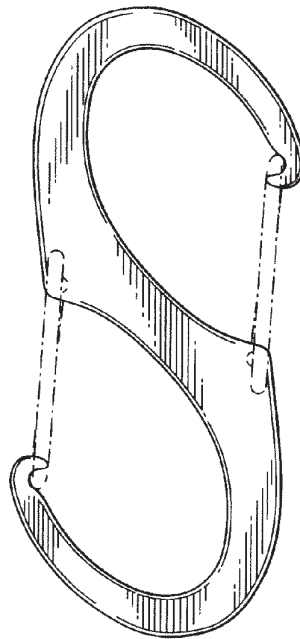


FIG. 2

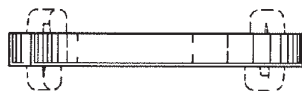


FIG. 6

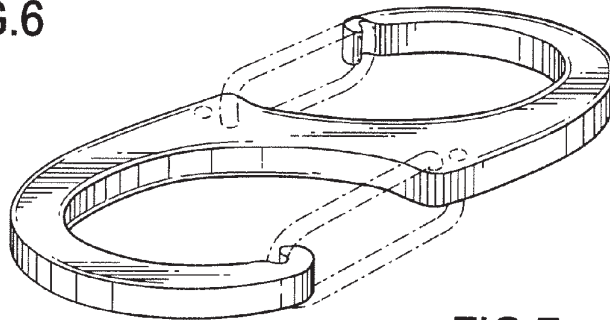


FIG. 7