



US00D603030S

(12) **United States Design Patent**
Pleuger

(10) **Patent No.:** **US D603,030 S**
(45) **Date of Patent:** **** Oct. 27, 2009**

(54) **RADIANT HEATER**

(75) Inventor: **Carsten Pleuger**, Dormagen (DE)
(73) Assignee: **Enders Colsman AG**, Werdohl (DE)
(**) Term: **14 Years**
(21) Appl. No.: **29/332,963**
(22) Filed: **Feb. 27, 2009**

(30) **Foreign Application Priority Data**
Aug. 29, 2008 (EM) 000994009

(51) **LOC (9) Cl.** **23-03**
(52) **U.S. Cl.** **D23/317; D23/332; D23/335**
(58) **Field of Classification Search** **D23/323,**
D23/328, 332, 336, 339, 342, 386, 338; 126/25 R,
126/67, 92 A, 92 B, 9 A; 362/92, 217, 253;
431/331, 344
See application file for complete search history.

(56) **References Cited**

U.S. PATENT DOCUMENTS

4,782,814 A * 11/1988 Cherryholmes 126/92 B
D532,500 S * 11/2006 Yeung D23/339
D541,411 S * 4/2007 Dumortier D23/415
D567,916 S * 4/2008 McColgin et al. D23/317

FOREIGN PATENT DOCUMENTS

EM 00782936 9/2007

OTHER PUBLICATIONS

Enders brochure Scan of brochure showing Applicant's prior art heaters. Heaters shown are to current design by Applicant.
* cited by examiner

Primary Examiner—T. Chase Nelson
Assistant Examiner—Ania K Dworzecka
(74) *Attorney, Agent, or Firm*—Margaret Polson; Oppedahl Patent Law Firm LLC

(57) **CLAIM**

The ornamental design for a radiant heater, as shown and described.

DESCRIPTION

FIG. 1 is a front side elevation view of my new design for a radiant heater, with the front grill being in dotted lines and does not form part of the claimed invention.

FIG. 2 is a back side view of FIG. 1

FIG. 3 is a left side elevation view of FIG. 1.

FIG. 4 is a right side elevation view of FIG. 1.

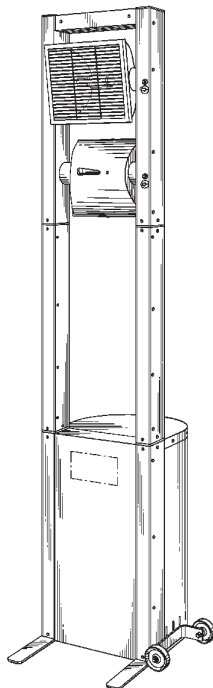
FIG. 5 is a top side plan view of FIG. 1.

FIG. 6 is a bottom side plan view of FIG. 1; and,

FIG. 7 is front perspective view of FIG. 1, with the bottom heater element rotated about 180 degrees, each heater element is capable of being rotated independently, all other elements being identical.

In the drawings, the broken lines depict environmental subject matter only and form no part of the claimed design.

1 Claim, 3 Drawing Sheets



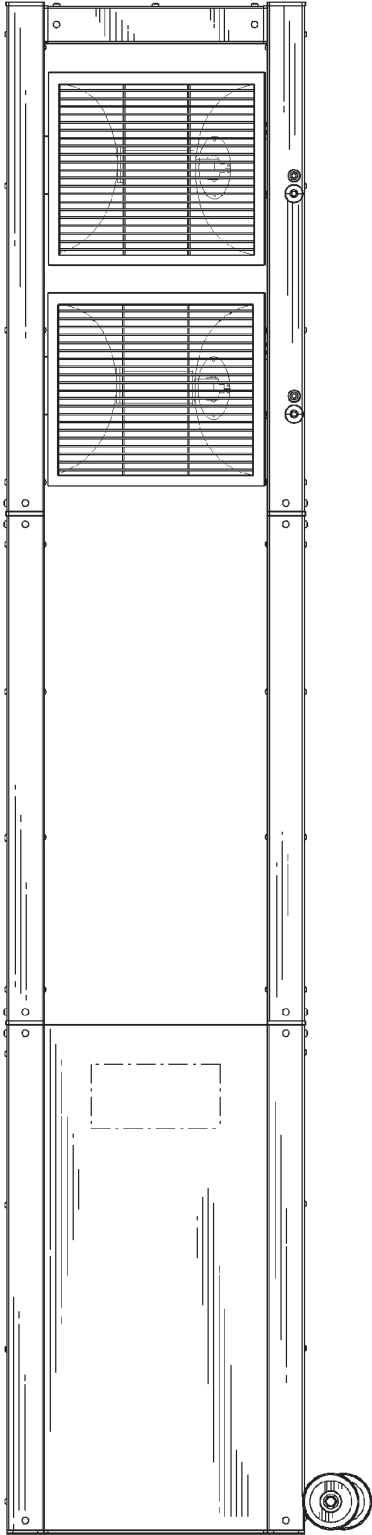


FIG.1

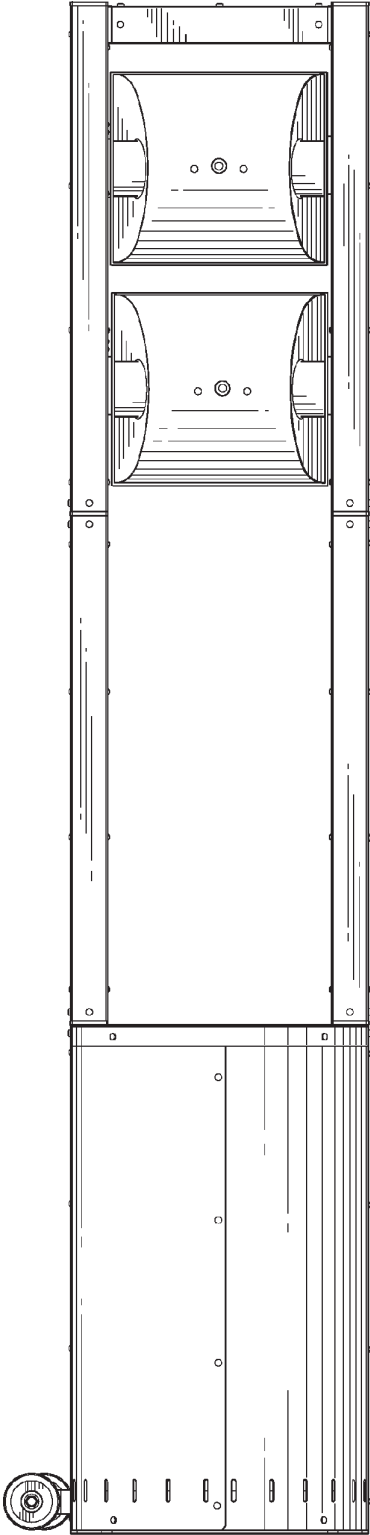


FIG.2

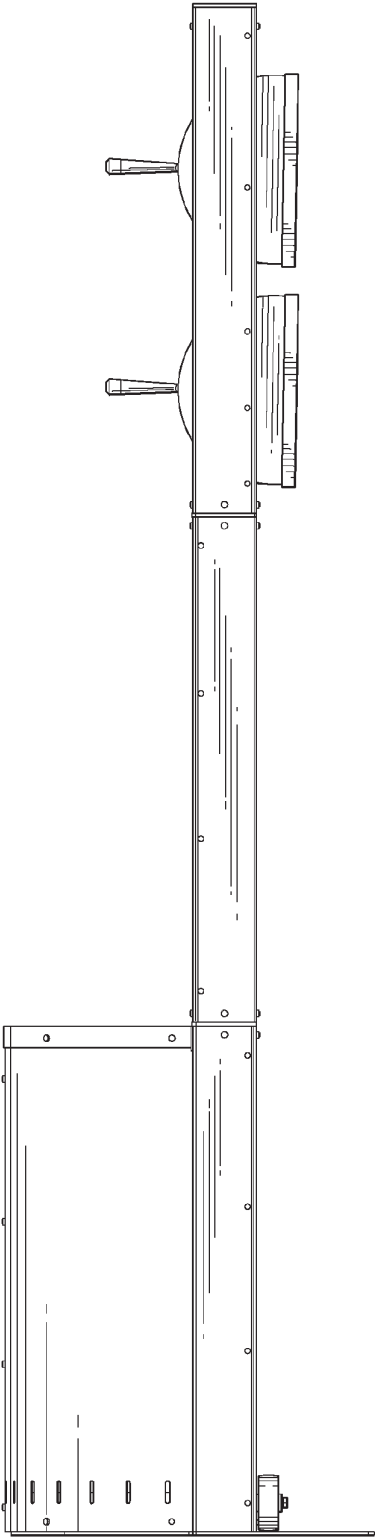


FIG.3

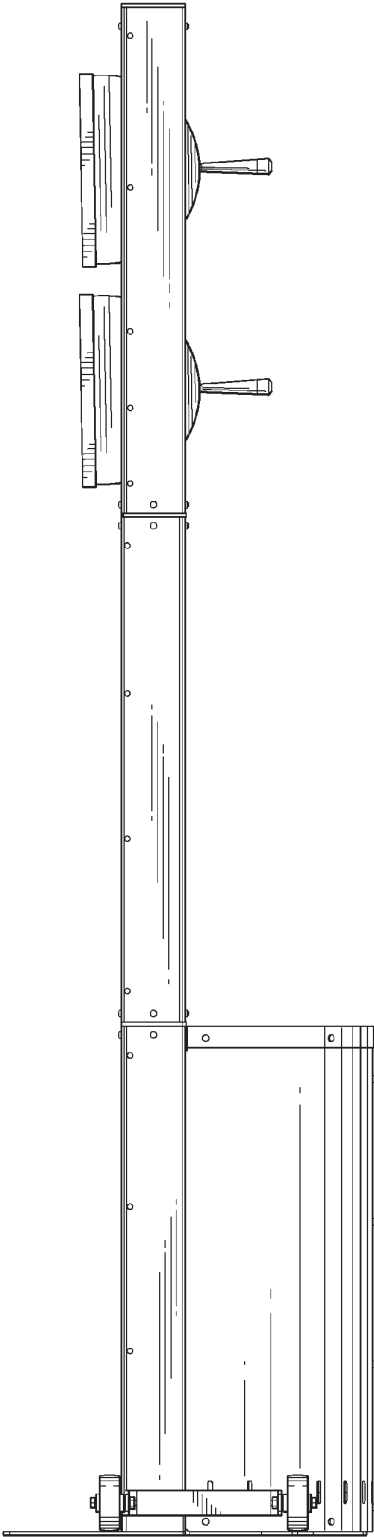


FIG.4

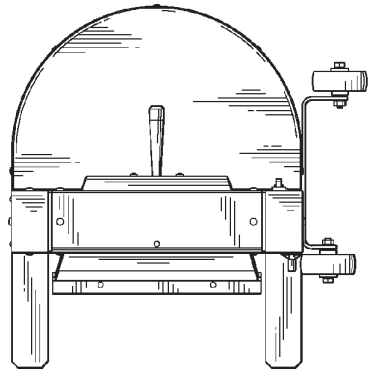


FIG. 5

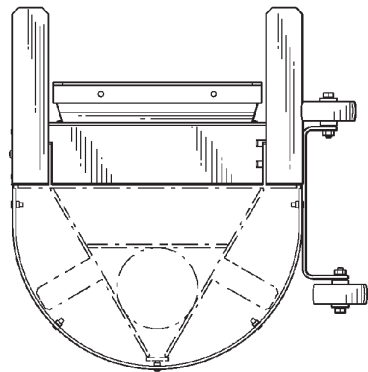


FIG. 6

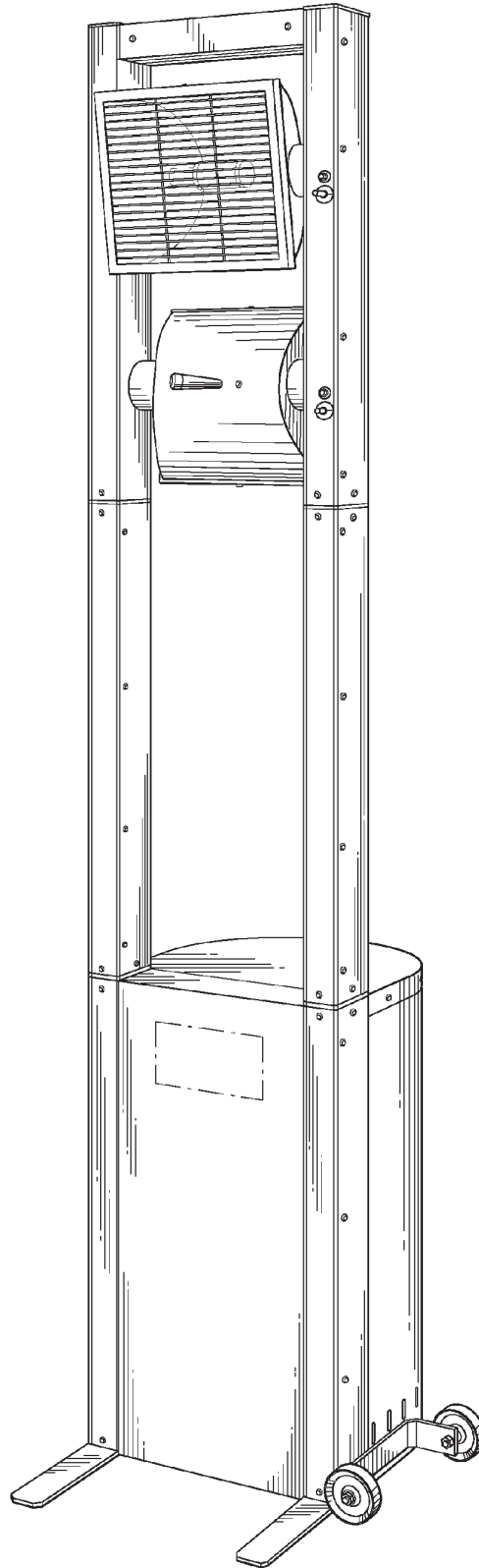


FIG. 7