



US00D595119S

(12) **United States Design Patent**  
**Kelleghan**

(10) **Patent No.:** **US D595,119 S**  
(45) **Date of Patent:** **\*\* Jun. 30, 2009**

(54) **CARABINER**

D468,997 S 1/2003 Chang

(75) Inventor: **Brian James Kelleghan**, Longmont, CO  
(US)

(Continued)

(73) Assignee: **Bison Designs, LLC**, Longmont, CO  
(US)

FOREIGN PATENT DOCUMENTS

EP 345176 A1 \* 12/1989

(\*\*) Term: **14 Years**

(Continued)

(21) Appl. No.: **29/321,706**

OTHER PUBLICATIONS

(22) Filed: **Jul. 22, 2008**

Cyclops Scan of Applicant's website showing prior art carabiner sold by Applicant. Carabiner shown is to current design by Applicant, sheet is dated Apr. 14, 2008: <http://www.bisondesigns.com/mm5/images/13CY.jpg>.

(51) **LOC (9) Cl.** ..... **08-05**

(52) **U.S. Cl.** ..... **D8/356**

(58) **Field of Classification Search** ..... D8/105,  
D8/107, 333, 349, 354, 356, 358, 360, 360.1,  
D8/367, 373, 382, 383, 394-396, 400; D13/153,  
D13/154; 24/18, 115 R, 197, 561, 573.11,  
24/581.12, 582.13, 583.1; 52/220.7; 174/66,  
174/135, 153 G, 650, 656; 242/400.1, 405.1,  
242/405.2, 600, 603; 248/65, 74.1-74.4,  
248/201, 214, 215, 229.26; 439/92-108,  
439/501, 535; 294/26, 82.19, 82.2; D11/200,  
D11/201, 215; 182/5

(Continued)

*Primary Examiner*—T. Chase Nelson

*Assistant Examiner*—Karen Acker

(74) *Attorney, Agent, or Firm*—Margert Polson; Oppedahl  
Patent Law Firm LLC

See application file for complete search history.

(57) **CLAIM**

I claim the ornamental design for the carabiner, as shown and described.

(56) **References Cited**

**U.S. PATENT DOCUMENTS**

751,643 A *	2/1904	Hentgen	70/459
D271,465 S	11/1983	Boissonnet	
D272,392 S *	1/1984	Bigelow	D8/354
D282,904 S	3/1986	Faidide	
5,187,844 A *	2/1993	Simond	24/599.5
5,384,943 A *	1/1995	LeFebvre et al.	24/600.1
D364,552 S	11/1995	Mathiassen	
D391,473 S	3/1998	Striebel	
D407,297 S *	3/1999	Mihailovic	D8/367
5,878,834 A *	3/1999	Brainerd et al.	182/3
D443,370 S	6/2001	Yu	
D455,642 S	4/2002	Kelleghan	
D461,312 S	8/2002	Proot et al.	
D466,791 S	12/2002	Kelleghan	
D467,156 S *	12/2002	Bishop	D8/356

**DESCRIPTION**

FIG. 1 is a top plan view of my new design for a carabiner.

FIG. 2 is a bottom plan view of FIG. 1.

FIG. 3 is a left side elevation view of FIG. 1.

FIG. 4 is a right side elevation view of FIG. 1.

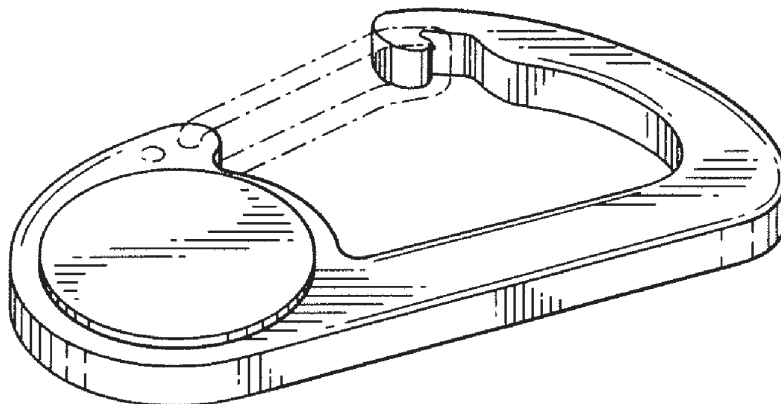
FIG. 5 is a front side elevation view of FIG. 1.

FIG. 6 is rear side elevation view of FIG. 1; and,

FIG. 7 is a top perspective view of FIG. 1.

The broken lines in the drawings represent gates which are included to show the carabiner in a condition of use and form no part of the claimed design.

**1 Claim, 1 Drawing Sheet**



# US D595,119 S

Page 2

## U.S. PATENT DOCUMENTS

D469,023 S 1/2003 Mah  
6,527,434 B1 3/2003 Fox et al.  
D475,591 S \* 6/2003 Luquire ..... D8/34  
D475,605 S 6/2003 Kelleghan  
D478,823 S 8/2003 Kelleghan  
D485,431 S \* 1/2004 Hsu ..... D3/210  
D504,306 S \* 4/2005 Chisolm ..... D8/356  
D530,184 S \* 10/2006 Oas ..... D8/333  
D537,369 S 2/2007 Bao  
D546,159 S 7/2007 Kushner  
D551,788 S 9/2007 Bao  
D553,480 S 10/2007 Kelleghan  
D564,341 S 3/2008 Kelleghan  
7,353,571 B2 4/2008 Goldberg  
D568,127 S 5/2008 Oas

D570,420 S 6/2008 Brookins  
D577,283 S \* 9/2008 Nishida et al. .... D8/367  
2006/0179784 A1 \* 8/2006 Chen ..... 52/698  
2008/0016659 A1 1/2008 Peterson  
2008/0302311 A1 12/2008 Blocker  
2008/0306496 A1 12/2008 Regner

## FOREIGN PATENT DOCUMENTS

JP 2008-232154 10/2008

## OTHER PUBLICATIONS

U.S. Appl. No. 29/302,639 filed Jan. 21, 2008; Inventor: Brian James Kelleghan.

U.S. Appl. No. 29/325,172 filed Sep. 26, 2008; Inventor: Brian James Kelleghan.

\* cited by examiner

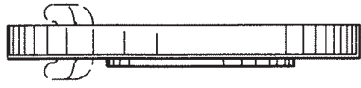


FIG.5



FIG.3

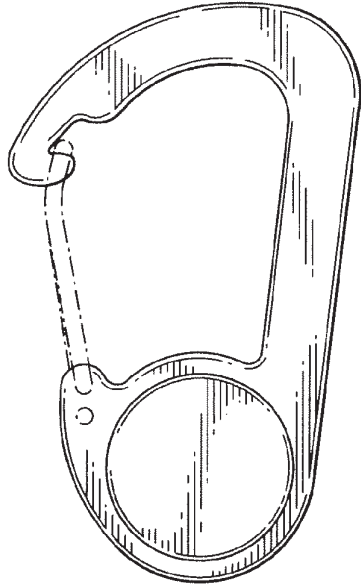


FIG.1



FIG.4

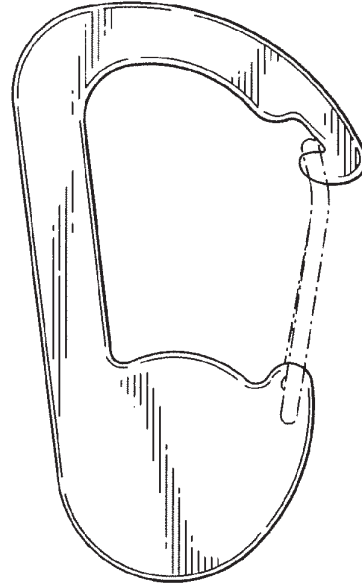


FIG.2



FIG.6

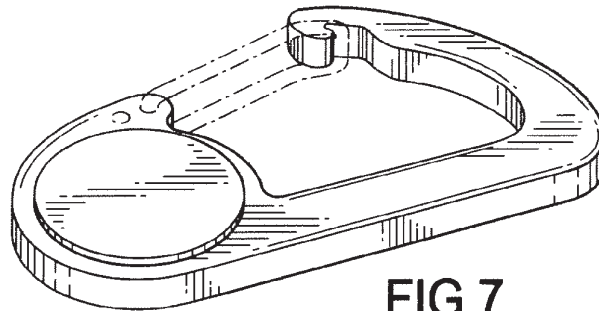


FIG.7