



US00D565366S

(12) **United States Design Patent**
Büscher

(10) **Patent No.:** **US D565,366 S**
(45) **Date of Patent:** **** Apr. 1, 2008**

(54) **AUTO SHOVEL**

D487,680 S * 3/2004 Sickler et al. D8/10
D506,654 S * 6/2005 Costa D8/10
D548,550 S * 8/2007 Yeh D8/10

(75) Inventor: **Markus Büscher**, Weinstadt (DE)

(73) Assignee: **Freund Victoria Gartengerate GmbH**,
Schorndorf (DE)

* cited by examiner

(**) Term: **14 Years**

Primary Examiner—Holly H. Baynham
Assistant Examiner—Sheryl Friedman
(74) *Attorney, Agent, or Firm*—Oppedahl Patent Law Firm
LLC

(21) Appl. No.: **29/275,996**

(22) Filed: **Jan. 11, 2007**

(57) **CLAIM**

(30) **Foreign Application Priority Data**

I claim the ornamental design for an auto shovel, as shown
and described.

Aug. 3, 2006 (EM) 000570510-0001

(51) **LOC (8) Cl.** **08-01**

(52) **U.S. Cl.** **D8/10**

(58) **Field of Classification Search** D8/1,
D8/6, 10, 13; 294/54.5, 49; 56/400.1
See application file for complete search history.

DESCRIPTION

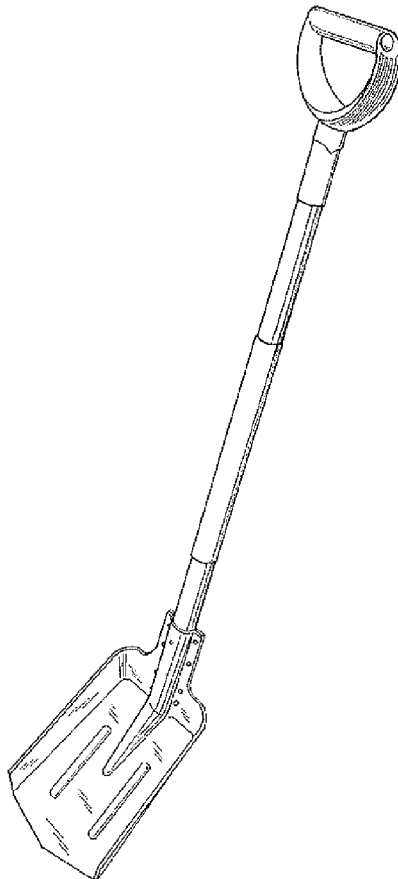
FIG. 1 is a perspective view;
FIG. 2 is a rear view;
FIG. 3 is a left side view;
FIG. 4 is a top view;
FIG. 5 is a front view;
FIG. 6 is a right side view; and,
FIG. 7 is a bottom view.

(56) **References Cited**

U.S. PATENT DOCUMENTS

1,445,185 A * 2/1923 Surbaugh 403/244
D284,733 S * 7/1986 Hozumi D8/10
D412,429 S * 8/1999 Toft D8/10

1 Claim, 3 Drawing Sheets



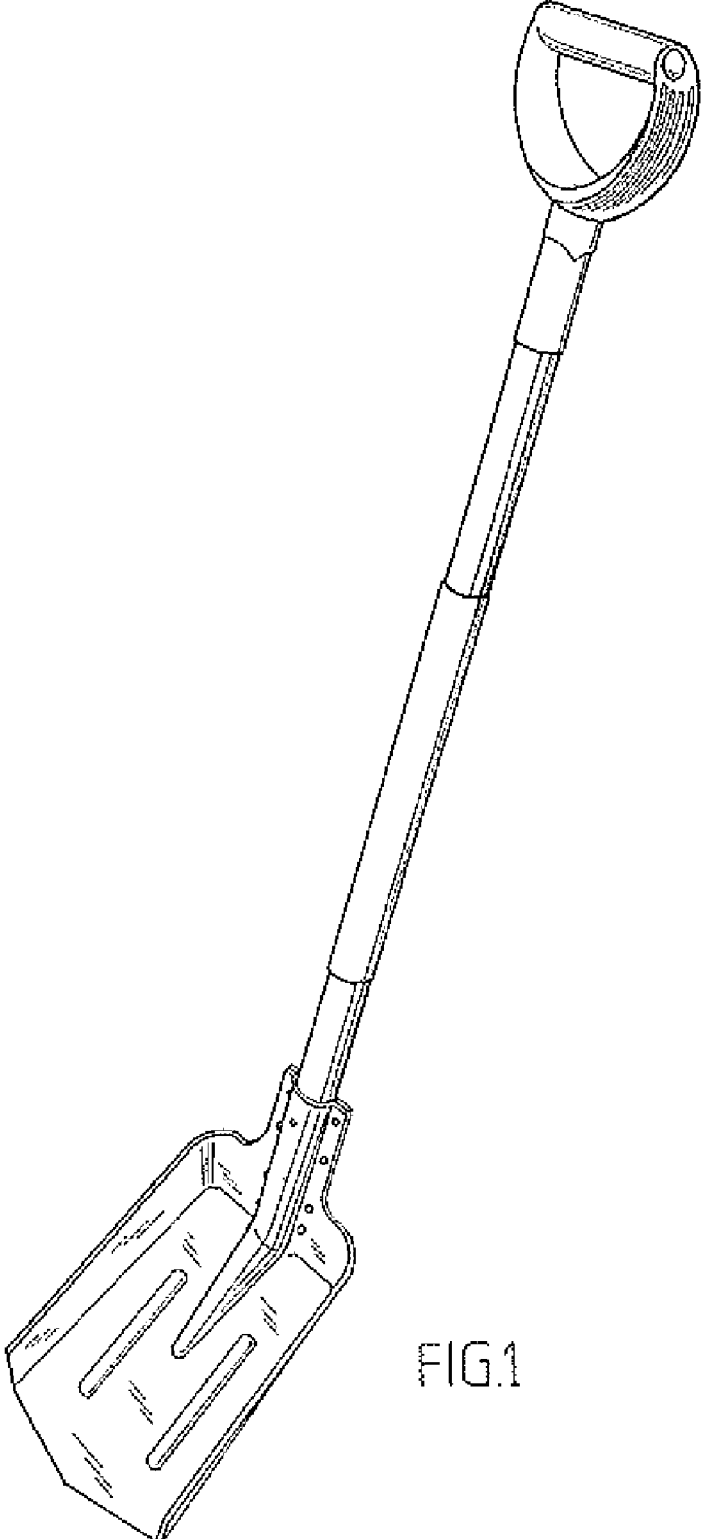


FIG. 1

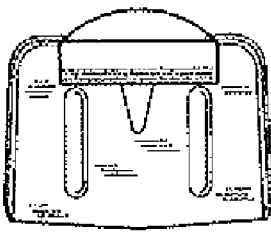
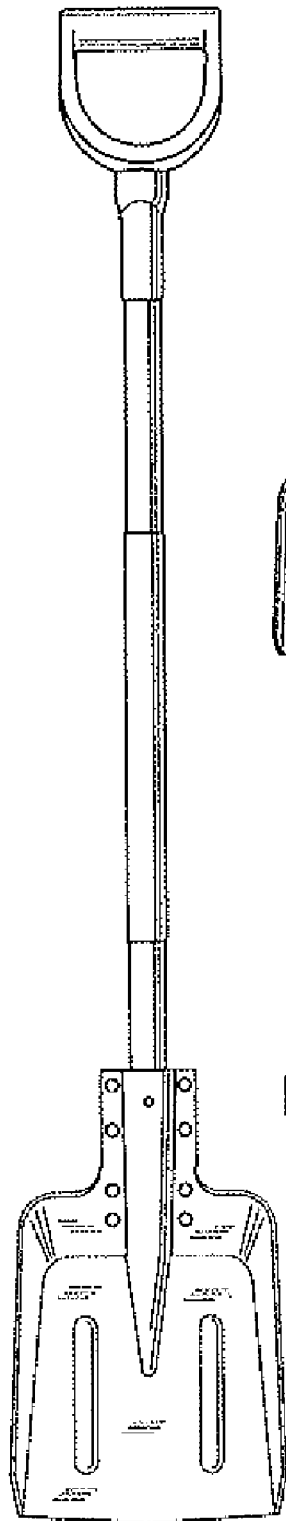


FIG.4

FIG.2

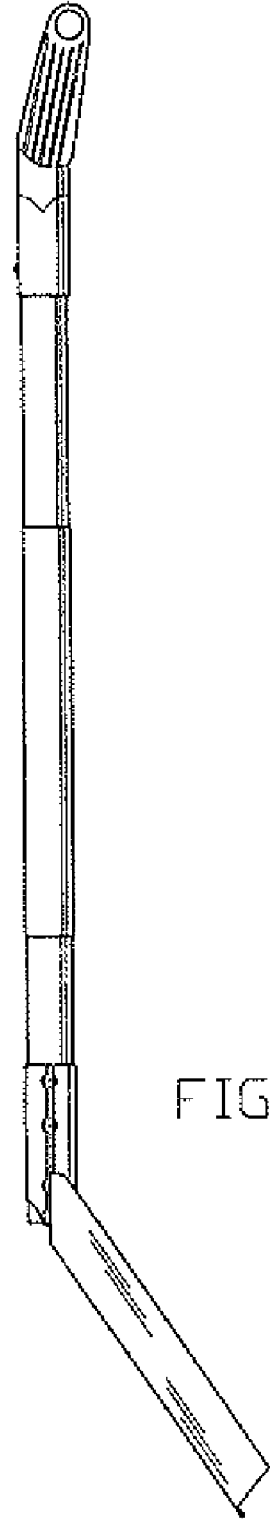


FIG.3

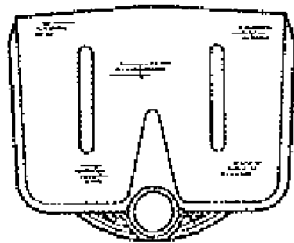
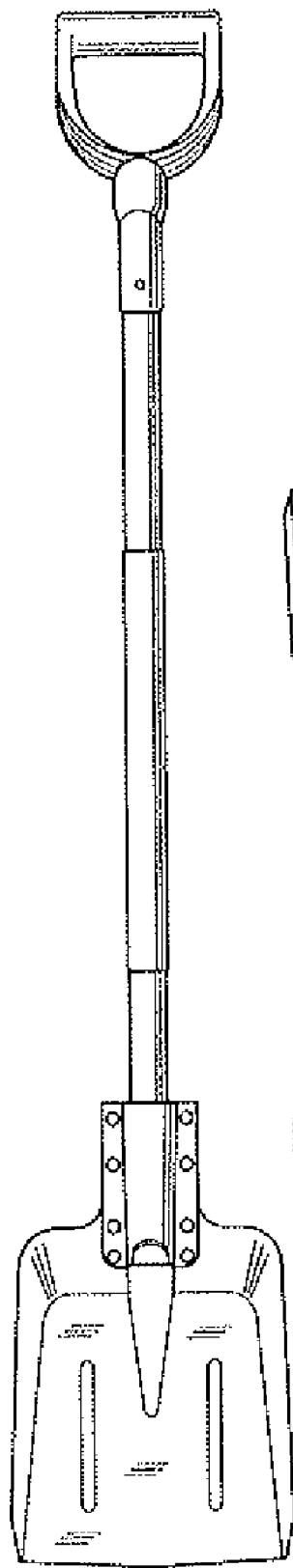


FIG. 7



FIG. 6

FIG. 5