



US00D445790S

(12) **United States Design Patent**
Costello et al.

(10) **Patent No.:** **US D445,790 S**
(45) **Date of Patent:** **** Jul. 31, 2001**

- (54) **DISK DRIVE ENCLOSURE**
- (75) Inventors: **Damien Costello; Ken O'Leary; Philip Bannister**, all of Dublin (IE)
- (73) Assignee: **Richmount Computers Limited**, Dublin (IE)
- (**) Term: **14 Years**
- (21) Appl. No.: **29/132,523**
- (22) Filed: **Nov. 9, 2000**
- (51) **LOC (7) Cl.** **14-02**
- (52) **U.S. Cl.** **D14/363**
- (58) **Field of Search** D14/348, 349,
D14/351-354, 356, 363; D13/162, 184,
199; 312/223.1-223.3; 360/99.12; 361/690-696;
369/34, 36

- D. 363,465 * 10/1995 Daniels et al. D14/352
- D. 366,028 * 1/1996 Martin et al. D14/352
- D. 382,858 * 8/1997 Gray et al. D14/349

* cited by examiner

Primary Examiner—Freda Nunn
(74) *Attorney, Agent, or Firm*—Oppedahl & Larson LLP

(57) **CLAIM**

The ornamental design for a disk drive enclosure, as shown and described.

DESCRIPTION

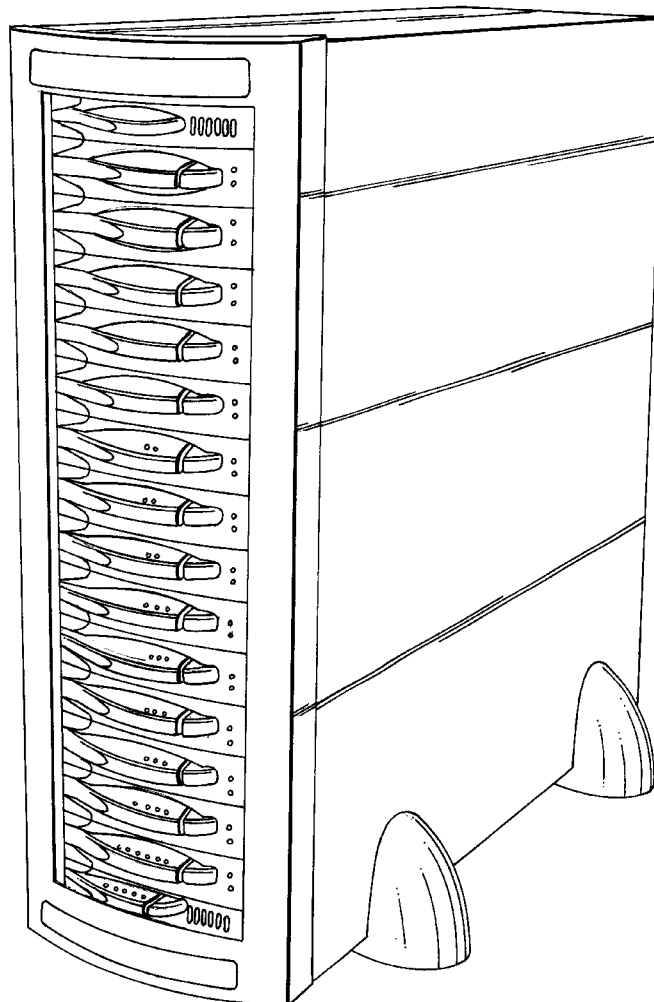
FIG. 1 is a perspective front view of the disk drive enclosure; FIG. 2 is a top view; FIG. 3 is a right side view; FIG. 4 is a left side view; FIG. 5 is a bottom view; and, FIG. 6 is a rear view.

(56) **References Cited**

U.S. PATENT DOCUMENTS

- D. 294,261 * 2/1988 Alfonso D14/351

1 Claim, 4 Drawing Sheets



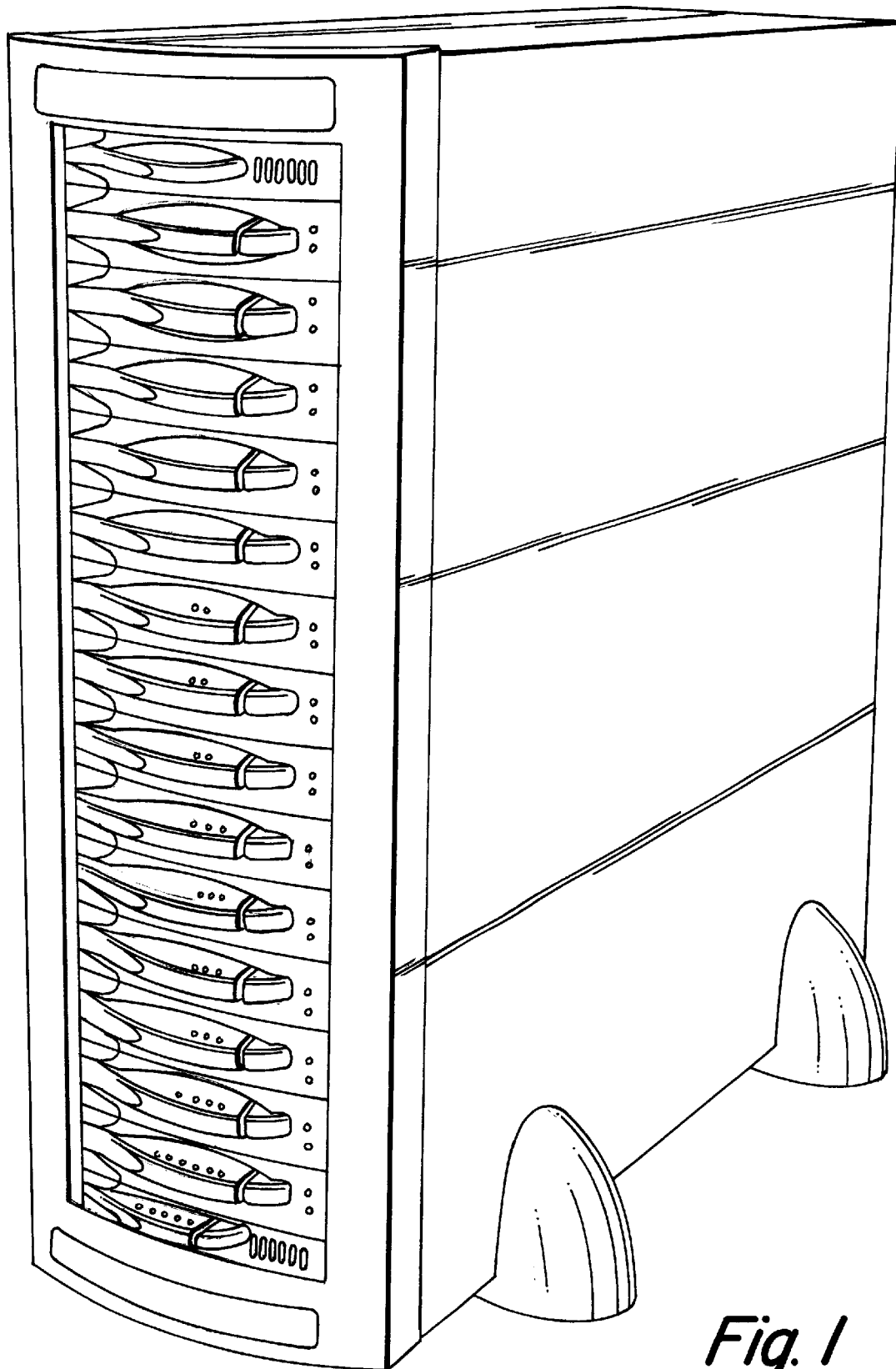


Fig. 1

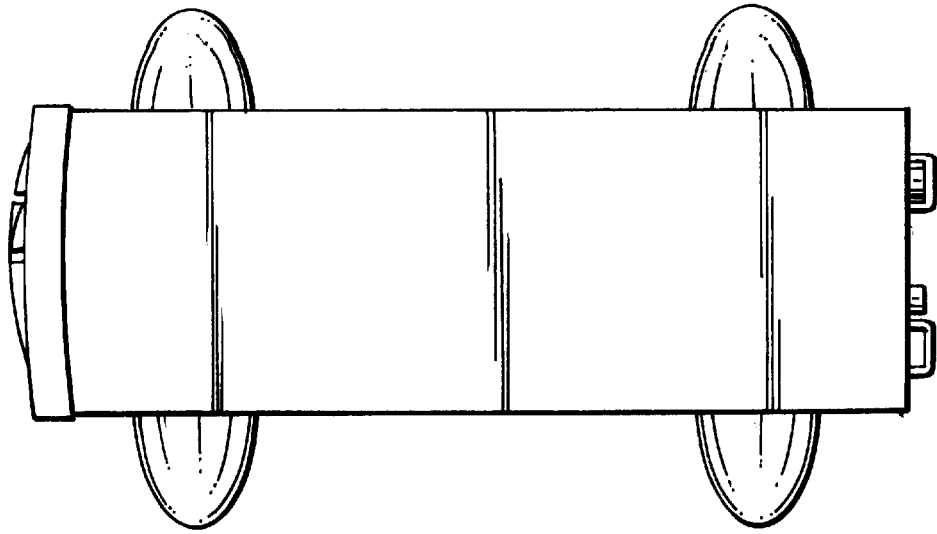


Fig. 2

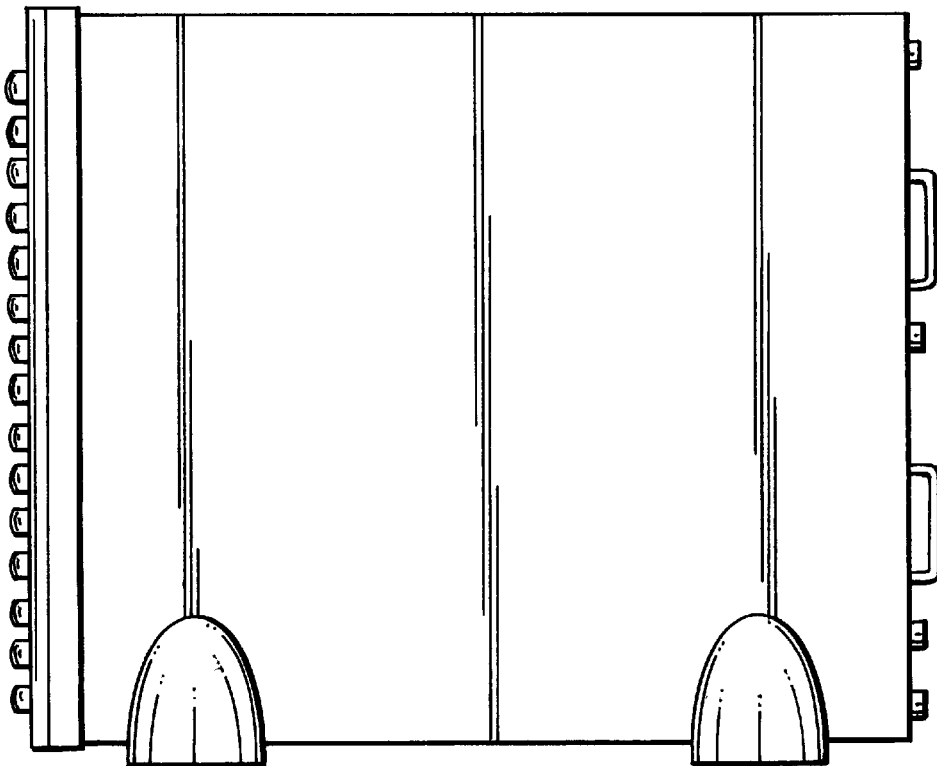


Fig. 3

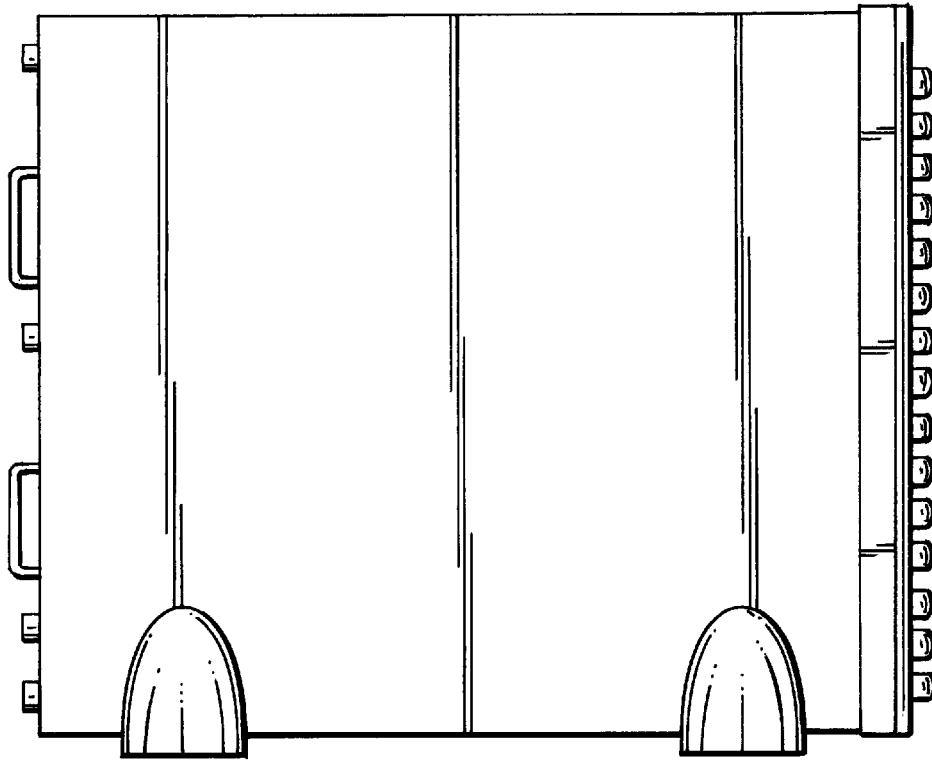


Fig. 4

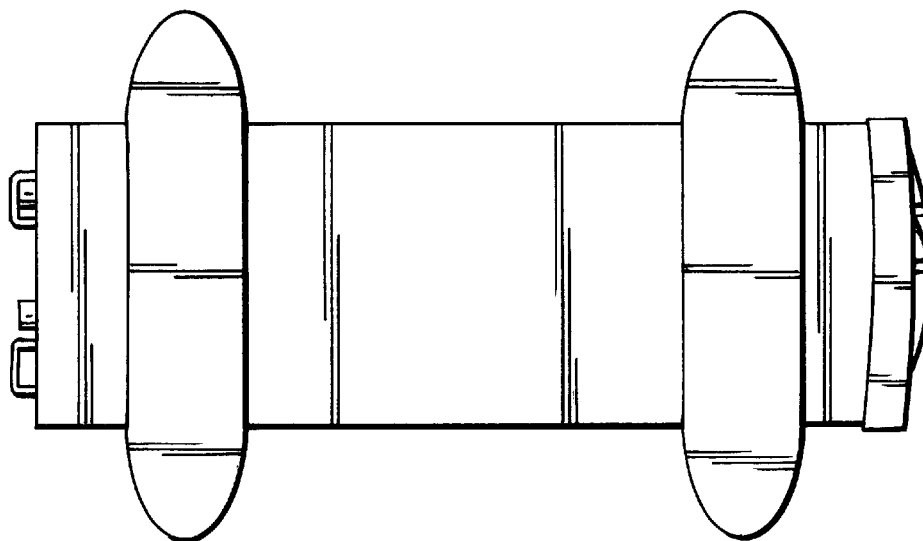


Fig. 5

Fig. 6

