



USOD1038789S

(12) **United States Design Patent**
Ahn et al.

(10) **Patent No.:** **US D1,038,789 S**

(45) **Date of Patent:** **** Aug. 13, 2024**

(54) **SENSOR HOUSING**

(71) Applicant: **Waymo LLC**, Mountain View, CA (US)

(72) Inventors: **YooJung Ahn**, Mountain View, CA (US); **David Gordon Duff**, Portola Valley, CA (US); **Joshua Newby**, San Francisco, CA (US); **Paul Karplus**, Redwood City, CA (US); **Candace Marbury**, San Francisco, CA (US)

(73) Assignee: **Waymo LLC**, Mountain View, CA (US)

(**) Term: **15 Years**

(21) Appl. No.: **29/894,722**

(22) Filed: **Jun. 13, 2023**

Related U.S. Application Data

(62) Division of application No. 29/823,685, filed on Jan. 19, 2022, now Pat. No. Des. 993,051, which is a (Continued)

(51) **LOC (14) Cl.** **10-04**

(52) **U.S. Cl.**

USPC **D10/70; D12/190**

(58) **Field of Classification Search**

USPC **D10/70; D12/187, 188, 190**

CPC **B60R 1/1207; B60R 1/12; B60R 11/04;**

B60R 2011/0049; B60R 2300/105; B60R

2300/106; B60R 2300/802; B60R

2300/8093; B60R 1/002; B60R

2001/1253; B60Q 1/2665; B60Q 1/381;

F21S 43/14; F21S 43/19; F21S 43/237;

F21S 43/243; F21S 43/245; F21S 43/249;

F21S 45/47; F21S 45/48; G01S 7/4813;

G01S 7/027; G01S 7/4817; G01S

7/52006; G01S 13/867; G01S 13/931;

G01S 15/931; G01S 17/08; G01S 17/931;

G01S 2013/93273; G01S 2015/937; G01S

13/862; G01S 13/865; G01S 17/86; G01S 2013/9318; G01S 2013/93185; G01S 2013/9319; G01S 2013/9323; G01S 2013/9324; G01S 2013/93271; G01S 2013/93272; G01S 2013/93275; G01S 17/18; G01S 7/4873; G01S 7/4876; G01S 17/10; H04N 5/2254; H04N 5/2252; H04N 5/2256; H04N 5/33; G02B 3/0037; G05D 1/0055; G05D 1/021; G05D 1/0212; G05D 1/0016; G05D 1/0088; (Continued)

(56) **References Cited**

U.S. PATENT DOCUMENTS

D834,971 S 12/2018 Ahn et al.

D850,303 S 6/2019 Wang et al.

(Continued)

Primary Examiner — Antoine Duval Davis

(74) *Attorney, Agent, or Firm* — Banner & Witcoff, Ltd.

(57) **CLAIM**

The ornamental design for a sensor housing, as shown and described.

DESCRIPTION

FIG. 1 is a front perspective view of the claimed design for a sensor housing;

FIG. 2 is a front view thereof;

FIG. 3 is a rear view thereof;

FIG. 4 is a left side view thereof;

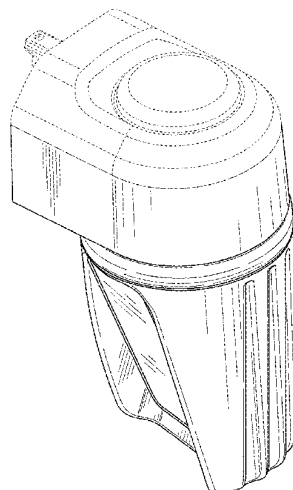
FIG. 5 is a right side view thereof;

FIG. 6 is a top view thereof; and,

FIG. 7 is a bottom view thereof.

The long even-length broken lines define the bounds of the claimed design and form no part thereof. The short even-length broken lines showing the remainder of the sensor housing depict environmental structure and form no part of the claimed design.

1 Claim, 6 Drawing Sheets



Related U.S. Application Data

division of application No. 29/699,959, filed on Jul. 30, 2019, now Pat. No. Des. 944,667.

(58) **Field of Classification Search**

CPC G05D 1/02; G05D 2201/0212; B60K 37/06; B60K 35/00; B60K 28/02; B60K 2370/128; B60K 2370/682; B60K 2370/175; B60K 2370/12; B60K 2370/122; B60K 2370/143; B60W 50/082; B60W 30/06; B60W 2540/215; B62D 15/0285; B60Y 2302/05; G08B 25/016

See application file for complete search history.

(56) **References Cited**

U.S. PATENT DOCUMENTS

D850,946 S	6/2019	Zhevelev et al.	
D874,957 S	2/2020	Ahn et al.	
D944,667 S *	3/2022	Ahn	D10/70
D954,571 S	6/2022	Ahn et al.	
D956,585 S	7/2022	Ahn et al.	
D993,051 S *	7/2023	Ahn	D10/70

* cited by examiner

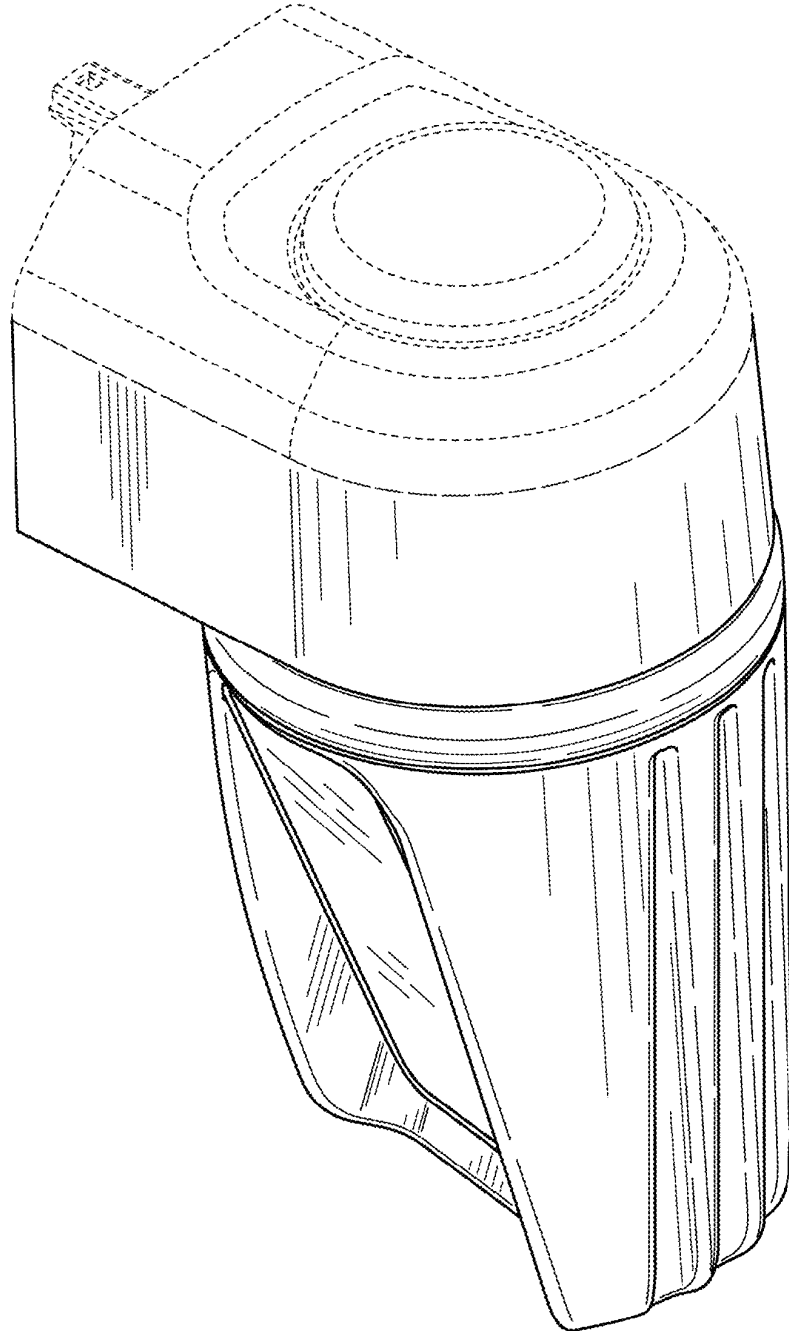


FIG. 1

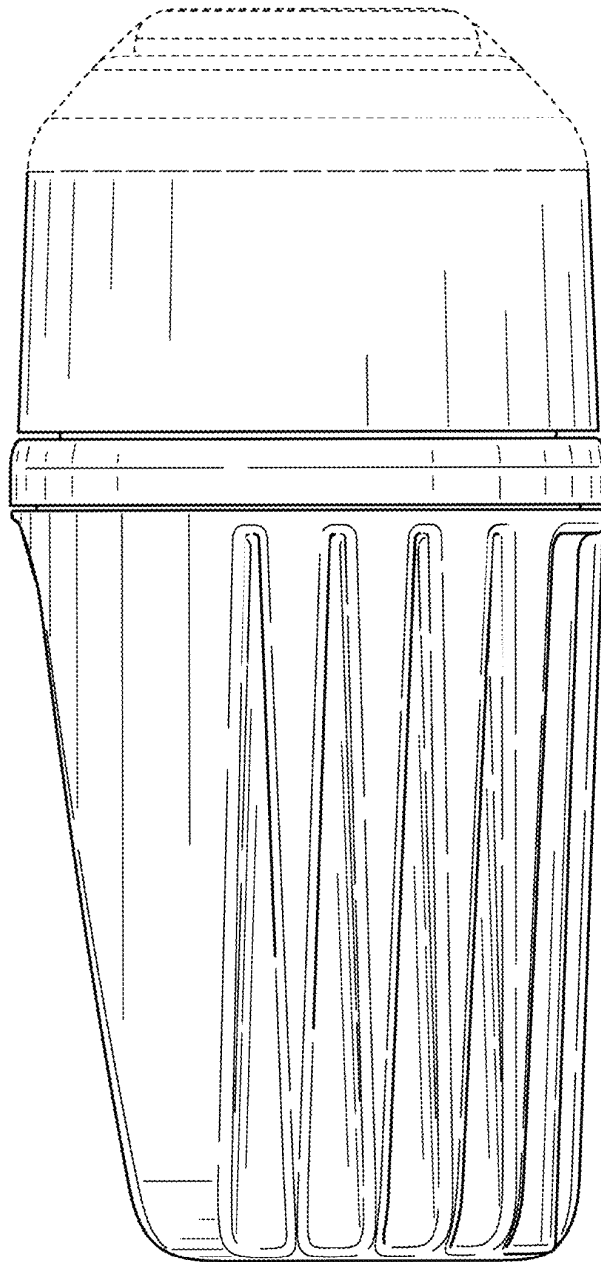


FIG. 2

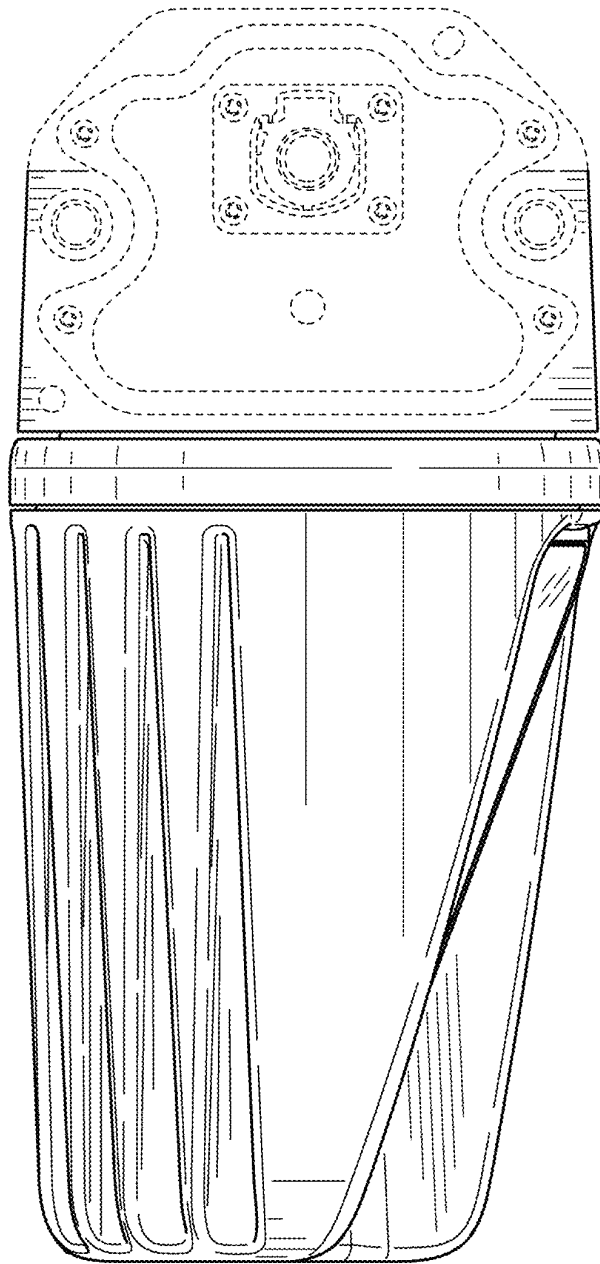


FIG. 3

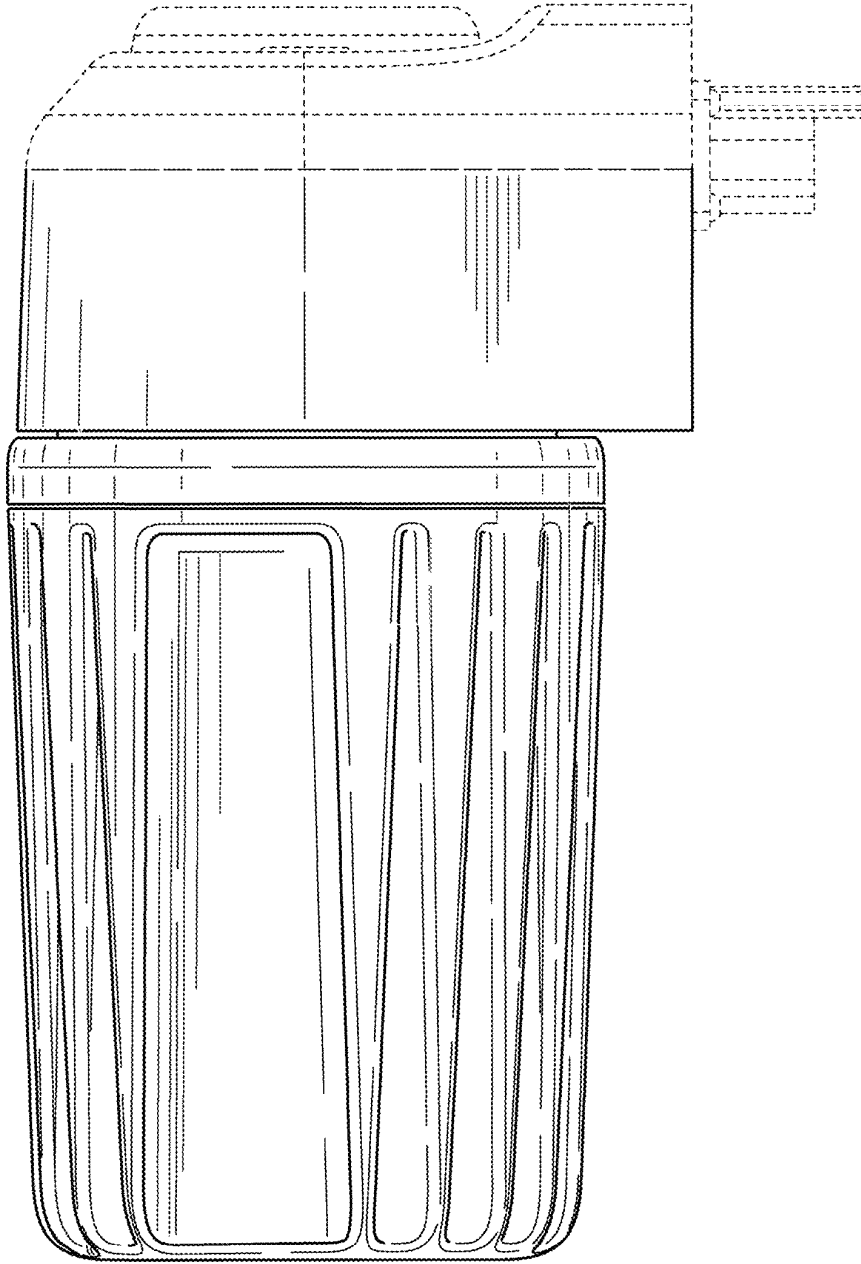


FIG. 4

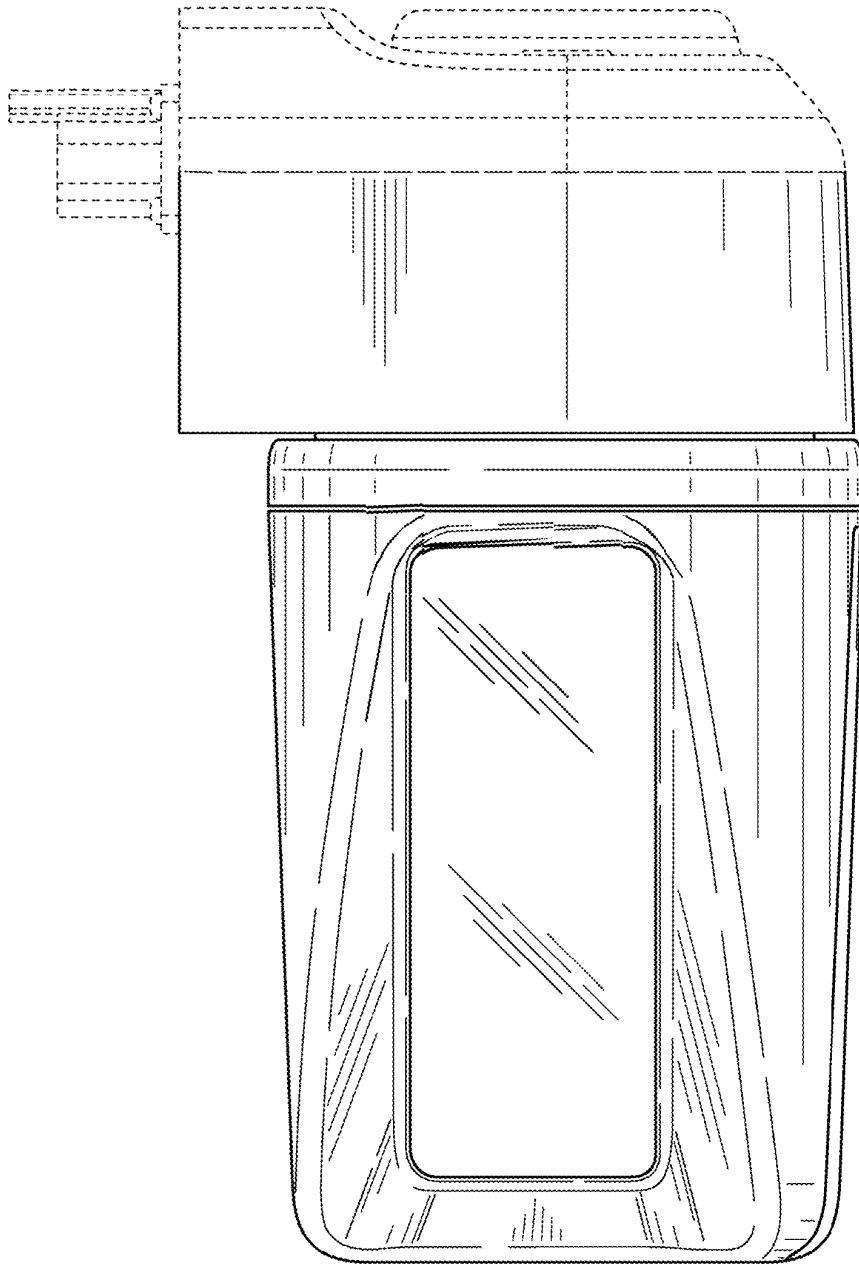


FIG. 5

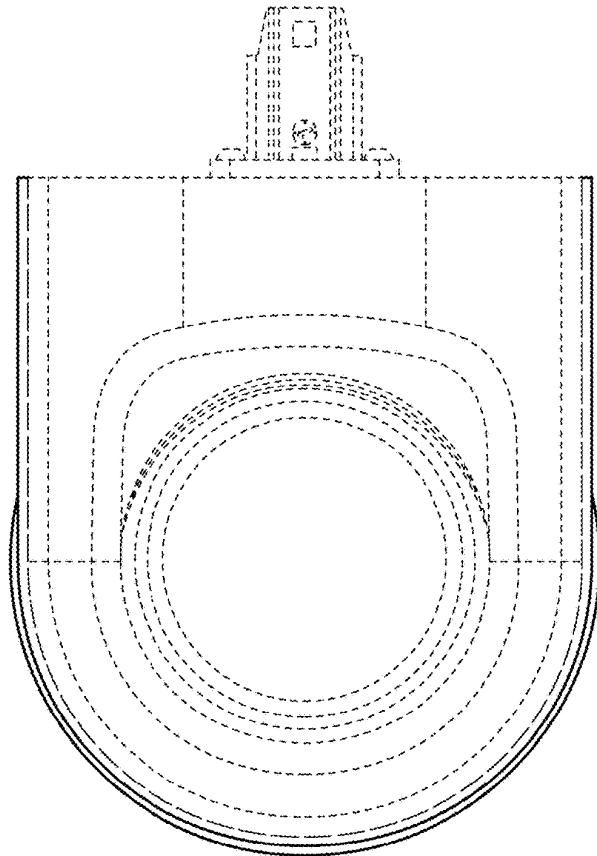


FIG. 6

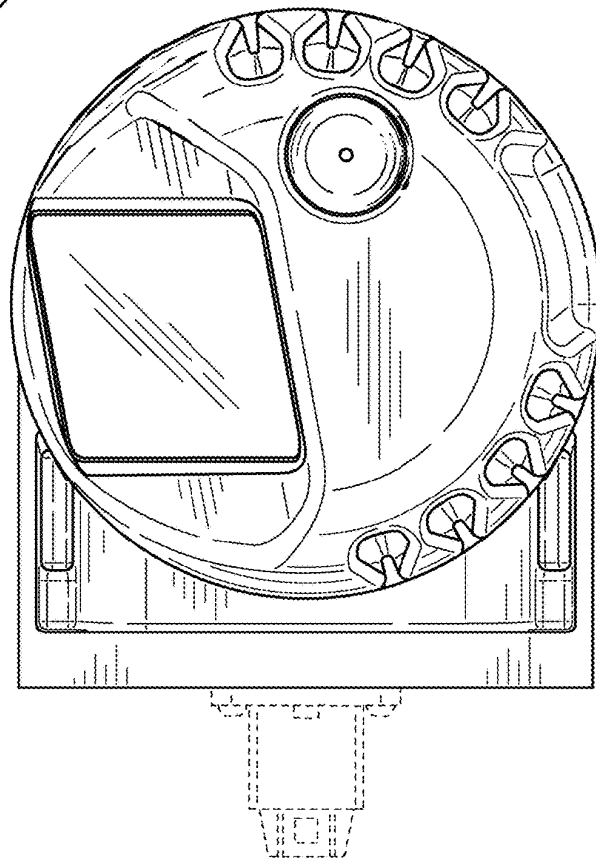


FIG. 7