



US009199178B2

(12) **United States Patent**  
**Knijpstra**

(10) **Patent No.:** **US 9,199,178 B2**

(45) **Date of Patent:** **Dec. 1, 2015**

(54) **ATTRACTION FOR AMUSEMENT RIDES**

(56) **References Cited**

(71) Applicant: **K.I.G. Heerenveen B.V.**,  
Terband-Heerenveen (NL)  
(72) Inventor: **Wytze Knijpstra**, Tijnje (NL)  
(73) Assignee: **K.I.G. Heerenveen B.V.**,  
Terband-Heerenveen (NL)

**U.S. PATENT DOCUMENTS**

4,643,416	A	2/1987	van der Veen	
5,188,566	A *	2/1993	Bohme .....	472/45
5,314,383	A *	5/1994	Fabbri .....	472/45
5,803,816	A	9/1998	Moser et al.	
5,941,777	A *	8/1999	Moser et al. ....	472/44
8,845,439	B2 *	9/2014	Kroon et al. ....	472/47
2004/0192453	A1	9/2004	Esparza	

(\* ) Notice: Subject to any disclaimer, the term of this patent is extended or adjusted under 35 U.S.C. 154(b) by 0 days.

**FOREIGN PATENT DOCUMENTS**

CN	201150794	A1	11/2008
DE	19543697	A1	6/1996
EP	2517765	A1	10/2012
GB	19198		0/1912

(21) Appl. No.: **14/151,380**

(22) Filed: **Jan. 9, 2014**

\* cited by examiner

(65) **Prior Publication Data**

US 2014/0194215 A1 Jul. 10, 2014

*Primary Examiner* — Kien Nguyen

(74) *Attorney, Agent, or Firm* — Oppedahl Patent Law Firm LLC

(30) **Foreign Application Priority Data**

Jan. 10, 2013 (NL) ..... 2010106

(57) **ABSTRACT**

(51) **Int. Cl.**

**A63G 27/04** (2006.01)  
**A63G 1/10** (2006.01)

The present invention relates to an attraction (100) for amusement rides, such as a fairground attraction or an amusement park attraction. The attraction comprises two towers (101), each provided with a drivable arm (102) which is mounted rotatably on the tower. The attraction is provided with a number of gondolas (104), each with a number of seats (105), wherein each gondola is connected to the arms. According to the invention the attraction comprises at least one carrier arm (103) which extends between the arms (102) and each gondola (104) is connected to the carrier arm for rotation about at least one rotation axis (R1, R2) extending substantially transversely of the carrier arm.

(52) **U.S. Cl.**

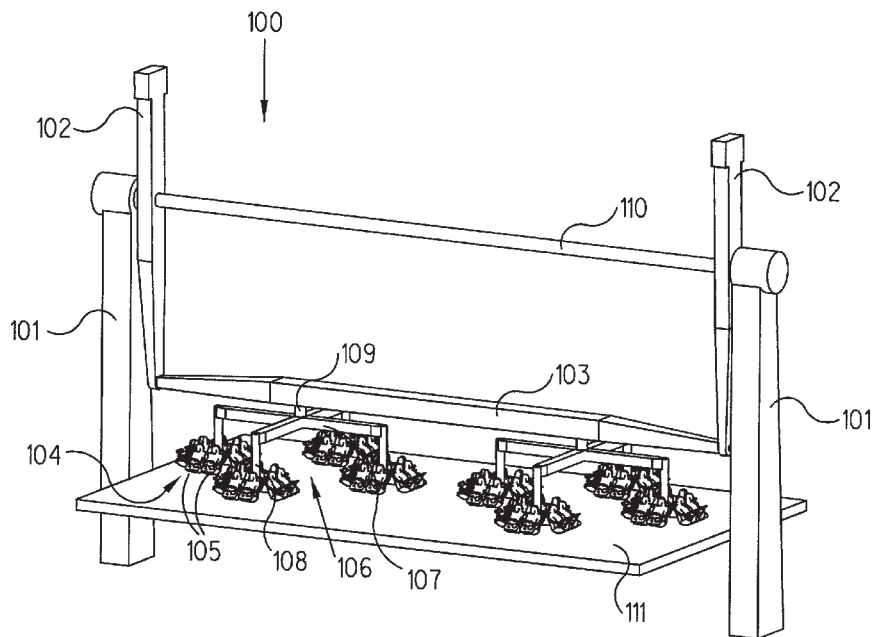
CPC ..... **A63G 27/04** (2013.01)

(58) **Field of Classification Search**

CPC ..... A63G 1/00; A63G 1/10; A63G 1/26;  
A63G 9/00; A63G 9/08

USPC ..... 472/39, 43, 44, 45, 46, 47  
See application file for complete search history.

**9 Claims, 4 Drawing Sheets**



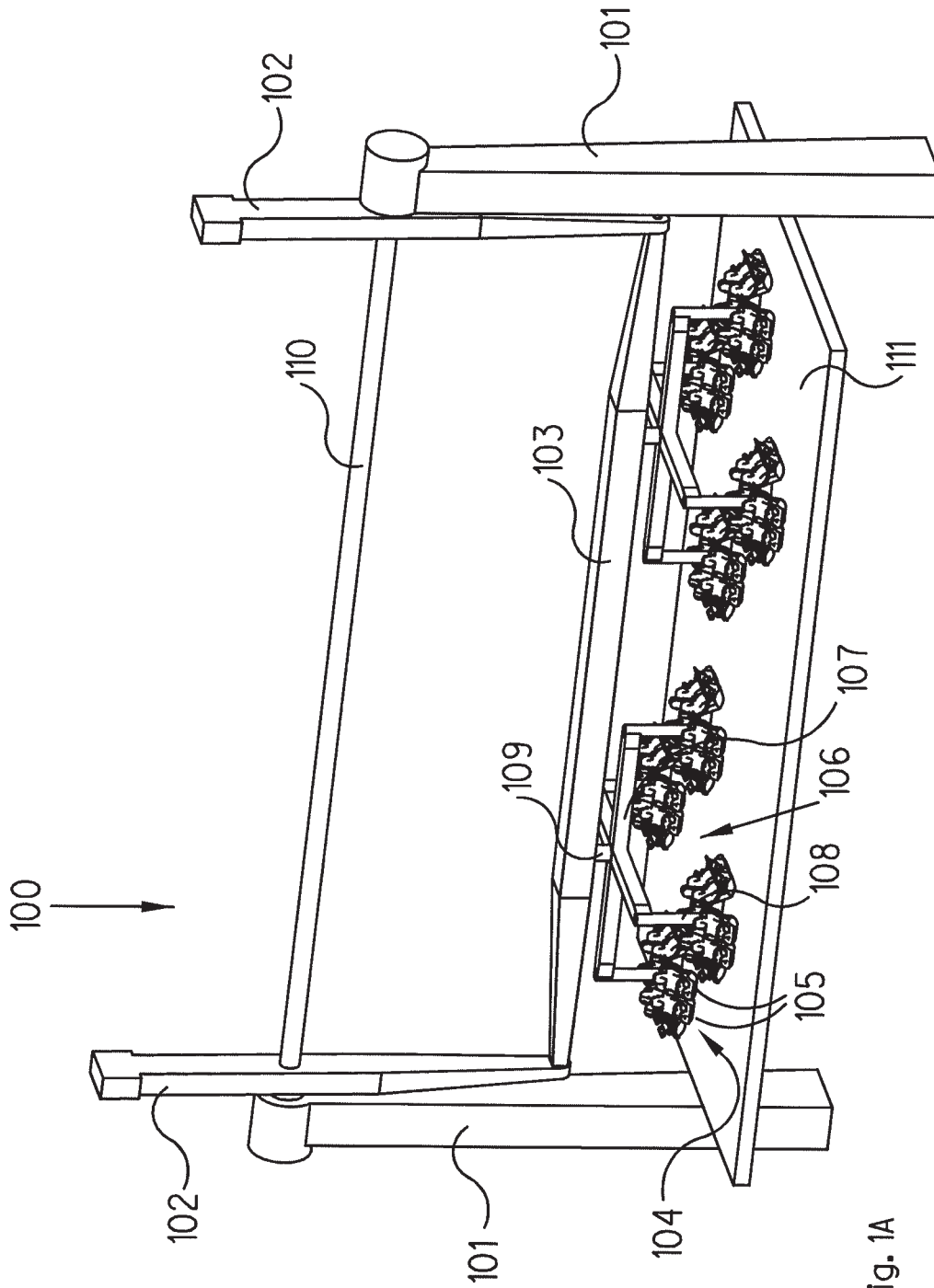


Fig. 1A

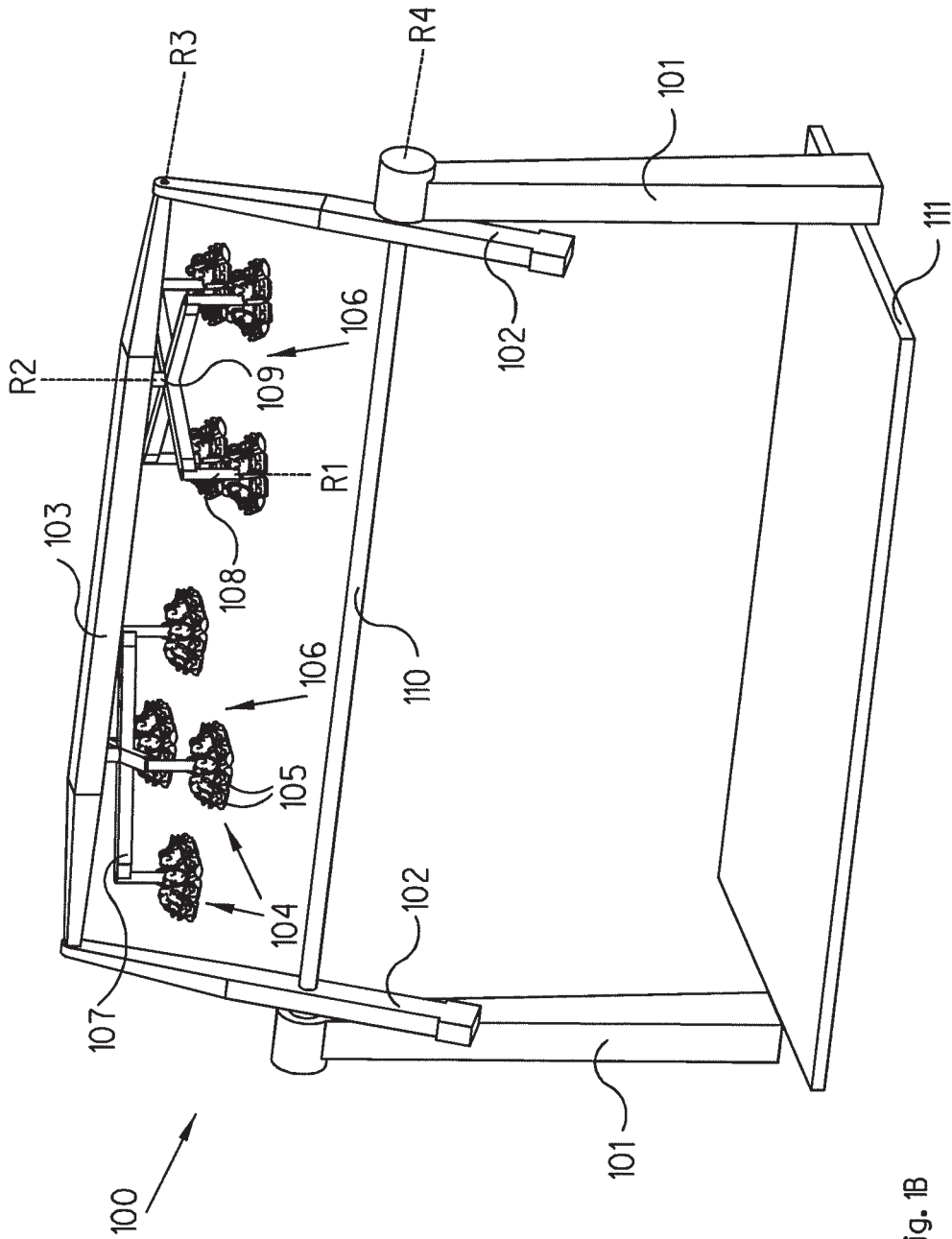
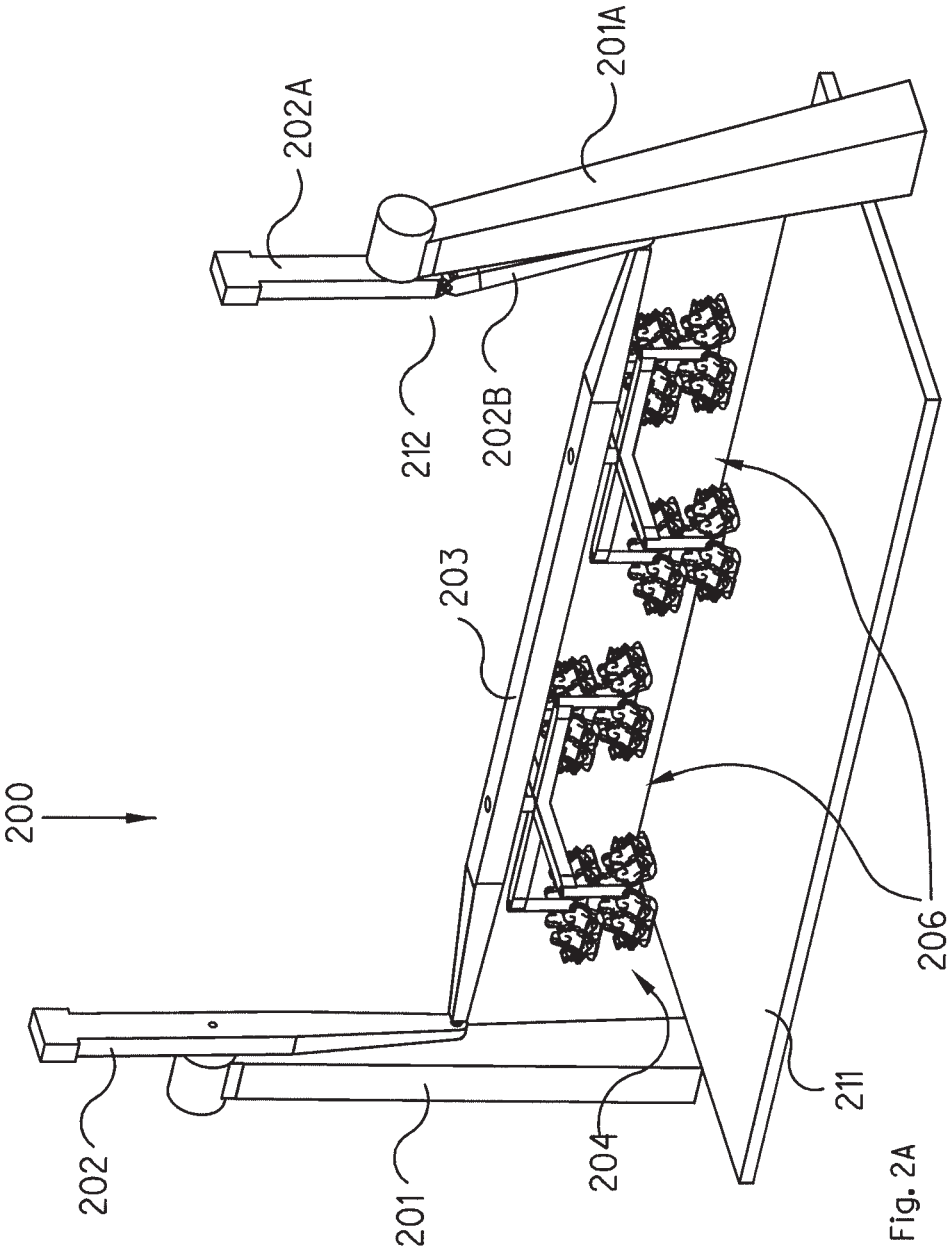


Fig. 1B



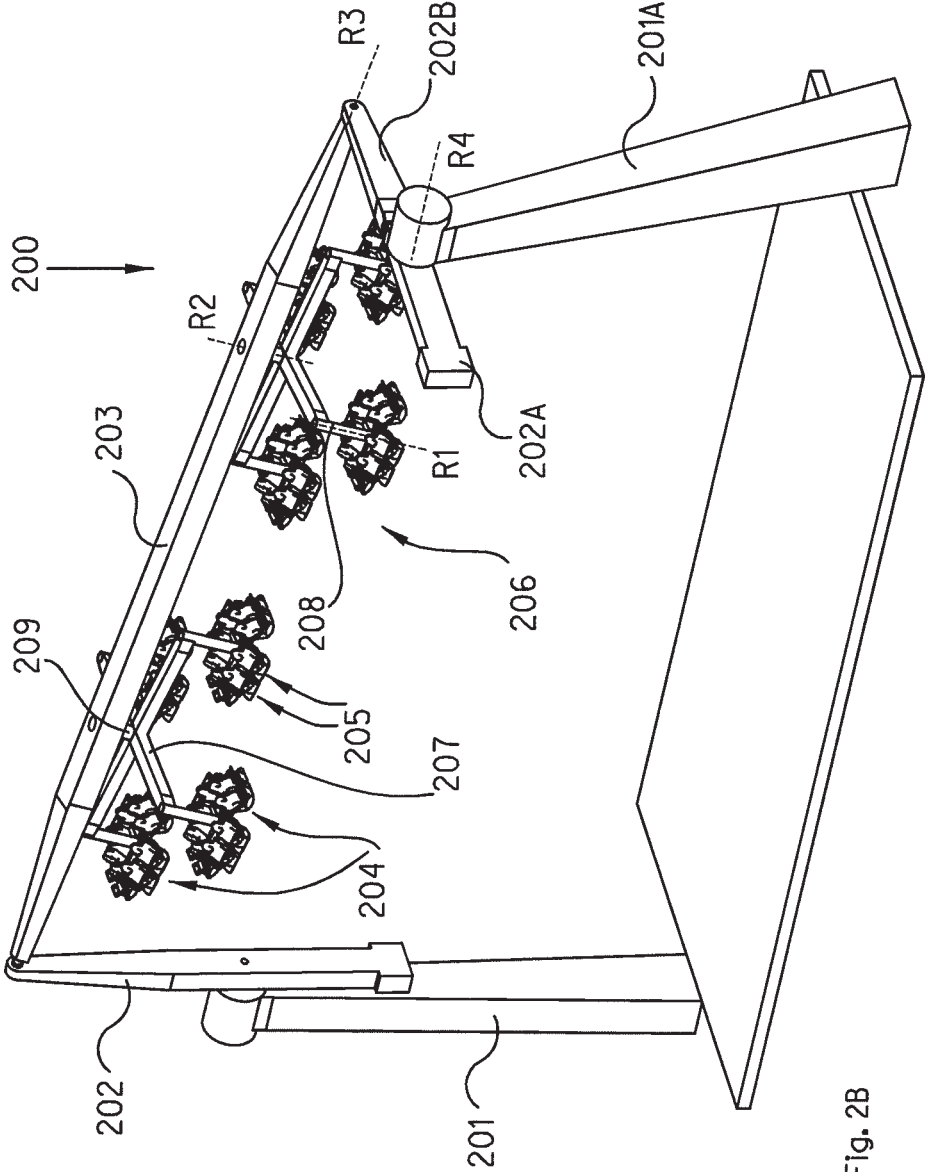


Fig. 2B

1

## ATTRACTION FOR AMUSEMENT RIDES

## TECHNICAL FIELD

The present invention relates to an attraction for amusement rides, such as a fairground attraction or an amusement park attraction, comprising two towers, each provided with a drivable arm which is mounted rotatably on the tower, wherein the attraction is provided with a number of gondolas, each with a number of seats, wherein each gondola is connected to the arms.

## BACKGROUND OF THE INVENTION

Such an attraction is known in the field. The known attraction comprises one gondola with several rows of seats which is mounted rotatably on either side on the arms. In the known attraction the seats can be rotated through 360 degrees about two independent rotation axes.

## DISCLOSURE OF THE INVENTION

The known attraction has the drawback that it is only suitable for older children and adults who comply with the applicable tallness requirements.

The present invention has for its object to provide an attraction of the type stated in the preamble which is spectacular and suitable for all ages.

The attraction according to the invention has for this purpose the feature that the attraction comprises at least one carrier arm which extends between the arms and that each gondola is connected to the carrier arm for rotation about at least one rotation axis extending substantially transversely of the carrier arm.

The attraction according to the invention provides an additional degree of freedom of movement which results in a spectacular combination of rotation movements and provides a passenger with a unique experience.

In a first preferred embodiment each gondola is connected rotatably to the carrier arm by means of two independent rotation shafts extending substantially transversely of the carrier arm. The attraction according to the first preferred embodiment provides a further additional degree of freedom of movement which results in an even more spectacular combination of rotation movements and provides a passenger with an intense experience.

According to a practical preferred embodiment, the gondolas are grouped in gondola crosses, and each gondola cross is connected to the carrier arm for rotation about a rotation axis extending substantially transversely of the carrier arm. According to the further development of this practical preferred embodiment, each gondola is connected to the gondola cross for rotation about a further rotation axis extending substantially transversely of the gondola cross.

In a second preferred embodiment at least one arm consists of two pivotally connected sub-arms and the carrier arm is connected by means of universal joints to the drivable arms. According to a further development of the second preferred embodiment, the tower provided with the pivotally connected sub-arms is disposed inclining in the direction toward the other tower. An inclining position of the carrier arm can hereby be obtained in advantageous manner without making the carrier arm longer. The inclining position of the carrier arm results in a spectacular combination with the rotation movements, and in an even more intense experience.

The rotation shafts providing additional degrees of freedom of movement can take a freely rotatable or drivable form

2

as desired. The more drivable rotation shafts there are, the more intense the experience will be. These options enable the attraction to be made suitable for different target groups.

## BRIEF DESCRIPTION OF THE DRAWINGS

The invention will now be described in more detail with reference to the figures.

FIGS. 1A and 1B show a first preferred embodiment of the attraction according to the invention in two different positions; and

FIGS. 2A and 2B show a second preferred embodiment of an attraction according to the invention in two different positions.

## BEST MODE FOR CARRYING OUT THE INVENTION

FIG. 1A shows attraction **100** in the lowest position. This is also the starting position and end position, and thereby the embarkation and disembarkation position. FIG. 1B shows attraction **100** in operation in a higher position. Attraction **100** comprises two towers **101** placed in the same orientation some distance from each other on a ground surface. Towers **101** are preferably identical. Each tower **101** is provided with an arm **102** mounted rotatably on tower **101** by means of a suitable coupling. Present in tower **101** is a drive for driving the arm **102**. Arms **102** are preferably identical. Arms **102** extend substantially parallel to towers **101** in the rest position. The plane in which arms **102** rotate extends substantially perpendicularly of the plane in which towers **101** extend.

Extending between arms **102** is a carrier arm **103** which is connected rotatably on either side to arms **102**, preferably at the position of the outer ends thereof. One or more gondolas **104** are attached to carrier arm **103**. Each gondola **104** is provided with seats **105**. In the shown preferred embodiment eight gondolas **104** are attached to carrier arm **103**. Eight seats **105** are present in each gondola **104**. The capacity per ride amounts in this preferred embodiment to 64 seats.

Attraction **100** is further provided with a platform **111** for embarkation and disembarkation between rides.

Each gondola **104**, and thereby each seat **105**, is connected rotatably to carrier arm **103** via two independent rotation shafts extending substantially transversely of carrier arm **103**. In the shown preferred embodiment **100** this is achieved by grouping the gondolas **104** in gondola crosses **106** which are each mounted rotatably on the carrier arm by means of a gondola cross shaft **109**. Each gondola cross **106** is formed by two or more gondola cross arms **107** in crosswise arrangement. Extending on the outer end of each gondola cross arm **107** is a gondola arm **108** on which a gondola **104** is rotatably mounted. In the shown preferred embodiment the gondola arms **108** lie substantially perpendicularly of the gondola cross arms **107**. The gondola cross shafts **109** lie substantially perpendicularly of carrier arm **103**.

Drawn in FIG. 1B are the rotation axes around which a passenger in a seat **105** will rotate during a ride. The first rotation axis R1 extends in longitudinal direction through gondola arms **108**. Each gondola **104** is mounted on the associated gondola arm **108** for rotation around the first rotation axis R1. The second rotation axis R2 extends in longitudinal direction through the gondola cross shaft **109** with which each gondola cross **106** is rotatably mounted on carrier arm **103**. The third rotation axis R3 extends in longitudinal direction through carrier arm **103** which is mounted rotatably on the outer ends of arms **102**. The fourth rotation axis R4 extends between towers **101**, or more precisely between the

3

rotation points at which arms **102** are connected to towers **101**. It is noted that in the shown preferred embodiment **100** a connecting shaft **110** is arranged at the position of the rotation axis R4. This connecting shaft ensures a synchronous movement of arms **102** even if one of the drives in towers **101** were to fail.

FIG. **2A** shows a second preferred embodiment of an attraction **200** in the lowest position. FIG. **2B** shows attraction **200** in operation in a higher position. Attraction **200** comprises a large number of components corresponding to the shown and described components of attraction **100**. The same components are provided with the same reference numerals increased by 100.

The most important differences between attraction **200** and attraction **100** are to be found in the connecting arms **202** and towers **201**. One of the two towers **201A** is disposed inclining to some extent in the direction toward the other tower **201**. The inclining tower **201A** is provided with a connecting arm **202** consisting of two parts **202A** and **202B**. Parts **202A** and **202B** are connected pivotally to each other by means of a hinge **212**. The two arms **202** are drivable separately of each other, also in opposite directions. This adds an additional sensation to the amusement rides. This additional sensation is caused by an inclining position of carrier arm **203** which can occur during the amusement rides. This is illustrated in FIG. **2B**.

The attraction according to the invention gives each passenger movement along three or four degrees of freedom of movement as desired. It is the case for both preferred embodiments **100** and **200** that rotation about rotation axis R4 is always driven and that rotation about the other rotation axes R1, R2 and R3 can take a drivable as well as a freely rotatable form as desired. An additional sensation can be added to the attraction by having the gondolas and/or the gondola crosses rotate 360 degrees round rotation axis R3. This is possible by actively driving the rotation of carrier arm **103**, **203** or by arranging a counterweight (not shown) on carrier arm **103**, **203**. If on the contrary the intensity of the experience has to be reduced, one of the rotation axes R1 or R2 can be dispensed with.

It is noted that suitable drives, universal joints, flexible couplings and hinges are per se known in the relevant field.

It will be apparent that the capacity of the attraction according to the invention can be modified to the circumstances. This is possible by modifying the number of seats per gondola, the number of gondolas per gondola cross and the number of gondola crosses per carrier arm, or even the number of carrier arms. In addition, it is also possible to dispense with

4

the use of gondola crosses and to mount the gondolas directly for rotation on the carrier arms, or even to dispense with gondolas and to mount the seats directly for rotation on the carrier arms. All these variants lie within the reach of a skilled person following reading of this text.

The invention is not therefore limited to the described and shown preferred embodiments, but extends to any embodiment falling within the scope of protection as defined in the claims and as seen in the light of the foregoing description and accompanying drawings.

The invention claimed is:

1. Attraction for amusement rides, comprising two towers, each provided with a drivable arm which is mounted rotatably on the tower, wherein the attraction is provided with a number of gondolas, each with a number of seats, wherein each gondola is connected to the arms, characterized in that the attraction comprises at least one carrier arm which extends between the arms and is connected rotatably on either side to the arms, at the position of the outer ends thereof, and that each gondola is connected to the carrier arm for rotation about at least one rotation axis extending substantially transversely of the carrier arm.

2. Attraction as claimed in claim 1, wherein each gondola is connected rotatably to the carrier arm by means of two independent rotation shafts extending substantially transversely of the carrier arm.

3. Attraction as claimed in claim 2, wherein the gondolas are grouped in gondola crosses, and wherein each gondola cross is connected to the carrier arm for rotation about a rotation axis extending substantially transversely of the carrier arm.

4. Attraction as claimed in claim 3, wherein each gondola is connected to the gondola cross for rotation about a further rotation axis extending substantially transversely of the gondola cross.

5. Attraction as claimed in claim 2, wherein one or more of the rotation shafts is freely rotatable.

6. Attraction as claimed in claim 2, wherein one or more of the rotation shafts is drivable.

7. Attraction as claimed in claim 1, wherein at least one arm consists of two pivotally connected sub-arms and the carrier arm is connected by means of universal joints to the arms.

8. Attraction as claimed in claim 7, wherein the tower provided with the pivotally connected sub-arms is disposed inclining in the direction toward the other tower.

9. Attraction as claimed in claim 1, wherein the attraction is a fairground attraction or an amusement park attraction.

\* \* \* \* \*