



US008332020B2

(12) **United States Patent**
Zdeblick

(10) **Patent No.:** **US 8,332,020 B2**
(45) **Date of Patent:** **Dec. 11, 2012**

(54) **TWO-WRIST DATA GATHERING SYSTEM**

(75) Inventor: **Mark Zdeblick**, Portola Valley, CA (US)

(73) Assignee: **Proteus Digital Health, Inc.**, Redwood City, CA (US)

(*) Notice: Subject to any disclaimer, the term of this patent is extended or adjusted under 35 U.S.C. 154(b) by 0 days.

(21) Appl. No.: **13/260,081**

(22) PCT Filed: **Jan. 28, 2011**

(86) PCT No.: **PCT/US2011/023017**

§ 371 (c)(1),
(2), (4) Date: **Sep. 23, 2011**

(87) PCT Pub. No.: **WO2011/094608**

PCT Pub. Date: **Aug. 4, 2011**

(65) **Prior Publication Data**

US 2012/0022341 A1 Jan. 26, 2012

Related U.S. Application Data

(60) Provisional application No. 61/300,435, filed on Feb. 1, 2010, provisional application No. 61/378,878, filed on Aug. 31, 2010.

(51) **Int. Cl.**
A61B 5/04 (2006.01)

(52) **U.S. Cl.** **600/509; 600/300**

(58) **Field of Classification Search** None
See application file for complete search history.

(56) **References Cited**

U.S. PATENT DOCUMENTS

3,812,854 A 5/1974 Michaels et al.
3,880,146 A 4/1975 Everett et al.

4,403,989 A 9/1983 Christensen et al.
4,475,905 A 10/1984 Himmelstrup
4,487,602 A 12/1984 Christensen et al.
4,529,401 A 7/1985 Leslie et al.
4,551,133 A 11/1985 Zegers de Beyl et al.
4,621,644 A 11/1986 Ellers
4,669,479 A 6/1987 Dunseath, Jr.
4,705,503 A 11/1987 Dorman et al.
4,850,967 A 7/1989 Cosmai
4,911,916 A 3/1990 Cleary
4,922,901 A 5/1990 Brooks et al.
5,006,342 A 4/1991 Cleary et al.
5,125,888 A 6/1992 Howard et al.
5,135,479 A 8/1992 Sibalís et al.

(Continued)

FOREIGN PATENT DOCUMENTS

JP 6296633 10/1994

(Continued)

OTHER PUBLICATIONS

AADE, "AADE 37th Annual Meeting San Antonio Aug. 4-7, 2010" American Association of Diabetes Educators (2010); <http://www.diabeteseducator.org/annualmeeting/2010/index.html>; 2 pp.

(Continued)

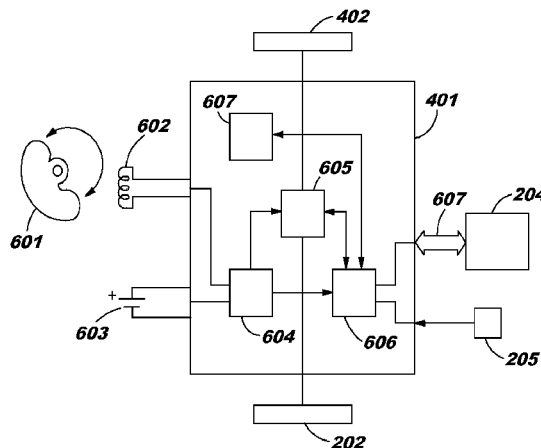
Primary Examiner — Kennedy Schaetzle

(74) *Attorney, Agent, or Firm* — Oppedahl Patent Law Firm LLC

(57) **ABSTRACT**

Sensing is carried out from locations at considerable remove from the stomach. Cooperating sensor electronics are placed at each of two wrists of the patient. The potential discomfort and inconvenience of an abdominal patch are reduced or eliminated. And alternative power sources become available.

24 Claims, 3 Drawing Sheets



U.S. PATENT DOCUMENTS					
5,156,911 A	10/1992	Stewart	5,928,201 A	7/1999	Poulsen et al.
5,167,649 A	12/1992	Zook	5,960,792 A	10/1999	Lloyd et al.
5,190,522 A	3/1993	Wojcicki et al.	5,967,986 A	10/1999	Cimochowski et al.
5,205,292 A	4/1993	Czar et al.	5,967,989 A	10/1999	Cimochowski et al.
5,213,568 A	5/1993	Lattin et al.	5,991,655 A	11/1999	Gross et al.
5,246,418 A	9/1993	Haynes et al.	5,997,501 A	12/1999	Gross et al.
5,284,133 A	2/1994	Burns et al.	6,006,747 A	12/1999	Eisele et al.
5,300,299 A	4/1994	Sweet et al.	6,012,454 A	1/2000	Hodson et al.
5,317,506 A	5/1994	Coutre et al.	6,018,680 A	1/2000	Flower
5,331,953 A	7/1994	Andersson et al.	6,024,976 A	2/2000	Miranda et al.
5,351,695 A	10/1994	Mills et al.	6,029,083 A	2/2000	Flower et al.
5,363,842 A	11/1994	Mishelevich et al.	6,053,873 A	4/2000	Govari et al.
5,364,838 A	11/1994	Rubsamen	6,053,888 A	4/2000	Kong
5,394,866 A	3/1995	Ritson et al.	6,055,980 A	5/2000	Mecikalski et al.
5,404,871 A	4/1995	Goodman et al.	RE36,754 E	6/2000	Noel
5,415,866 A	5/1995	Zook	6,076,519 A	6/2000	Johnson
5,479,920 A	1/1996	Piper et al.	6,085,740 A	7/2000	Ivri et al.
5,487,378 A	1/1996	Robertson et al.	6,085,742 A	7/2000	Wachter
5,505,195 A	4/1996	Wolf	6,095,141 A	8/2000	Armer et al.
5,505,958 A	4/1996	Bello et al.	6,105,571 A	8/2000	Coffee
5,507,277 A	4/1996	Rubsamen et al.	6,109,260 A	8/2000	Bathe
5,509,404 A	4/1996	Lloyd et al.	6,116,233 A	9/2000	Denyer et al.
5,522,378 A	6/1996	Ritson et al.	6,119,684 A	9/2000	Nohl et al.
5,527,288 A	6/1996	Gross et al.	6,125,844 A	10/2000	Samiotos
5,536,503 A	7/1996	Kitchell et al.	6,142,146 A	11/2000	Abrams et al.
5,540,669 A	7/1996	Sage et al.	6,148,815 A	11/2000	Wolf
5,542,410 A	8/1996	Goodman et al.	6,152,130 A	11/2000	Abrams et al.
5,556,421 A	9/1996	Prutchi et al.	6,196,218 B1	3/2001	Voges
5,570,682 A	11/1996	Johnson	6,196,219 B1	3/2001	Hess et al.
5,586,550 A	12/1996	Ivri et al.	6,198,966 B1	3/2001	Heruth
5,587,237 A	12/1996	Korpman	6,202,642 B1	3/2001	McKinnon et al.
5,593,390 A	1/1997	Castellano et al.	6,221,383 B1	4/2001	Miranda et al.
RE35,474 E	3/1997	Woodard et al.	6,231,560 B1	5/2001	Bui et al.
5,608,647 A	3/1997	Rubsamen et al.	6,237,398 B1	5/2001	Porat et al.
5,616,124 A	4/1997	Hague et al.	6,237,589 B1	5/2001	Denyer et al.
5,622,162 A	4/1997	Johansson et al.	6,237,594 B1	5/2001	Davenport
5,622,180 A	4/1997	Tammi et al.	6,245,026 B1	6/2001	Campbell et al.
5,634,899 A	6/1997	Shapland et al.	6,251,079 B1	6/2001	Gambale et al.
5,645,855 A	7/1997	Lorenz	6,254,573 B1	7/2001	Haim et al.
5,655,516 A	8/1997	Goodman et al.	6,256,533 B1	7/2001	Yuzhakov et al.
5,655,523 A	8/1997	Hodson et al.	6,260,549 B1	7/2001	Sosiak
5,656,286 A	8/1997	Miranda et al.	6,269,340 B1	7/2001	Ford et al.
5,666,945 A	9/1997	Davenport	6,272,370 B1	8/2001	Gillies et al.
5,676,129 A	10/1997	Rocci, Jr. et al.	6,283,951 B1	9/2001	Flaherty et al.
5,686,099 A	11/1997	Sablotsky et al.	6,283,953 B1	9/2001	Ayer et al.
5,688,232 A	11/1997	Flower	6,309,370 B1	10/2001	Haim et al.
5,694,919 A	12/1997	Rubsamen et al.	6,315,719 B1	11/2001	Rose et al.
5,694,920 A	12/1997	Abrams et al.	6,316,022 B1	11/2001	Mantelle
5,697,899 A	12/1997	Hillman et al.	6,318,361 B1	11/2001	Sosiak
5,709,202 A	1/1998	Lloyd et al.	6,327,486 B1	12/2001	Nissila et al.
5,713,349 A	2/1998	Keaney	6,340,357 B1	1/2002	Poulsen et al.
5,724,986 A	3/1998	Jones, Jr. et al.	6,352,715 B1	3/2002	Hwang et al.
5,740,793 A	4/1998	Hodson et al.	6,377,848 B1	4/2002	Garde et al.
5,746,711 A	5/1998	Sibalis et al.	6,378,520 B1	4/2002	Davenport
5,781,442 A	7/1998	Engleson et al.	6,385,488 B1	5/2002	Flower et al.
5,794,612 A	8/1998	Wachter et al.	6,390,088 B1	5/2002	Nohl et al.
5,807,375 A	9/1998	Gross et al.	6,394,997 B1	5/2002	Lemelson
5,809,997 A	9/1998	Wolf	6,397,838 B1	6/2002	Zimlich et al.
5,810,888 A	9/1998	Fenn	6,406,426 B1	6/2002	Reuss et al.
5,813,397 A	9/1998	Goodman et al.	6,413,238 B1	7/2002	Maget
5,823,179 A	10/1998	Grychowski et al.	6,422,236 B1	7/2002	Nilsson
5,826,570 A	10/1998	Goodman et al.	6,425,392 B1	7/2002	Sosiak
5,830,175 A	11/1998	Flower	6,427,684 B2	8/2002	Ritsche et al.
5,839,430 A	11/1998	Cama	6,431,171 B1	8/2002	Burton
5,843,014 A	12/1998	Lattin et al.	6,435,175 B1	8/2002	Stenzler
5,848,991 A	12/1998	Gross et al.	6,443,146 B1	9/2002	Voges
5,851,197 A	12/1998	Marano et al.	6,448,303 B1	9/2002	Paul
5,857,994 A	1/1999	Flower	6,453,195 B1	9/2002	Thompson
5,860,957 A	1/1999	Jacobsen et al.	6,468,242 B1	10/2002	Wilson et al.
5,865,786 A	2/1999	Sibalis et al.	6,484,721 B1	11/2002	Bliss
5,865,787 A	2/1999	Shapland et al.	6,485,461 B1	11/2002	Mason et al.
5,873,835 A	2/1999	Hastings et al.	6,516,796 B1	2/2003	Cox et al.
5,894,841 A	4/1999	Voges	6,517,481 B2	2/2003	Hoek et al.
5,906,567 A	5/1999	McPhee et al.	6,517,527 B2	2/2003	Gambale et al.
5,906,579 A	5/1999	Vander et al.	6,520,928 B1	2/2003	Junior et al.
5,921,237 A	7/1999	Eisele et al.	6,527,759 B1	3/2003	Tachibana et al.
5,924,997 A	7/1999	Campbell	6,533,733 B1	3/2003	Ericson et al.
5,925,021 A	7/1999	Castellano et al.	6,536,423 B2	3/2003	Conway
			6,540,154 B1	4/2003	Ivri et al.

US 8,332,020 B2

6,564,093	B1	5/2003	Ostrow et al.	7,320,675	B2	1/2008	Pastore et al.
6,568,390	B2	5/2003	Nichols et al.	7,322,352	B2	1/2008	Minshull et al.
6,575,932	B1	6/2003	O'Brien et al.	7,322,355	B2	1/2008	Jones et al.
6,578,741	B2	6/2003	Ritsche et al.	7,331,340	B2	2/2008	Barney
6,582,393	B2	6/2003	Sage	7,342,660	B2	3/2008	Altobelli et al.
6,584,971	B1	7/2003	Denyer et al.	7,347,200	B2	3/2008	Jones et al.
6,585,698	B1	7/2003	Packman et al.	7,347,202	B2	3/2008	Aslin et al.
6,589,229	B1	7/2003	Connelly et al.	7,347,851	B1	3/2008	Kriksunov
6,599,281	B1	7/2003	Struys et al.	7,367,968	B2	5/2008	Rosenberg et al.
6,605,072	B2	8/2003	Struys et al.	7,380,550	B2	6/2008	Sexton et al.
6,606,989	B1	8/2003	Brand et al.	7,382,263	B2	6/2008	Danowski et al.
6,607,508	B2	8/2003	Knauer	7,383,837	B2	6/2008	Robertson et al.
6,615,827	B2	9/2003	Greenwood et al.	7,387,121	B2	6/2008	Harvey
6,629,524	B1	10/2003	Goodall et al.	7,390,311	B2	6/2008	Hildebrand et al.
6,640,804	B2	11/2003	Ivri et al.	7,397,730	B2	7/2008	Skyggebjerg et al.
6,651,651	B1	11/2003	Bonney et al.	7,415,384	B2	8/2008	Hartlaub
6,655,381	B2	12/2003	Keane et al.	7,424,888	B2	9/2008	Harvey et al.
6,656,148	B2	12/2003	Das et al.	7,455,667	B2	11/2008	Uhland et al.
6,678,555	B2	1/2004	Flower et al.	7,458,373	B2	12/2008	Nichols et al.
6,685,648	B2	2/2004	Flaherty et al.	7,467,629	B2	12/2008	Rand
6,705,316	B2	3/2004	Blythe et al.	7,483,743	B2	1/2009	Mann et al.
6,715,487	B2	4/2004	Nichols et al.	7,488,305	B2	2/2009	Mickley et al.
6,723,077	B2	4/2004	Pickup et al.	7,495,546	B2	2/2009	Lintell et al.
6,726,661	B2	4/2004	Munk et al.	7,510,551	B2	3/2009	Uhland et al.
6,728,574	B2	4/2004	Ujhelyi et al.	7,517,332	B2	4/2009	Tonelli et al.
6,745,761	B2	6/2004	Christrup et al.	7,520,278	B2	4/2009	Crowder et al.
6,745,764	B2	6/2004	Hickle	7,530,352	B2	5/2009	Childers et al.
6,746,429	B2	6/2004	Sadowski et al.	7,530,975	B2	5/2009	Hunter
6,748,945	B2	6/2004	Grychowski et al.	7,537,590	B2	5/2009	Santini et al.
6,796,956	B2	9/2004	Hartlaub et al.	7,542,798	B2	6/2009	Girouard
6,807,965	B1	10/2004	Hickle	7,544,190	B2	6/2009	Pickup et al.
6,810,290	B2	10/2004	Lebel et al.	7,548,314	B2	6/2009	Altobelli et al.
6,854,461	B2	2/2005	Nichols et al.	7,549,421	B2	6/2009	Levi et al.
6,858,011	B2	2/2005	Sehgal	7,552,728	B2	6/2009	Bonney et al.
6,866,037	B1	3/2005	Aslin et al.	7,554,090	B2	6/2009	Coleman et al.
6,886,557	B2	5/2005	Childers et al.	7,575,003	B2	8/2009	Rasmussen et al.
6,893,415	B2	5/2005	Madsen et al.	7,581,540	B2	9/2009	Hale et al.
6,902,740	B2	6/2005	Schaberg et al.	7,597,099	B2	10/2009	Jones et al.
6,923,784	B2	8/2005	Stein et al.	7,631,643	B2	12/2009	Morrison et al.
6,941,168	B2	9/2005	Girouard et al.	7,670,329	B2	3/2010	Flaherty et al.
6,949,081	B1	9/2005	Chance	7,672,726	B2	3/2010	Ginggen
6,958,691	B1	10/2005	Anderson et al.	7,677,467	B2	3/2010	Fink et al.
6,971,383	B2	12/2005	Hickey et al.	7,686,788	B2	3/2010	Freyman et al.
6,981,499	B2	1/2006	Anderson et al.	7,699,060	B2	4/2010	Behm
6,983,652	B2	1/2006	Blakley et al.	7,699,829	B2	4/2010	Harris et al.
6,985,771	B2	1/2006	Fischell et al.	7,708,011	B2	5/2010	Hochrainer et al.
6,985,870	B2	1/2006	Martucci et al.	7,713,229	B2	5/2010	Veit et al.
6,990,975	B1	1/2006	Jones et al.	7,715,919	B2	5/2010	Osorio et al.
6,999,854	B2	2/2006	Roth	7,717,877	B2	5/2010	Lavi et al.
7,010,337	B2	3/2006	Furnary et al.	7,725,161	B2	5/2010	Karmarkar et al.
7,034,692	B2	4/2006	Hickle	7,783,344	B2	8/2010	Lackey et al.
7,040,314	B2	5/2006	Nguyen et al.	2001/0000802	A1	5/2001	Soykan et al.
7,044,911	B2	5/2006	Drinan et al.	2001/0022279	A1	9/2001	Denyer et al.
7,047,964	B2	5/2006	Bacon	2002/0000225	A1	1/2002	Schuler et al.
7,054,782	B2	5/2006	Hartlaub	2002/0002349	A1	1/2002	Flaherty et al.
7,072,802	B2	7/2006	Hartlaub	2002/0010432	A1	1/2002	Klitmose et al.
7,089,935	B1	8/2006	Rand	2002/0013615	A1	1/2002	Haim et al.
7,097,853	B1	8/2006	Garbe et al.	2002/0026940	A1	3/2002	Brooker et al.
7,104,972	B2	9/2006	Moller et al.	2002/0077852	A1	6/2002	Ford et al.
7,107,988	B2	9/2006	Pinon et al.	2002/0099328	A1	7/2002	Scheiner et al.
7,108,680	B2	9/2006	Rohr et al.	2002/0120236	A1	8/2002	Diaz et al.
7,117,867	B2	10/2006	Cox et al.	2002/0153006	A1	10/2002	Zimlich et al.
7,138,088	B2	11/2006	Wariar et al.	2002/0189612	A1	12/2002	Rand et al.
7,147,170	B2	12/2006	Nguyen et al.	2002/0189615	A1	12/2002	Henry et al.
7,168,597	B1	1/2007	Jones et al.	2002/0198493	A1	12/2002	Diaz et al.
7,181,261	B2	2/2007	Silver et al.	2003/0004236	A1	1/2003	Meade et al.
7,191,777	B2	3/2007	Brand et al.	2003/0078561	A1	4/2003	Gambale et al.
7,198,172	B2	4/2007	Harvey et al.	2003/0079744	A1	5/2003	Bonney et al.
7,201,734	B2	4/2007	Hickle	2003/0094508	A1	5/2003	Peng et al.
7,204,823	B2	4/2007	Estes et al.	2003/0136418	A1	7/2003	Behm et al.
7,220,240	B2	5/2007	Struys et al.	2003/0140921	A1	7/2003	Smith et al.
7,225,805	B2	6/2007	Bacon	2003/0150446	A1	8/2003	Patel et al.
7,232,435	B2	6/2007	Hildebrand et al.	2003/0159693	A1	8/2003	Melker et al.
7,242,981	B2	7/2007	Ginggen	2003/0168057	A1	9/2003	Snyder et al.
7,247,154	B2	7/2007	Hickle	2003/0171738	A1	9/2003	Konieczynski et al.
7,261,733	B1	8/2007	Brown et al.	2003/0176804	A1	9/2003	Melker et al.
7,267,121	B2	9/2007	Ivri et al.	2003/0183226	A1	10/2003	Brand et al.
7,278,983	B2	10/2007	Ireland et al.	2003/0205229	A1	11/2003	Crockford et al.
7,291,126	B2	11/2007	Shekalim	2004/0004133	A1	1/2004	Ivri et al.

US 8,332,020 B2

WO	WO9207599	5/1992	WO	WO02089884	11/2002
WO	WO9209324	6/1992	WO	WO02096489	12/2002
WO	WO9211808	7/1992	WO	WO03006091	1/2003
WO	WO9215353	9/1992	WO	WO03008014	1/2003
WO	WO9217231	10/1992	WO	WO03020349	3/2003
WO	WO9306803	4/1993	WO	WO03022327	3/2003
WO	WO9312823	7/1993	WO	WO03028797	4/2003
WO	WO9405359	3/1994	WO	WO03035172	5/2003
WO	WO9408655	4/1994	WO	WO03038566	5/2003
WO	WO9416755	8/1994	WO	WO03045302	6/2003
WO	WO9416756	8/1994	WO	WO03059413	7/2003
WO	WO9416759	8/1994	WO	WO03071930	9/2003
WO	WO9427653	12/1994	WO	WO03073977	9/2003
WO	WO9507723	3/1995	WO	WO03086505	10/2003
WO	WO9507724	3/1995	WO	WO03090821	11/2003
WO	WO9513838	5/1995	WO	WO03097120	11/2003
WO	WO9526769	10/1995	WO	WO2004009161	1/2004
WO	WO9610440	4/1996	WO	WO2004011067	2/2004
WO	WO9616686	6/1996	WO	WO2004012801	2/2004
WO	WO9625186	8/1996	WO	WO2004020024	3/2004
WO	WO9625978	8/1996	WO	WO2004021882	3/2004
WO	WO9627341	9/1996	WO	WO2004022128	3/2004
WO	WO9630078	10/1996	WO	WO2004022153	3/2004
WO	WO9707896	3/1997	WO	WO2004022242	3/2004
WO	WO9711655	4/1997	WO	WO2004026380	4/2004
WO	WO9711742	4/1997	WO	WO2004032989	4/2004
WO	WO9711743	4/1997	WO	WO2004034998	4/2004
WO	WO9726934	7/1997	WO	WO2004041334	5/2004
WO	WO9733640	9/1997	WO	WO2004041339	5/2004
WO	WO9733645	9/1997	WO	WO2004045690	6/2004
WO	WO9748431	12/1997	WO	WO2004060436	7/2004
WO	WO9800188	1/1998	WO	WO2004060443	7/2004
WO	WO9801168	1/1998	WO	WO2004060447	7/2004
WO	WO9806450	2/1998	WO	WO2004080522	9/2004
WO	WO9814235	4/1998	WO	WO2004088567	10/2004
WO	WO9832479	7/1998	WO	WO2005009514	2/2005
WO	WO9839057	9/1998	WO	WO2005011779	2/2005
WO	WO9844984	10/1998	WO	WO2005028008	3/2005
WO	WO9850095	11/1998	WO	WO2005031317	4/2005
WO	WO9900144	1/1999	WO	WO2005039750	5/2005
WO	WO9930760	6/1999	WO	WO2005046559	5/2005
WO	WO9965551	12/1999	WO	WO2005051177	6/2005
WO	WO0001434	1/2000	WO	WO2005072798	8/2005
WO	WO0007652	2/2000	WO	WO2005084275	9/2005
WO	WO0018339	4/2000	WO	WO2005084738	9/2005
WO	WO0021598	4/2000	WO	WO2005087299	9/2005
WO	WO0027278	5/2000	WO	WO2005102412	11/2005
WO	WO0032267	6/2000	WO	WO2005102417	11/2005
WO	WO0038770	7/2000	WO	WO2005102418	11/2005
WO	WO0043059	7/2000	WO	WO2005102428	11/2005
WO	WO0047253	8/2000	WO	WO2005120615	12/2005
WO	WO0050111	8/2000	WO	WO2005123002	12/2005
WO	WO0053247	9/2000	WO	WO2006003665	1/2006
WO	WO0059483	10/2000	WO	WO2006009596	1/2006
WO	WO0105463	1/2001	WO	WO2006015299	2/2006
WO	WO0113973	3/2001	WO	WO2006022714	3/2006
WO	WO0124851	4/2001	WO	WO2006023644	3/2006
WO	WO0130419	5/2001	WO	WO2006029090	3/2006
WO	WO0158236	8/2001	WO	WO2006035443	4/2006
WO	WO0168169	9/2001	WO	WO2006044206	4/2006
WO	WO0183007	11/2001	WO	WO2006045524	5/2006
WO	WO0185027	11/2001	WO	WO2006058426	6/2006
WO	WO0187378	11/2001	WO	WO2006060106	6/2006
WO	WO0189607	11/2001	WO	WO2006069323	6/2006
WO	WO0200280	1/2002	WO	WO2006079898	8/2006
WO	WO0202052	1/2002	WO	WO2006096286	9/2006
WO	WO0204043	1/2002	WO	WO2006098933	9/2006
WO	WO0217988	3/2002	WO	WO2006098936	9/2006
WO	WO0217998	3/2002	WO	WO2006113408	10/2006
WO	WO0224257	3/2002	WO	WO2006116718	11/2006
WO	WO0224268	3/2002	WO	WO2006120253	11/2006
WO	WO0234318	5/2002	WO	WO2006124759	11/2006
WO	WO0236181	5/2002	WO	WO2006125577	11/2006
WO	WO02053223	7/2002	WO	WO2006127257	11/2006
WO	WO02072178	9/2002	WO	WO2006127905	11/2006
WO	WO02076533	10/2002	WO	WO2006127953	11/2006
WO	WO02078535	10/2002	WO	WO2006128794	12/2006
WO	WO02081016	10/2002	WO	WO2006130098	12/2006
WO	WO02089879	11/2002	WO	WO2006133101	12/2006

WO WO2007012854 2/2007
 WO WO2007028035 3/2007
 WO WO2007031740 3/2007
 WO WO2007034237 3/2007
 WO WO2007041158 4/2007
 WO WO2007041471 4/2007
 WO WO2007051563 5/2007
 WO WO2007070093 6/2007
 WO WO2007070695 6/2007
 WO WO2007120884 10/2007
 WO WO2007125699 11/2007
 WO WO2007127981 11/2007
 WO WO2007131025 11/2007
 WO WO2008016698 2/2008
 WO WO2008021252 2/2008
 WO WO2008022010 2/2008
 WO WO2008029403 3/2008
 WO WO2008030837 3/2008
 WO WO2008037801 4/2008
 WO WO2008038241 4/2008
 WO WO2008039091 4/2008
 WO WO2008043724 4/2008
 WO WO2008052039 5/2008
 WO WO2008073806 6/2008
 WO WO2008077706 7/2008
 WO WO2008078287 7/2008
 WO WO2008095183 8/2008
 WO WO2008103620 8/2008
 WO WO2008115906 9/2008
 WO WO2008117226 10/2008
 WO WO2008127743 10/2008
 WO WO2008130801 10/2008
 WO WO2008134107 11/2008
 WO WO2008134545 11/2008
 WO WO2008152588 12/2008
 WO WO2008154312 12/2008
 WO WO2008154504 12/2008
 WO WO2009003989 1/2009
 WO WO2009008001 1/2009
 WO WO2009013501 1/2009
 WO WO2009013670 1/2009
 WO WO2009023247 2/2009
 WO WO2009035759 3/2009
 WO WO2009042379 4/2009
 WO WO2009049252 4/2009
 WO WO2009063421 5/2009
 WO WO2009072079 6/2009
 WO WO2009076363 6/2009
 WO WO2009079589 6/2009
 WO WO2009081262 7/2009
 WO WO2009091851 7/2009
 WO WO2009098648 8/2009
 WO WO2009105337 8/2009
 WO WO2009126653 10/2009

WO WO2009137661 11/2009
 WO WO2009140251 11/2009
 WO WO2009145801 12/2009
 WO WO2009155335 12/2009
 WO WO2010007573 1/2010
 WO WO2010007574 1/2010
 WO WO2010008424 1/2010
 WO WO2010010473 1/2010
 WO WO2010021589 2/2010
 WO WO2010023591 3/2010
 WO WO2010025428 3/2010
 WO WO2010025431 3/2010
 WO WO2010029054 3/2010
 WO WO2010037828 4/2010
 WO WO2010042034 4/2010
 WO WO2010043054 4/2010
 WO WO2010045460 4/2010
 WO WO2010051551 5/2010
 WO WO2010052275 5/2010
 WO WO2010062675 6/2010

OTHER PUBLICATIONS

Nikander et al., "The Adaptive Delivery System in a Telehealth Setting: Patient Acceptance, Performance and Feasibility" *Journal of Aerosol Medicine and Pulmonary Drug Delivery*; vol. 23, Supp. 1, (2010) pp. S21-S27.
 Juvenile Diabetes Research Foundation International (JDRF), "Artificial Pancreas Project" (2010); <http://www.artificialpancreasproject.com/>; 3 pp.
 LIFESCAN, "OneTouch UltraLink™" <http://www.lifescan.com/products/meters/ultralink> (N.D.) 2 pp., Jul. 2010.
 MEDTRONIC, "CareLink Therapy Management Software for Diabetes" (2010); <https://carelink.minimed.com/patient/entry.jsp?bhcp=1>; 1 pp.
 MEDTRONIC, "Carelink™ USB" (n.d.) http://www.medtronicdiabetes.com/pdf/carelink_usb_factsheet.pdf 2pp., 2010.
 MEDTRONIC, "The New MiniMed Paradigm® REAL-Time Revel™ System" <http://www.medtronicdiabetes.com/products/index.html>; 2 pp.
 MEDTRONIC, "MINI MED Paradigm® Revel™ Insulin Pump" (n.d.) <http://www.medtronicdiabetes.com/products/insulinpumps/index.html>; 2 pp., 2010.
 MEDTRONIC, Mini Med Paradigm™ Veo™ System: Factsheet (2010), <http://www.medtronic-diabetes.com.au/downloads/Paradigm%20Veo%20Factsheet.pdf>; 4 pp.
 Park, "Medtronic to Buy MiniMed for \$3.7 Billion" (2001) *HomeCare*; http://homecaremag.com/mag/medical_medtronic_buy_minimed/; 2 pp.
 Prutchi et al., "Design and Development of Medical Electronic Instrumentation: A Practical Perspective of the Design, Construction, and Test of Medical Devices" *Wiley-Interscience* (2005) pp. 12-14.

FIG. 1

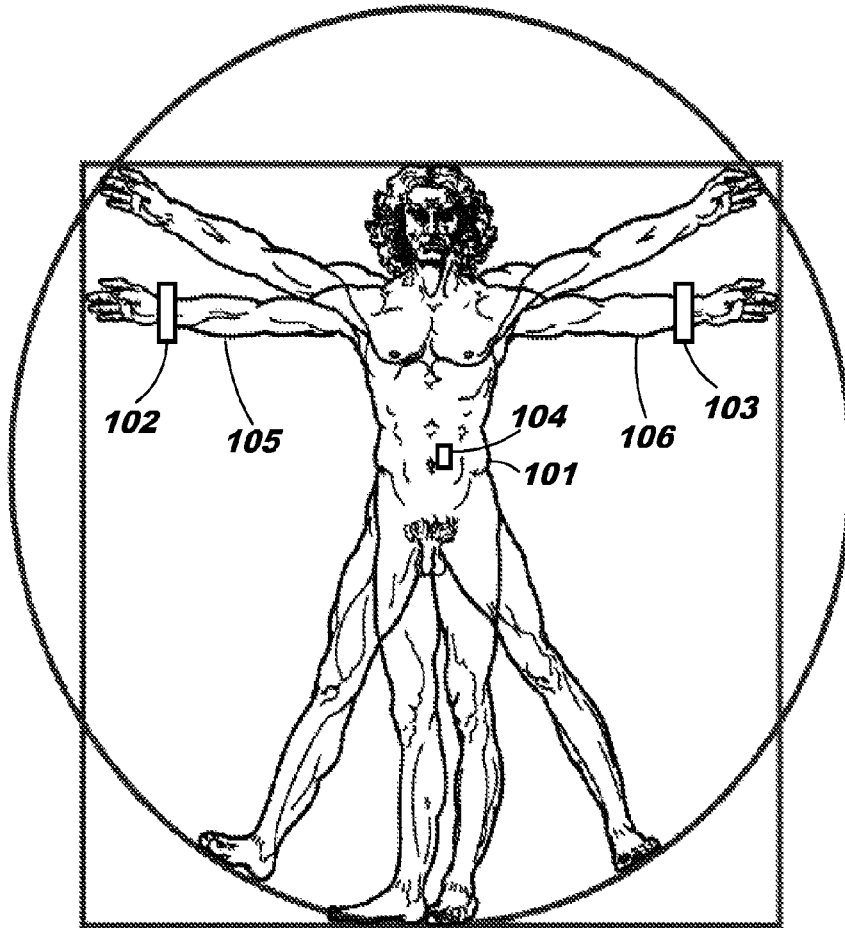


FIG. 2

102

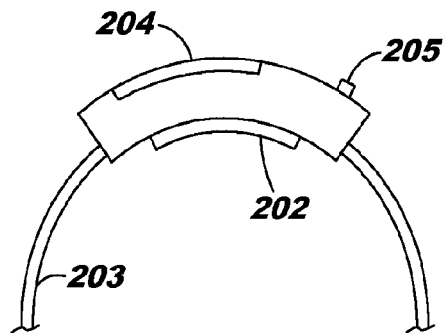


FIG. 3

103

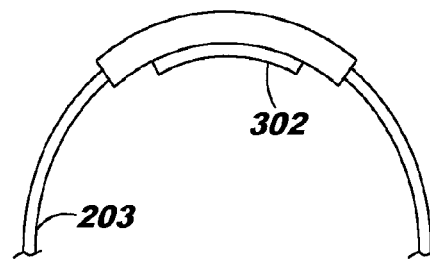


FIG. 4

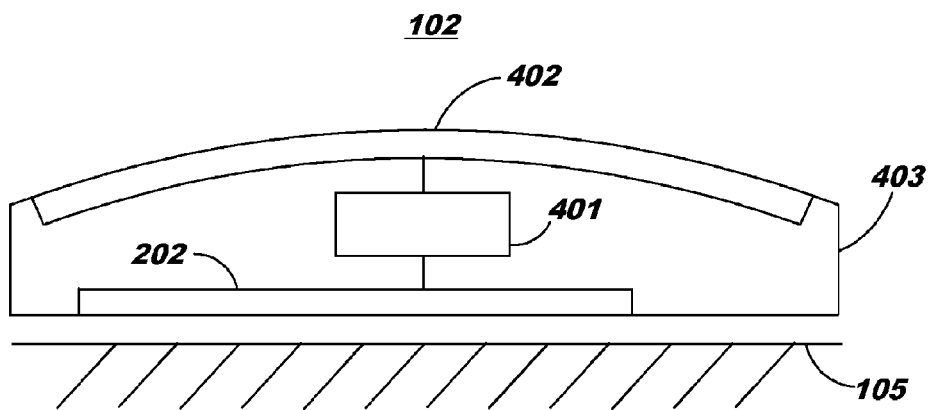


FIG. 5

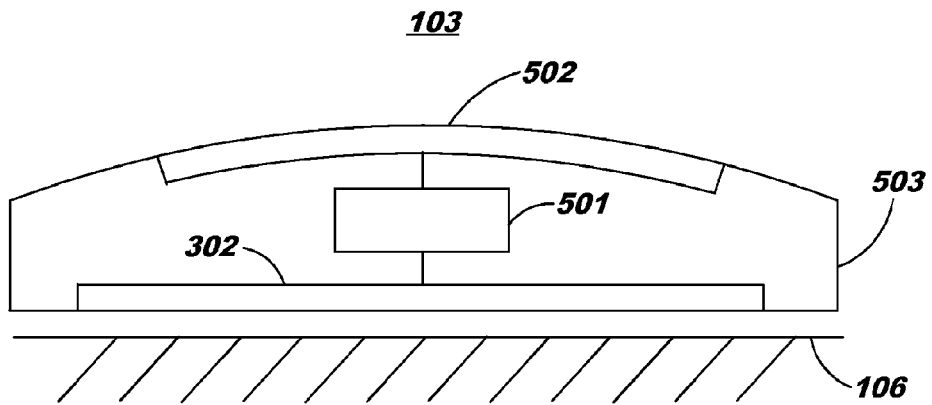


FIG. 6

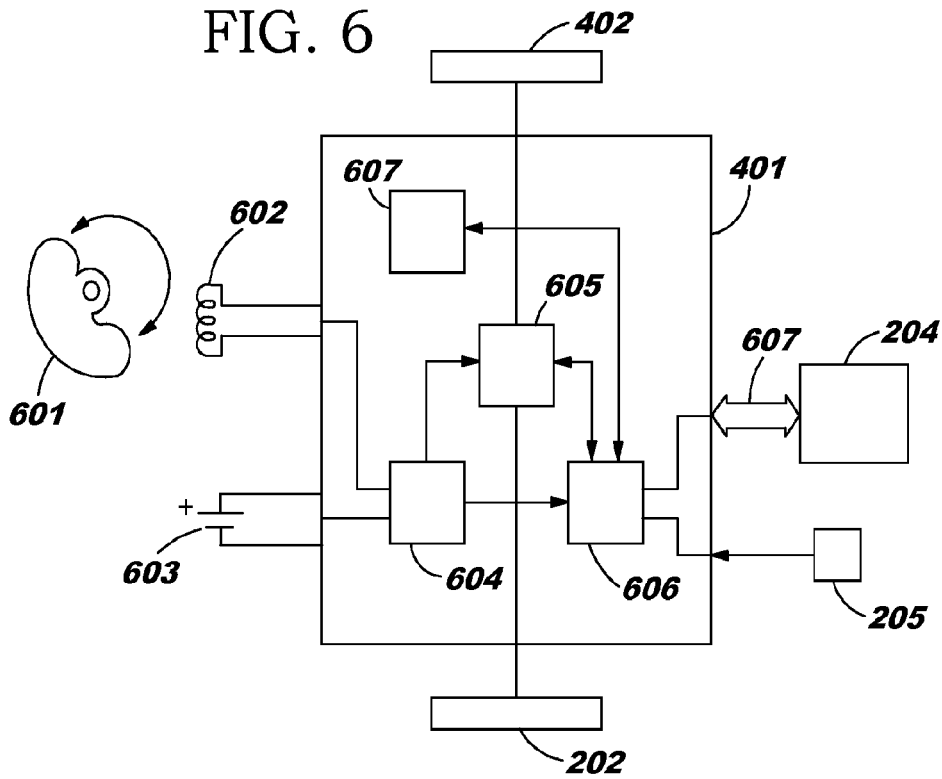
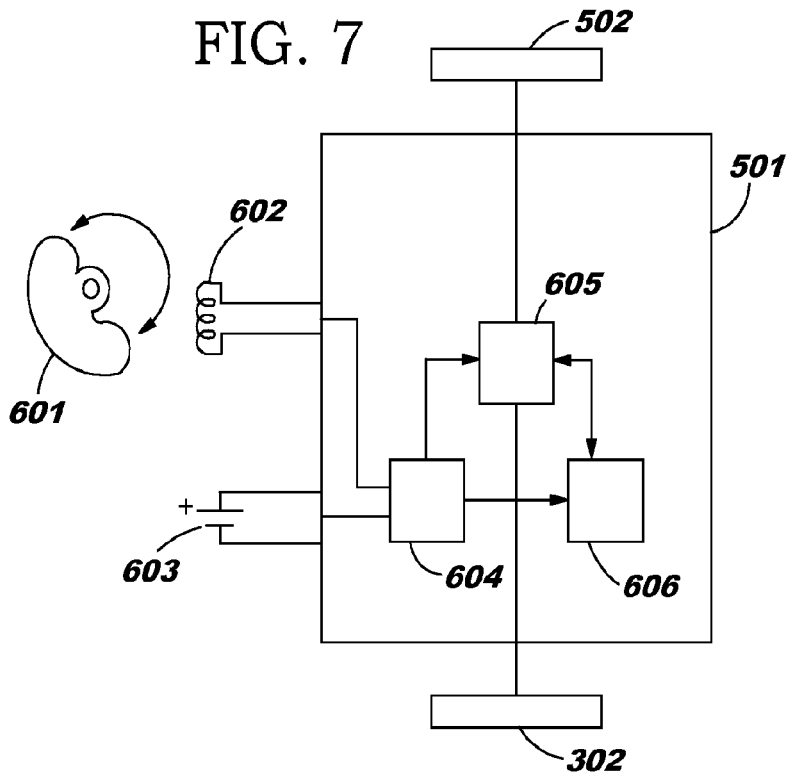


FIG. 7



TWO-WRIST DATA GATHERING SYSTEM

CROSS-REFERENCE TO RELATED APPLICATION

This application claims priority pursuant to 35 U.S.C. §119 to U.S. application Ser. No. 61/300,435 filed Feb. 1, 2010, and entitled "Two-wrist data-gathering system". The foregoing is incorporated by reference in its entirety.

INTRODUCTION

It is not easy to know whether a patient has taken his or her medication.

The assignee of the present invention has given much attention in recent years to ways of detecting ingestion of medications such as pills. Through great effort, the assignee of the present invention has devised systems involving pills each containing a device with communication means, e.g., conductive communication means, etc., and involving a receiver such as a patch applied to the skin of a patient, so that when one of the pills reaches the stomach, gastric acids activate the device which communicates a current signature. The patch picks up the current signature, thus detecting the ingestion of the pill. The patch can then pass along this event to other equipment and systems. For example the patch may use a Bluetooth protocol to send news of the event to a mobile telephone, which in turn can pass the event to other equipment. A typical patch location is the abdomen.

While the assignee of the present invention has had good results in its systems that use a patch in this way, the patch is sometimes inconvenient. It may be uncomfortable. It needs to be able to be flexible, since it adheres to skin that flexes. It is not easy to provide much of a man-machine interface ("MMI") on a patch located at the abdomen. Keyboards and displays are not very workable if they are on a planar surface adhered to the abdomen.

An abdominal patch has a power source, typically a battery or electrochemical cell (here for convenience of reference we will use the term "cell" to refer both to multicell batteries and to single cells). The cell has only a limited service life, defined in large part by the capacity of the cell and by the energy budget of the patch. When the battery is run down, the patch needs to be taken out of service and a different patch needs to be put into service. This can also be inconvenient.

When the pill gets triggered, it emits a signal, sends a communication, etc. . . . An exemplary pill and communication are described in detail in, for example, in the following US patent publications:

U.S. Publication No.	Publication date	Title
2008/0,284,599	Nov. 20, 2008	Pharma-informatics system
2008/0,306,359	Dec. 11, 2008	Medical diagnostic and treatment platform using near-field wireless communication of information within a patient's body
2009/0,082,645	Mar. 26, 2009	In-body device with virtual dipole signal amplification
2009/0,227,204	Sep. 10, 2009	Pharma-informatics system
2010/0,022,836	Jan. 28, 2010	In-body device having a multi-directional transmitter
2010/0,081,894	Apr. 1, 2010	Communication System with Partial Power Source
2010/0,312,188	Dec. 9, 2010	Pharma-informatics system

-continued

U.S. Publication No.	Publication date	Title
----------------------	------------------	-------

each of which is incorporated herein by reference for all purposes as if reproduced fully within. Actual tests with real pills, real patches, and real human subjects have achieved reliable detection of communications from such pills. This is remarkable given prior-art failures to achieve such reliable detection, and the many ways in which nature, human physiology, and materials science conspire to make these results difficult to achieve.

As a general matter, conventional electromagnetic radiation is emitted by a dipole and detected and received by a dipole, and conventional models assume that the signal strength falls away with distance at a rate determined by the permittivity and permeability of the medium (here, human tissue). Many investigators in this general area thus proceed with the assumption that the receiver, such as a patch, needs to be as nearby as possible to the transmitter (that is, nearby to the stomach).

It would be very desirable if some way could be found to detect the triggering of the pill transmitters that would avoid the inconveniences related to patches as just described, while nonetheless achieving the reliable detection that has been accomplished using patches. There are other physiological measurements that would also be desirable to carry out if only it could be accomplished reliably and accurately without undue discomfort or inconvenience to the patient.

SUMMARY

It is very counter-intuitive to carry out sensing from locations at considerable remove from the stomach, given that in general one might think the receiver needs to be as close as possible to the transmitter. And yet that is precisely what is described here. Cooperating sensor electronics are placed at each of two wrists of the patient. Once the counter-intuitive nature of this arrangement is put out of mind, other potential benefits become readily available, for example a man-machine interface can be provided. The potential discomfort and inconvenience of an abdominal patch are reduced or eliminated. And alternative power sources become available.

DESCRIPTION OF THE DRAWING

The invention is described with respect to a drawing in several figures, of which:

FIG. 1 shows a patient 101 with a wristwatch 102 and a bracelet 103 according to an aspect of the invention;

FIG. 2 shows the wristwatch 102 with elastic band 203;

FIG. 3 shows the bracelet 103 with elastic band 203;

FIG. 4 shows the wristwatch 102 in cross section, with electrode 202 in intimate juxtaposition with wrist 105, and with chip 401;

FIG. 5 shows the bracelet 103 in cross section, with electrode 302 in intimate juxtaposition with wrist 106, and with chip 501;

FIG. 6 shows chip 401 in functional block diagram form; and

FIG. 7 shows chip 501 in functional block diagram form.

To the extent possible, like elements have been denoted with like reference numerals.

DETAILED DESCRIPTION

FIG. 1 shows a patient 101 with a wristwatch 102 and a bracelet 103 according to an aspect of the invention. Wrist-

watch **102** is on right wrist **105** and bracelet **103** is on left wrist **106**. (It will be appreciated that this left-right arrangement is quite arbitrary and one could exchange the positions of the wristwatch and bracelet without departing from the invention.) One of the chief goals is to detect a transmitted signal or communication from pill **104** when it is triggered by gastric juices.

It will be appreciated that while this invention is described in an exemplary aspect where stomach juices trigger the pill, other variants could be devised such as aspects where the triggering does not occur until the pill reaches, say, the small intestine. One could also devise a staged approach where a first signal is triggered at a first point of progress through the gastro-intestinal system and a second signal is triggered at a second point of progress.

Turning now to FIG. 2, we see an exemplary wristwatch **102** with elastic band **203**. The elastic band helps to keep the electrode **202** in intimate contact with skin of the patient. A display **204**, such as an LCD, is shown. A pushbutton **205** is also shown. In this way a man-machine interface (MMI) is provided. It will be appreciated, of course, that the MMI need not be limited to what is shown here. Other elements of an MMI, such as a piezo beeper or other sound source, could be provided. A touch screen or other human input device (HID) could be used. The LCD and pushbutton are merely exemplary.

While this aspect is described with respect to elastic wristbands, other approaches such as a Speidel Twist-o-flex® watchband could be employed to keep each skin electrode in intimate contact with the skin.

FIG. 3 shows the bracelet **103** with elastic band **203**. The elastic band keeps electrode **302** in intimate contact with skin of the patient.

In the exemplary arrangements that follow, the electrodes **202**, **302** will be described as electrodes in intimate (conductive) contact with skin. Perhaps less preferred, but also workable, would be electrodes **202**, **302** in capacitive coupling with skin, that is, with some dielectric such as plastic film therebetween. Perhaps even less preferred, but maybe also workable, would be an arrangement in which the wristband **203** is not elastic at all but is of constant circumference, permitting the electrodes **202**, **302** to be in a spaced relationship relative to skin, sometimes having an air gap or partial air gap therebetween.

FIG. 4 shows the wristwatch **102** in cross section, with electrode **202** in intimate juxtaposition with wrist **105**, and with chip **401**. Chip **401** is communicatively coupled, preferably metallurgically connected, with skin electrode **202** and with a second electrode **402**. The second electrode **402** is open to the air, and provides what might be modeled as a counterpoise for the skin electrode **202**. A nonconductive casing **403** provides structure between the two electrodes. FIG. 5 shows the bracelet **103** in cross section, with electrode **302** in intimate juxtaposition with wrist **106**, and with chip **501** in communicative coupling with skin electrode **302** and second electrode **502**. The bracelet electrodes together with housing or casing **503** function similarly to their counterparts in the wristwatch.

FIG. 6 shows wristwatch chip **401** in functional block diagram form. Previously mentioned electrodes **202**, **402** may be seen, communicatively coupled with transceiver **605**. Cell **603** and power circuitry **604** provide power to transceiver **605** and to controller **606**. Controller **606** controls transceiver **605** and provides MMI such as LCD **204** and pushbutton **205**, and optionally other MMI such as a piezo beeper or other sound emitter. LCD **204** is controlled by multiline bus **607**.

Interestingly, a technology that seems rather old-fashioned, the self-winding mechanical watch, offers possible benefits here. As shown in FIG. 6, a pendulum **601** has an opportunity to move around as the human user moves around. A strong permanent magnet in the pendulum induces currents in a winding or windings **602**. This permits the cell **603** to be a rechargeable cell, or perhaps an ultracapacitor, mediated by power circuitry **604**. Bluetooth or other protocol system(s) **607** can communicate with external equipment such as a cell phone or personal computer.

FIG. 7 shows bracelet chip **501** in functional block diagram form. The elements shown there correspond closely with elements in FIG. 6.

The day-to-day function of the system (the pills, the bracelet, the wristwatch, and other equipment such as a mobile phone) will now be described in an exemplary aspect.

A chief goal is to detect, at the bracelet **103** and wristwatch **102**, a signal from a pill. To this end, the bracelet may carry out a real-time nearly continuous detection of signals at the skin electrode **302** relative to counterpoise **502**. This detection is A-to-D (analog-to-digital) converted, e.g., by an ADC (not shown in FIG. 7), preferable at a resolution higher than 16 bits, and the measured signal (communicated digitally and preferably as compressed data) is communicated via a wireless link to the wristwatch **102**. The wristwatch likewise carries out a real-time nearly continuous detection of signals at the skin electrode **202** relative to counterpoise **402**. This detection is A-to-D (analog-to-digital) converted, preferable at a resolution higher than 16 bits. The data streams from the two sensors (one at the bracelet, one at the wristwatch) are then communicated externally to other equipment that can do signal processing and can detect signals of interest such as the signal from the pill when it is triggered.

In a preferred arrangement, all of the noise would be common-mode and the signals of interest would be differential signals measured at the two arms.

As mentioned above, it is rather counterintuitive to take the step of moving the sensors to points that are about as far from the pill **104** as can be imagined. Once the counterintuitive nature of this move is accepted and put out of mind, many other interesting capabilities become available that would likely not have been available at all in prior-art arrangements such as an abdominal patch.

Technology suitable for such sensing is discussed in a paper entitled "A low-noise, non-contact EEG/ECG sensor" by Thomas J Sullivan, Stephen R. Deiss, and Gert Gauwenberghs of the University of California, San Diego, Biomedical Circuits and Systems Conference, 2007, BIOCAS 2007, IEEE, 27-30 Nov. 2007 Pages 154-157, Digital Object Identifier 10.1109/BIOCAS.2007.4463332, incorporated herein by reference.

Sensing things from further away from the body is discussed in PCT publication WO 2009/055733 entitled "Fluid transfer port information system", incorporated herein by reference, and in US published application US 2009-0112178 A1 with the same title, likewise incorporated herein by reference. Sensing blood volume is discussed in U.S. patent application No. 61/160,265 filed Mar. 13, 2009 and entitled "Volume-sensing device, system, and method", incorporated herein by reference. Other related technology is discussed in US patent application No. 61/240,571 filed Sep. 8, 2009 and entitled "Body-associated device", incorporated herein by reference.

As one potential benefit mentioned above, the move to the wrists permits the provision of a workable MMI. Wrists also tend to move around more than abdomens, making the self-winding feature more likely to serve its purpose.

More subtle and interesting capabilities, however, present themselves once the stimulus/sensing platform of a bracelet and wristwatch are available.

The heart function (essentially a two-electrode EKG) can be measured.

Energy can be transmitted at one of the two points (for example at the bracelet) at some frequency, which propagates through the body to the other point (in this example at the wristwatch) with some measured delay and some measured level of absorption, or measured impedance. Separately, energy can be transmitted at one of the two points (again for example at the bracelet) at a different frequency, which propagates through the body to the other point (again in this example at the wristwatch) with a non-identical measured delay and a non-identical measured level of absorption, or measured impedance. This probing of the body amounts to spectroscopy, and permits measuring bodily qualities such as amount of fluid in the body relative to other tissue materials. In this way, blood volume can be indirectly measured. Real-time measurement of blood volume has rarely if ever been achieved except by keeping a patient stationary during measurements, with large, bulky, and stationary measuring equipment. This approach permits real-time measurement even as a patient is ambulatory.

These measurements may permit real-time measurement of cardiac output or stroke volume at the heart.

It will be appreciated that one of the important parts of analysis of data collected at electrodes **202**, **302** (at the bracelet and at the watchband) is the time-correlation of measured data. One might think that this requires a highly accurate clock running in each of the bracelet and watchband, the two clocks being extremely closely synchronized.

But in fact it is quite workable to allow the two clocks to be less expensive (and less power-hungry) clocks that are permitted to drift relative to each other. At the wristwatch, synchronization events (simultaneous detection of common-mode impulse signals from the environment, for example) permit receiving a time signal from the bracelet which will then be understood to match a time value at the wristwatch. Drift of one clock relative to the other can be detected and corrected in this way.

The wristwatch and bracelet can be stylish. They need not look "clunky". The patient might actually enjoy wearing a recognizable or distinctive wristwatch and bracelet.

The A-to-D conversions at the two sensing locations are likely 18-bit, but might be sixteen-bit or twelve-bit.

Communication from the bracelet to the wristwatch might be open-loop (one way from bracelet to watchband) but it is thought preferable that the communication be bidirectional, at least to provide handshaking.

The communication may use an inductive coupling through the body at a high-frequency RF signal (higher than the sensed information that is expected to be in the range of 0.1 Hz to perhaps 100 Hz). Alternatively the communication can be optical infrared (bouncing off the surrounding walls and structures).

The MMI might provide a reminder to take a particular pill. And the MMI might provide an audible or visual acknowledgment when the patient has taken a particular pill.

Accelerometers in the bracelet or watchband or both will permit measurement of a physical activity level, and may permit detecting times of sleep. These could likewise be reported external to the patient.

The allocation of computational resources can be varied somewhat. For example it may be workable to do most of the computations in the wristwatch, comparing the signals as measured at the bracelet and at the wristwatch. Alternatively

it is workable to do the computations elsewhere (e.g. at a distant computer) and to have the wristwatch simply pass along the information which it received from the bracelet.

The needed bandwidth from bracelet to wristwatch, and from wristwatch to distant equipment, is such that a carrier of 10 MHz should be adequate.

The alert reader will have no difficulty devising myriad obvious improvements and variants of the invention, all of which are intended to be encompassed by the claims which follow.

The invention claimed is:

1. A data gathering method carried out with respect to a first device and a second device, each of the first device and the second device comprising a respective electrical signal detector having respective first and second electrodes, the method comprising the steps of:

placing a first device upon a first limb of a living body, the first device encircling said first limb, the first electrode of the first device juxtaposed with said first limb, the second electrode of the first device more distant from the first limb than the first electrode;

placing a second device upon a second limb of a body, the second device encircling said second limb, the second limb being a limb other than the first limb, the first electrode of the first device juxtaposed with said second limb, the second electrode of the second device more distant from the second limb than the first electrode;

at the first device, measuring electrical signals at the respective signal detector differentially between the respective first and second electrodes, yielding a first data stream indicative thereof;

at the second device, measuring electrical signals at the respective signal detector differentially between the respective first and second electrodes, yielding a second data stream indicative thereof; and

analyzing the first data stream and the second data stream together, thereby deriving information of interest about the body.

2. The method of claim **1** wherein the analyzing step further comprises synchronizing the first data stream to the second data stream by aligning common-mode events therein.

3. The method of claim **1** wherein the analyzing step is carried out at equipment separate from the first device and separate from the second device, the method further comprising the steps of:

communicating the first data stream from the first device to the equipment, and

communicating the second data stream from the second device to the equipment.

4. The method of claim **1** further characterized in that the first limb is a first arm of the body, and the second limb is a second arm of the body, and wherein the encircling of the first device comprises encircling a wrist of the first limb, and wherein the encircling of the second device comprises encircling a wrist of the second limb.

5. The method of claim **1** wherein the analyzing step comprises detecting at least one of a signal and a communication associated with an ingestible device ingested by the body.

6. The method of claim **1** wherein the first device has a rechargeable energy storage, the method further comprising the step of moving the first limb, and converting movement of the first limb into electrical energy, said electrical energy recharging the rechargeable energy storage.

7. The method of claim **6** further comprising the steps of: inferring a level of physical activity of the body from the converted electrical energy, and

7

communicating the inferred level of physical activity external to the first device and external to the second device.

8. The method of claim 1 wherein the measuring of electrical signals at the first device comprises carrying out an analog-to-digital conversion, the first data stream being digital, and wherein the measuring of electrical signals at the second device comprises carrying out an analog-to-digital conversion, the second data stream being digital.

9. The method of claim 8 wherein the analog-to-digital conversions take place with a resolution of at least sixteen bits.

10. The method of claim 1 wherein the analyzing step comprises carrying out an electrocardiogram measurement with respect to a heart of the body.

11. The method of claim 1 further comprising the steps of: emitting first electrical energy within a first band at the first device;

detecting the first electrical energy at the second device; emitting second electrical energy within a second band at the first device, the second band different from the first band;

detecting the second electrical energy at the second device; and

comparing the detected first electrical energy and the detected second energy with each other, thereby deriving information of interest about the body.

12. The method of claim 11 wherein the step of deriving information of interest about the body comprises inferring a ratio of fluid to non-fluid within the body.

13. The method of claim 11 wherein the step of deriving information of interest about the body comprises inferring blood volume within the body.

14. The method of claim 1 further comprising the step of: communicating the first data stream from the first device to the second device;

wherein the analyzing step is carried out within the second device.

15. The method of claim 14 wherein the communicating step is carried out by means of infrared light communications or by means of high frequency radio frequency communications.

16. A system comprising a first device and a second device, the first device comprising a respective electrical signal detector having respective first and second electrodes; the second device comprising a respective electrical signal detector having respective first and second electrodes; the first device shaped for encircling a limb of a subject, the first electrode of the first device disposed to be juxtaposed with said limb when the first device encircles the limb, the second electrode of the first device disposed to be more distant from the limb than the first electrode when the first device encircles the limb;

the second device shaped for encircling a limb of a subject, the first electrode of the second device disposed to be juxtaposed with said limb when the second device encircles the limb, the second electrode of the second device disposed to be more distant from the limb than the first electrode when the second device encircles the limb;

8

the electrical signal detector of the first device responsive to signals at the respective first and second electrodes, yielding a first data stream indicative of a difference between the signals at the respective first and second electrodes;

the electrical signal detector of the second device responsive to signals at the respective first and second electrodes, yielding a second data stream indicative of a difference between the signals at the respective first and second electrodes;

the system further comprising an analysis means, said means responsive to the first data stream and the second data stream, for deriving information of interest about the body.

17. The system of claim 16 where the analysis means is separate from the first device and separate from the second device, the system further comprising:

a communications link from the first device to equipment, and
a communications link from the second device to the equipment.

18. The system of claim 16 wherein the first device further comprises a rechargeable energy storage, the first device further comprising a means converting movement into electrical energy, said electrical energy recharging the rechargeable energy storage.

19. The system of claim 18, wherein the analysis means infers a level of physical activity of the body from the converted electrical energy, and

communicates the inferred level of physical activity external to the first device and external to the second device.

20. The system of claim 16 wherein the first device further comprises an analog-to-digital converter converting analog signals from the respective first and second electrodes into digital data, the first data stream comprising said digital data.

21. The system of claim 19 wherein the analog-to-digital converter has a resolution of at least sixteen bits.

22. The system of claim 16 wherein the first device comprises an emitter controllably emitting first electrical energy within a first band at the first device and controllably emitting second electrical energy within a second band at the first device, the second band different from the first band;

and wherein the second device comprises a detector disposed to detect first electrical energy and the second electrical energy;

the analysis means disposed to compare the detected first electrical energy and the detected second energy with each other, thereby deriving information of interest.

23. The system of claim 16 wherein the first device communicates the first data stream to the second device; and wherein the analyzing means is within the second device.

24. The system of claim 23 wherein communicating is carried out by means of an infrared light communications channel or by means of a high frequency radio frequency communications channel.

* * * * *