



US007722686B2

(12) **United States Patent**
Xi et al.

(10) **Patent No.:** **US 7,722,686 B2**

(45) **Date of Patent:** **May 25, 2010**

(54) **COMPOSITE ELECTRODE AND METHOD FOR FABRICATING SAME**

2,692,210 A	10/1954	Burnham
2,800,616 A	7/1957	Becker
3,060,254 A	10/1962	Urry
3,105,178 A	9/1963	Meyers
3,201,516 A	8/1965	Weingartner
3,288,641 A	11/1966	Rightmire

(75) Inventors: **Xiaomei Xi**, Carlsbad, CA (US); **Linda Zhong**, San Diego, CA (US); **Porter Mitchell**, San Diego, CA (US)

(73) Assignee: **Maxwell Technologies, Inc.**, San Diego, CA (US)

(*) Notice: Subject to any disclaimer, the term of this patent is extended or adjusted under 35 U.S.C. 154(b) by 754 days.

(Continued)

FOREIGN PATENT DOCUMENTS

(21) Appl. No.: **11/487,914**

CA 660854 4/1963

(22) Filed: **Jul. 17, 2006**

(Continued)

(65) **Prior Publication Data**

US 2007/0026317 A1 Feb. 1, 2007

OTHER PUBLICATIONS

Supplementary European Search Report, completed Oct. 9, 2009.

Related U.S. Application Data

(Continued)

(62) Division of application No. 10/916,936, filed on Aug. 12, 2004, now Pat. No. 7,090,946.

Primary Examiner—Patrick Ryan
Assistant Examiner—Thomas H. Parsons
(74) *Attorney, Agent, or Firm*—Oppedahl Patent Law Firm LLC

(60) Provisional application No. 60/578,722, filed on Jun. 10, 2004, provisional application No. 60/557,576, filed on Mar. 30, 2004, provisional application No. 60/546,093, filed on Feb. 19, 2004.

(57) **ABSTRACT**

(51) **Int. Cl.**
H01M 4/82 (2006.01)
H01G 9/00 (2006.01)
C09J 5/10 (2006.01)

Composite electrodes are constructed with pressure-bonding techniques instead of an adhesive. A current collector is made from aluminum foil roughed on both surfaces. The surfaces of the collector can be treated to enhance adhesion to the surfaces. Layers of film that includes active electrode material, such as activated carbon, are fabricated and pressure-bonded to the current collector using a calender with heated rollers. The resulting composite sheet is then processed to shape electrodes, which can be used in electrical energy storage devices, including double layer capacitors.

(52) **U.S. Cl.** **29/623.3**; 361/502; 156/306.3; 428/232

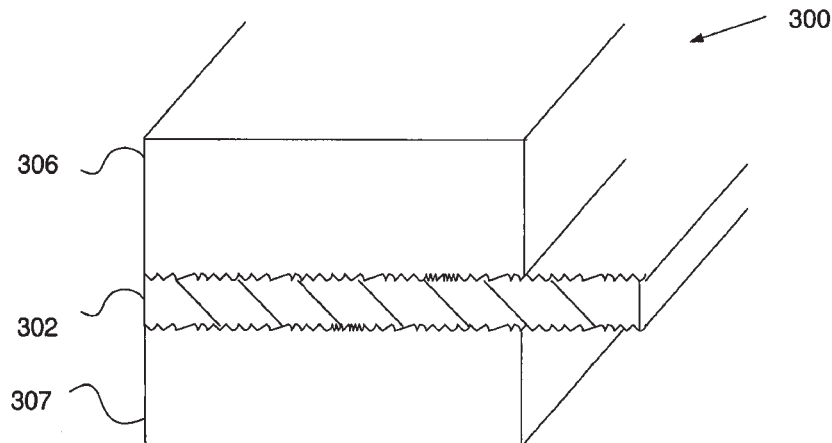
(58) **Field of Classification Search** 428/232; 156/306.3; 361/502; 29/623.3
See application file for complete search history.

(56) **References Cited**

U.S. PATENT DOCUMENTS

2,234,608 A 3/1941 Robinson

12 Claims, 4 Drawing Sheets



U.S. PATENT DOCUMENTS							
3,386,014	A	5/1968	Burger	4,917,309	A	4/1990	Zander et al.
3,513,033	A	5/1970	Watanabe	4,985,296	A	1/1991	Mortimer, Jr.
3,528,955	A	9/1970	Lippman et al.	4,987,518	A	1/1991	Dain
3,536,963	A	10/1970	Boos	4,992,910	A	2/1991	Evans
3,617,387	A	11/1971	Grulke	5,012,385	A	4/1991	Kurabayashi
3,648,126	A	3/1972	Boos	5,019,311	A	5/1991	Koslow
3,648,337	A	3/1972	Greskamp	5,064,805	A	11/1991	Otowa
3,652,902	A	3/1972	Hart	5,065,286	A	11/1991	Kurabayashi
3,700,975	A	10/1972	Duane	5,071,610	A	12/1991	Hagen
3,838,092	A	9/1974	Vogt	5,072,335	A	12/1991	Kurabayashi
3,864,124	A	2/1975	Breton et al.	5,072,336	A	12/1991	Kurabayashi
3,935,029	A	1/1976	Baker	5,072,337	A	12/1991	Kurabayashi
3,977,901	A	8/1976	Buzzelli	5,077,634	A	12/1991	Shirata
4,012,562	A	3/1977	Saunders	5,080,963	A	1/1992	Tatarchuk
4,096,277	A	6/1978	Martin	5,086,373	A	2/1992	Kurabayashi
4,129,633	A	12/1978	Biddick	5,096,663	A	3/1992	Tatarchuk
4,153,661	A	5/1979	Ree et al.	5,099,398	A	3/1992	Kurabayashi
4,161,063	A	7/1979	Goebel	5,100,747	A	3/1992	Hayashida et al.
4,163,811	A	8/1979	Kohlmayr	5,102,745	A	4/1992	Tatarchuk
4,175,055	A	11/1979	Goller et al.	5,103,379	A	4/1992	Kurabayashi
4,177,159	A	12/1979	Singer	5,117,065	A	5/1992	Savage
4,187,390	A	2/1980	Gore	5,121,301	A	6/1992	Kurabayashi
4,194,040	A	3/1980	Breton et al.	5,136,472	A	8/1992	Tsuchiya
4,287,232	A	1/1981	Bernstein et al.	5,136,474	A	8/1992	Sarangapani et al.
4,278,525	A	7/1981	Gestaut	5,142,451	A	8/1992	Kurabayashi
4,313,084	A	1/1982	Hosokawa	5,144,595	A	9/1992	Graham
4,313,972	A	2/1982	Goller et al.	5,145,752	A	9/1992	Goldstein
4,317,789	A	2/1982	Groukt et al.	5,147,539	A	9/1992	Hagen
4,320,184	A	3/1982	Bernstein et al.	5,147,722	A	9/1992	Koslow
4,320,185	A	3/1982	Bernstein et al.	5,150,283	A	9/1992	Yoshida et al.
4,327,400	A	4/1982	Muranaka	5,158,722	A	10/1992	Ilic
4,336,217	A	6/1982	Sauer	5,162,178	A	11/1992	Ohsawa et al. 429/213
4,337,140	A	6/1982	Solomon	5,168,019	A	12/1992	Sugeno
4,341,847	A	7/1982	Sammells	5,172,307	A	12/1992	Tabuchi
4,354,958	A	10/1982	Solomon	5,190,833	A	3/1993	Goldstein
4,379,772	A	4/1983	Solomon	5,198,313	A	3/1993	Juergens
4,383,010	A	5/1983	Spaepen	5,214,564	A	5/1993	Metzler et al.
4,396,693	A	8/1983	Bernstein	5,219,673	A	6/1993	Kaun
4,405,544	A	9/1983	Solomon	5,227,960	A	7/1993	Kunishi
4,438,481	A	3/1984	Phillips	5,253,148	A	10/1993	Katsu
4,440,835	A	4/1984	Vignaud	5,277,729	A	1/1994	Endo
4,457,953	A	7/1984	Mc Intyre	5,304,330	A	4/1994	Tatarchuk
4,481,558	A	11/1984	Endoh	5,318,862	A	6/1994	Liu
4,482,931	A	11/1984	Yializis	5,350,643	A	9/1994	Imahashi
4,500,647	A	2/1985	Solomon et al.	5,351,164	A	9/1994	Grigortchak
4,556,618	A	12/1985	Shia	5,381,301	A	1/1995	Hudis
4,562,511	A	12/1985	Nishino	5,381,303	A	1/1995	Yoshida
4,576,861	A	3/1986	Kato	5,393,617	A	2/1995	Klein
4,594,758	A	6/1986	Watanabe	5,398,155	A	3/1995	Sato
4,597,028	A	6/1986	Yoshida	5,420,747	A	5/1995	Ivanov
4,622,611	A	11/1986	Bennett	5,436,093	A	7/1995	Huang et al.
4,664,683	A	5/1987	Degen	5,442,197	A	8/1995	Andrieu
4,683,516	A	7/1987	Miller	5,450,279	A	9/1995	Yoshida et al.
4,700,450	A	10/1987	Pozzo	5,453,909	A	9/1995	Kobayashi
4,709,303	A	11/1987	Fujiwara	5,456,000	A	10/1995	Gozdz et al.
4,725,926	A	2/1988	Morimoto	5,468,674	A	11/1995	Walker
4,725,927	A	2/1988	Morimoto	5,470,357	A	11/1995	Schmutz et al.
4,730,239	A	3/1988	Currie	5,471,365	A	11/1995	Nakamura
4,737,889	A	4/1988	Nishino et al.	5,478,668	A	12/1995	Gozdz et al.
4,758,473	A	7/1988	Herscovici et al.	5,482,906	A	1/1996	Sakai et al.
4,760,494	A	7/1988	Crum	5,518,823	A	5/1996	Fujihira
4,802,063	A	1/1989	Carino	5,550,706	A	8/1996	Kurzweil
4,804,592	A	2/1989	Vanderborgh	5,557,497	A	9/1996	Ivanov et al.
4,805,074	A	2/1989	Harakawa	5,581,438	A	12/1996	Halliop
4,822,701	A	4/1989	Ballard et al.	5,585,999	A	12/1996	De Long
4,853,305	A	8/1989	Anderman	5,593,462	A	1/1997	Gueguen et al.
4,862,328	A	8/1989	Morimoto	5,620,597	A	4/1997	Andelman
4,866,117	A	9/1989	Egashira	5,620,807	A	4/1997	Mussell
4,877,694	A	10/1989	Solomon	5,621,607	A	4/1997	Farahmandi et al.
4,895,775	A	1/1990	Kato et al.	5,621,608	A	4/1997	Arai
4,908,281	A	3/1990	O'Callaghan	5,636,437	A	6/1997	Kaschmitter et al.
				5,649,982	A	7/1997	Halliop
				5,659,457	A	8/1997	Lian

5,665,212 A	9/1997	Zhong	6,152,970 A	11/2000	Wei
5,675,553 A	10/1997	O'Brien	6,159,611 A	12/2000	Lee et al.
5,682,288 A	10/1997	Wahni	6,181,545 B1	1/2001	Amatucci et al.
5,697,390 A	12/1997	Garrison	6,187,061 B1	2/2001	Amatucci et al.
5,698,342 A	12/1997	Klein	6,195,251 B1	2/2001	Suhara
5,703,906 A	12/1997	O'Brien	6,198,623 B1	3/2001	Amatucci
5,706,165 A	1/1998	Saito et al.	6,201,685 B1	3/2001	Jerabek
5,707,763 A	1/1998	Shimizu et al.	6,201,686 B1	3/2001	Hiratsuka
5,714,271 A	2/1998	Yamanoi	6,205,034 B1	3/2001	Zayatz
5,720,780 A	2/1998	Liu et al.	6,207,251 B1	3/2001	Balsimo et al.
5,742,474 A	4/1998	Shimizu	6,212,061 B1	4/2001	Irwin
5,748,438 A	5/1998	Davis	6,212,062 B1	4/2001	Day
5,748,439 A	5/1998	MacFarlane	6,222,715 B1	4/2001	Gruhn
5,751,541 A	5/1998	Li	6,222,720 B1	4/2001	Aoki
5,757,675 A	5/1998	O'Brien	6,225,733 B1	5/2001	Gadkaree et al.
5,777,428 A	7/1998	Farahmandi	6,233,135 B1	5/2001	Farahmandi
5,781,460 A	7/1998	Nguyen	6,236,560 B1	5/2001	Ikeda et al.
5,785,786 A	7/1998	Suzuki	6,238,818 B1	5/2001	Dalton
5,786,555 A	7/1998	Saito et al.	6,245,464 B1	6/2001	Spillman et al.
5,786,980 A	7/1998	Evans	6,246,568 B1	6/2001	Nakao
5,786,981 A	7/1998	Aoki	6,256,190 B1	7/2001	Wei
5,793,603 A	8/1998	Lyman	6,259,595 B1	7/2001	Hebel et al.
5,796,574 A	8/1998	Saito	6,262,360 B1	7/2001	Michel
5,798,906 A	8/1998	Ando	6,262,879 B1	7/2001	Nitta
5,812,367 A	9/1998	Kudoh	6,270,707 B1	8/2001	Hori
5,837,630 A	11/1998	Owens	6,275,372 B1	8/2001	Vassallo
5,840,087 A	11/1998	Gozdz et al.	6,282,081 B1	8/2001	Takabayashi
5,846,675 A	12/1998	Sazhin et al.	6,294,292 B1	9/2001	Tsushima
5,847,919 A	12/1998	Shimizu	6,301,092 B1	10/2001	Hata et al.
5,847,920 A	12/1998	Li	6,301,093 B1	10/2001	Noguchi
5,849,431 A	12/1998	Kita et al.	6,304,426 B1	10/2001	Wei et al.
5,850,331 A	12/1998	Matsumoto	6,308,405 B1	10/2001	Takamatsu et al.
5,859,761 A	1/1999	Aoki	6,310,756 B1	10/2001	Miura et al.
5,862,035 A	1/1999	Farahmandi	6,310,762 B1	10/2001	Okamura
5,875,092 A	2/1999	Jow	6,310,765 B1	10/2001	Tanahashi
5,778,515 A	3/1999	Ikeda et al.	6,323,750 B1	11/2001	Lampl et al.
5,877,935 A	3/1999	Sato	6,327,137 B1	12/2001	Yamamoto
5,879,836 A *	3/1999	Ikeda et al. 429/231.8	6,335,857 B1	1/2002	Takimoto
5,900,585 A	5/1999	Winfield	6,339,529 B1	1/2002	Kasahara
5,907,472 A	5/1999	Farahmandi	6,349,027 B1	2/2002	Suhara et al.
5,909,356 A	6/1999	Hirabayashi	6,359,769 B1	3/2002	Mushiake et al.
5,914,019 A	6/1999	Dodgson et al.	6,368,365 B1	4/2002	Chi
5,914,852 A	6/1999	Hatanaka	6,377,441 B1	4/2002	Ohya et al.
5,916,485 A	6/1999	Besenhard	6,383,427 B2	5/2002	Ishikawa
5,917,693 A	6/1999	Kono	6,397,234 B1	5/2002	O'Brien
5,920,455 A	7/1999	Shah	6,397,274 B1	5/2002	Miller
5,923,525 A	7/1999	Belyakov	6,402,792 B1	6/2002	Hiratsuka
5,926,357 A	7/1999	Elias	6,403,257 B1	6/2002	Christian et al.
5,926,361 A	7/1999	Alford	6,423,105 B1	7/2002	Iijima
5,930,108 A	7/1999	Kurzwell	6,424,514 B1	7/2002	Boy et al.
5,949,637 A	9/1999	Iwaida	6,424,517 B1	7/2002	Ikeda
5,949,638 A	9/1999	Greenwood	6,426,865 B2	7/2002	Kasahara
5,955,215 A	9/1999	Kurzweil et al.	6,430,031 B1	8/2002	Dispennette
5,956,225 A	9/1999	Okuyama	6,447,669 B1	9/2002	Lain
5,959,832 A	9/1999	Kobayashi	6,452,782 B1	9/2002	Otsuki
5,966,414 A	10/1999	O'Brien	6,456,484 B1	9/2002	Matsuoka
5,973,912 A	10/1999	Kibi et al.	6,459,564 B1	10/2002	Watanabe et al.
6,022,436 A	2/2000	Koslow et al.	6,466,429 B1	10/2002	Volfkovich
6,024,773 A	2/2000	Inuzuka et al.	6,466,516 B1	10/2002	O'Brien
6,031,712 A	2/2000	Kurihara et al.	6,493,210 B2	12/2002	Nonaka et al.
6,045,769 A	4/2000	Kambe	6,512,667 B2	1/2003	Shiue
6,045,947 A	4/2000	Shindo	6,552,894 B2	4/2003	Matsuoka
6,059,847 A	5/2000	Farahmandi	6,558,832 B1	5/2003	Bruck
6,064,563 A	5/2000	Yamada	6,558,835 B1	5/2003	Kurisu et al.
6,066,440 A	5/2000	Araki	6,589,299 B2	7/2003	Missling et al.
6,072,692 A	6/2000	Hiratsuka et al.	6,614,646 B2	9/2003	Bogaki et al.
6,094,338 A	7/2000	Hirahara et al.	6,625,008 B2	9/2003	Watanabe
6,094,788 A	8/2000	Farahmandi	6,627,252 B1	9/2003	Nanjundiah et al.
6,110,335 A	8/2000	Avarbz et al.	6,627,337 B2	9/2003	Gan
6,114,835 A	9/2000	Price	6,628,504 B2	9/2003	Volfkovich
6,127,060 A	10/2000	Read	6,631,071 B2	10/2003	Kitagawa
6,127,474 A	10/2000	Andelman	6,638,385 B2	10/2003	Ishikawa
6,134,760 A	10/2000	Mushiake et al.	6,643,119 B2	11/2003	Bendale

6,645,664	B2	11/2003	Nakanishi et al.	2003/0161781	A1	8/2003	Cabasso
6,671,166	B1	12/2003	Penneau	2003/0169558	A1	9/2003	Olson
6,677,078	B2	1/2004	Reise et al.	2003/0175494	A1	9/2003	Penneau et al.
6,697,249	B2	2/2004	Maletin et al.	2003/0175588	A1	9/2003	Zhang
6,708,757	B2	3/2004	Hebel et al.	2003/0180622	A1	9/2003	Tsukuda et al.
6,761,744	B1	7/2004	Tsukamoto et al.	2003/0186110	A1	10/2003	Sloop
6,768,056	B2	7/2004	Fischer	2004/0027782	A1	2/2004	Erhardt
6,795,297	B2	9/2004	Iwaida et al.	2004/0101755	A1	5/2004	Huang
6,800,222	B1	10/2004	Noguchi	2005/0064289	A1	3/2005	Suzuki et al.
6,804,108	B2	10/2004	Nanjundiah et al.	2005/0078432	A1	4/2005	Gallay et al.
6,808,845	B1	10/2004	Nonaka et al.	2005/0116375	A1	6/2005	Ito
6,813,139	B2	11/2004	Bendale	2005/0186473	A1	8/2005	Mitchell
6,821,877	B1	11/2004	Han	2005/0225929	A1	10/2005	Murakami et al.
6,831,826	B2	12/2004	Iwaida et al.	2005/0250011	A1	11/2005	Mitchell
6,841,591	B2	1/2005	Vincent	2005/0266298	A1	12/2005	Mitchell et al.
6,841,594	B2	1/2005	Jones et al.	2005/0266990	A1	12/2005	Iwasaki et al.
6,842,330	B2	1/2005	Farahmandi	2005/0271798	A1	12/2005	Zhong
6,847,517	B2	1/2005	Iwaida et al.	2005/0276003	A1	12/2005	Fujino
5,478,363	A1	3/2005	Klein	2006/0035785	A1	2/2006	Tanaka
6,896,993	B2	5/2005	Hozumi	2006/0039100	A1	2/2006	Asano et al.
6,906,911	B2	6/2005	Ikeda et al.	2006/0054277	A1	3/2006	Byun et al.
6,912,116	B2	6/2005	Takahashi et al.	2006/0105624	A1	5/2006	Yoshikane et al.
6,914,768	B2	7/2005	Matsumoto	2006/0109608	A1	5/2006	Zhong et al.
6,918,991	B2	7/2005	Chickering, III et al.	2006/0114643	A1	6/2006	Mitchell
6,922,330	B2	7/2005	Nielsen	2006/0133012	A1	6/2006	Zhong et al.
6,946,007	B2	9/2005	Bendale	2006/0133013	A1	6/2006	Xi et al.
6,967,412	B2	11/2005	Standing	2006/0137158	A1	6/2006	Zou et al.
7,016,178	B2	3/2006	Erhardt	2006/0143884	A1	7/2006	Mitchell et al.
7,018,568	B2	3/2006	Tierney	2006/0146475	A1	7/2006	Zhong et al.
7,061,749	B2	6/2006	Liu	2006/0146479	A1	7/2006	Mitchell et al.
7,074,688	B2	7/2006	Kurihara	2006/0147712	A1	7/2006	Mitchell et al.
7,085,112	B2	8/2006	Wilk	2006/0148191	A1	7/2006	Mitchell et al.
7,090,946	B2	8/2006	Mitchell et al.	2006/0188784	A1	8/2006	Sudoh
7,091,156	B2	8/2006	Hirahara	2006/0246343	A1	11/2006	Mitchell
7,095,604	B2	8/2006	Noguchi	2007/0053140	A1	3/2007	Soliz
7,102,877	B2	9/2006	Mitchell	2007/0054559	A1	3/2007	Thrap
7,138,711	B2	11/2006	Yee	2007/0122698	A1	5/2007	Mitchell
7,139,162	B2	11/2006	Mitchell et al.	2007/0146966	A1	6/2007	Zhong
7,141,230	B2	11/2006	Takeuchi	2007/0146967	A1	6/2007	Xi
7,169,509	B2	1/2007	Nobuta	2007/0177334	A1	8/2007	Thrap
7,177,139	B2	2/2007	Oizumi	2007/0184711	A1	8/2007	Thrap et al.
7,184,190	B2	2/2007	McCabe	2007/0190424	A1	8/2007	Mitchell
7,199,997	B1	4/2007	Lipka	2007/0201185	A1	8/2007	Yoshio
7,203,053	B2	4/2007	Stockman	2007/0257394	A1	11/2007	Borkenhagen
7,203,056	B2	4/2007	Thrap	2007/0258189	A1	11/2007	Tano
7,227,737	B2	6/2007	Mitchell	2007/0258193	A1	11/2007	Zhong
7,236,348	B2	6/2007	Asano	2008/0013253	A1	1/2008	Thrap
7,245,478	B2	7/2007	Zhong	2008/0014139	A1	1/2008	Zhong
7,256,099	B2	8/2007	Takahashi	2008/0016664	A1	1/2008	Mitchell
7,295,423	B1	11/2007	Mitchell et al.	2008/0089006	A1	4/2008	Zhong
7,352,558	B2	4/2008	Zhong	2008/0089013	A1	4/2008	Zhong
7,440,258	B2	10/2008	Thrap	2008/0092808	A1	4/2008	Mitchell
7,443,650	B2	10/2008	Nedoshivin	2008/0102371	A1	5/2008	Mitchell
7,443,651	B2	10/2008	Ando	2008/0117564	A1	5/2008	Zhong
7,491,352	B2	2/2009	Ito	2008/0117565	A1	5/2008	Zhong
7,492,574	B2	2/2009	Fresard	2008/0201925	A1	8/2008	Zhong
2001/0014420	A1	8/2001	Takeuchi et al.	2008/0204973	A1	8/2008	Zhong
2001/0049050	A1	12/2001	Aragane	2008/0206446	A1	8/2008	Mitchell
2002/0008956	A1	1/2002	Niu	2008/0236742	A1	10/2008	Mitchell
2002/0039275	A1	4/2002	Takeuchi et al.	2008/0266752	A1	10/2008	Thrap
2002/0096661	A1	7/2002	Shinozaki et al.	2008/0266753	A1	10/2008	Mitchell
2002/0122985	A1	9/2002	Sato et al.				
2002/0123648	A1	9/2002	Hasegawa				
2002/0136948	A1	9/2002	Missling				
2002/0138958	A1	10/2002	Nonaka	CA	849697	8/1970	
2002/0150812	A1	10/2002	Kaz et al.	EP	0112923	6/1983	
2002/0163773	A1	11/2002	Niori et al.	EP	0134706	8/1984	
2002/0167784	A1	11/2002	Takatami et al.	EP	0146764	7/1985	
2002/0167785	A1	11/2002	Kamath	EP	0207167	12/1985	
2002/0181186	A1	12/2002	Bogaki	EP	0449145	3/1991	
2003/0030963	A1	2/2003	Tennent et al.	EP	0443825	8/1991	
2003/0113636	A1	6/2003	Sano et al.	EP	0449145	A2	10/1991
2003/0157314	A1	8/2003	Penneau et al.	EP	0617441	A1	9/1994

FOREIGN PATENT DOCUMENTS

EP	0680061	3/1995	JP	2000-114122	4/2000
EP	0660345	6/1995	JP	2000-200737	7/2000
EP	0917166	5/1999	JP	A-2000-260664	9/2000
EP	0989571	3/2000	JP	2000-340210	12/2000
EP	1009058 A1	6/2000	JP	2001-143973	5/2001
EP	1033729	9/2000	JP	2004/002105	1/2004
EP	1126536 A2	8/2001	JP	2004083337 A	3/2004
EP	1313158	5/2003	JP	2004296181	10/2004
EP	1464620	10/2004	KR	2005-49381	10/2004
EP	1477997 A1	11/2004	KR	2004-84743	5/2005
JP	5599714	7/1980	WO	9309552	5/1993
JP	594114	1/1984	WO	01/39305 A1	5/2001
JP	59105312	6/1984	WO	03016219	2/2003
JP	63268221	4/1988	WO	WO03/041097	5/2003
JP	A-63-151009	6/1988	WO	03/065391 A1	8/2003
JP	6321817	10/1988	WO	W003/102982	12/2003
JP	64001220	1/1989	WO	WO2005/008807	1/2005
JP	64001222	1/1989	WO	2006001847 A1	1/2006
JP	1246812	2/1989	WO	2006135495 A1	12/2006
JP	6446913	2/1989	WO	2007062126	5/2007
JP	6453524	3/1989	WO	2007062143	5/2007
JP	1222425	5/1989	WO	2008049037	4/2008
JP	1201908	8/1989	WO	2008049040	4/2008
JP	1304719	8/1989	WO	2008106533	9/2008
JP	01-222428	9/1989	WO	WO2008/106529	9/2008
JP	01241811 A	9/1989	WO	WO2008/127790	10/2008
JP	1298712	12/1989			
JP	256805	2/1990			
JP	256913	2/1990			
JP	265114	3/1990			
JP	266917	3/1990			
JP	278213	3/1990			
JP	211104	5/1990			
JP	2177525	7/1990			
JP	2248025	10/1990			
JP	2297915	12/1990			
JP	34510	1/1991			
JP	3038815	2/1991			
JP	313009	6/1991			
JP	3141629	6/1991			
JP	3250719	8/1991			
JP	4336409	11/1991			
JP	3289116	12/1991			
JP	465814	3/1992			
JP	474405	3/1992			
JP	499305	3/1992			
JP	04067610 A	3/1992			
JP	04088619	3/1992			
JP	4206914	7/1992			
JP	4206916	7/1992			
JP	513284	1/1993			
JP	05-129020	5/1993			
JP	555085	5/1993			
JP	5217803	8/1993			
JP	5258996	8/1993			
JP	4213651	10/1993			
JP	5299295	11/1993			
JP	627469	9/1994			
JP	08-096810	4/1996			
JP	09183604 A	7/1997			
JP	11186111	7/1997			
JP	09298129	11/1997			
JP	10244380	9/1998			
JP	10287412	10/1998			
JP	11-086875 *	3/1999			
JP	11-329903	11/1999			
JP	2000-058038	2/2000			

OTHER PUBLICATIONS

- U.S. Appl. No. 11/251,512, filed Oct. 14, 2005.
 Technical Notes. "The Charcoal Cloth", (1987).
 Cheng, et al.; "Preparation of Carbon Fibre Reinforced Aluminum Via Ultrasonic Liquid Infiltration Technique", *Materials Science and Technology*, 9, pp. 609-614 (Jul. 1993).
 Foster, et al.; "New Highly Conductive Inorganic Electrolytes", *J. Electrochem. Soc.*, pp. 2682-2686, (Nov. 1998).
 Dietz, Steven Dr. et al., "Optimization of Sugar Derived Carbons," TDA Research, Inc., Dec. 2005, pp. 1-33.
 TIMCAL Graphite & Carbon "TIMREX Graphite ENSACO Carbon Black: Carbon Additives for Polymer Compounds." TIMCAL, Ltd., CH-Bodio, 2004, pp. 1-24.
 C. J. Farahmandi, "A Comparison of Electrochemical Capacitors Using Organic and Aqueous Electrolytic Solutions for Electric Vehicle Applications." Proceedings of the Third International Seminar on Double Layer Capacitors and Similar Energy Storage Devices, Florida Educational Seminars, Boca Raton, Florida, Dec. 6, 1993.
 Fujii; "Kynol Novoloid Fibers", Informational Brochure, (1990).
 Farahmandi et.al.; "Optimization of Carbon Fibers Used in Electrochemical Capacitors for Electric Vehicle Applications"; Proceedings of the 36th Power Sources Conference, US Army Research Laboratory, Cherry Hill, NJ, pp. 23-26; Jun. 6, 1994.
 Farahmandi et.al.; "Bipolar Electrochemical Capacitors Based on Organic Electrolytes for Electric Vehicle Applications"; Proceedings of the Fourth International Seminar on Double Layer Capacitors and Similar Energy Storage Devices, Florida Educational Seminars, Boca Raton, Florida, Dec. 12, 1994.
 U.S. Appl. No. 11/016,411, filed Oct. 14, 2005.
 U.S. Appl. No. 11/679,783, filed Feb. 27, 2007.
 U.S. Appl. No. 12/392,069, filed Feb. 24, 2009.
 U.S. Appl. No. 12/372,705, filed Feb. 17, 2009.
 U.S. Appl. No. 12/445,294, filed Apr. 11, 2009.
 U.S. Appl. No. 12/445,295, filed Apr. 11, 2009.
 Patent Abstracts of Japan; Electric Double Layer Capacitor: Matsushita Electric Ind Co Ltd. Kiyooki, Ito, Publication No. 4162510, Aug. 6, 1992.

* cited by examiner

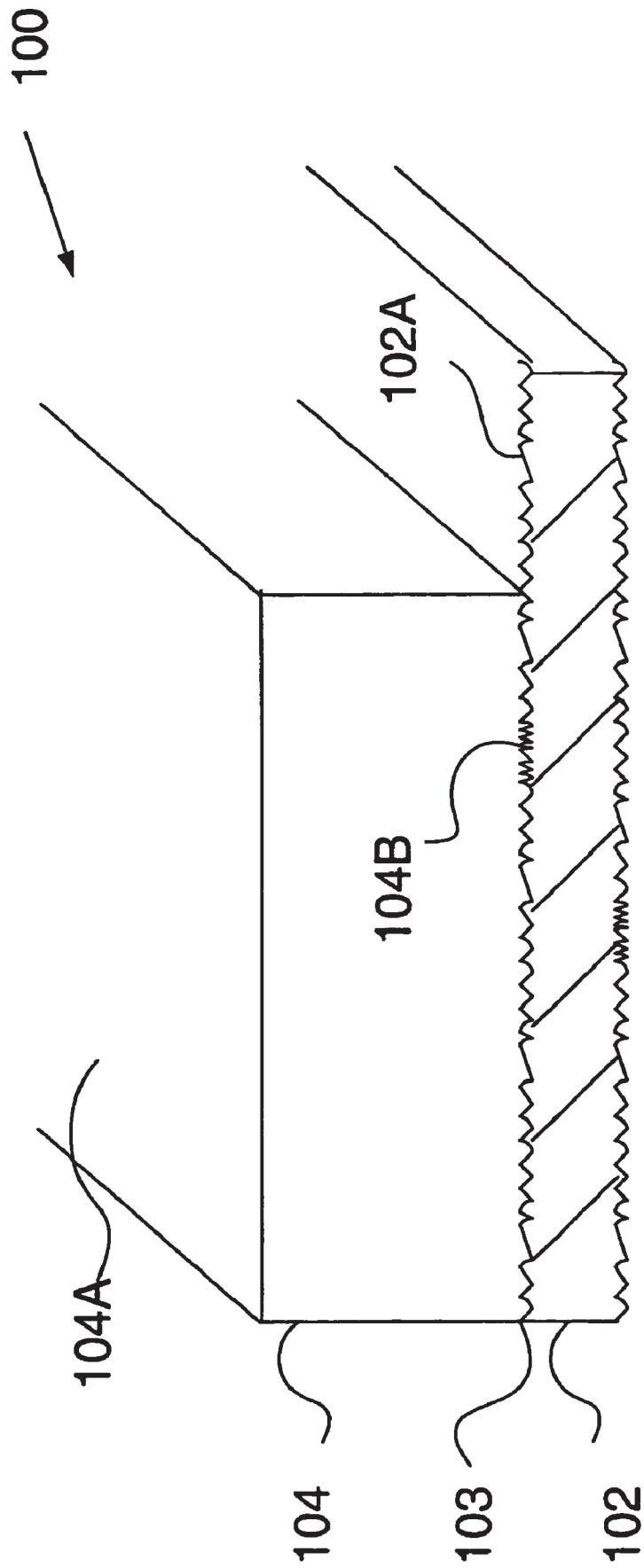


FIG. 1

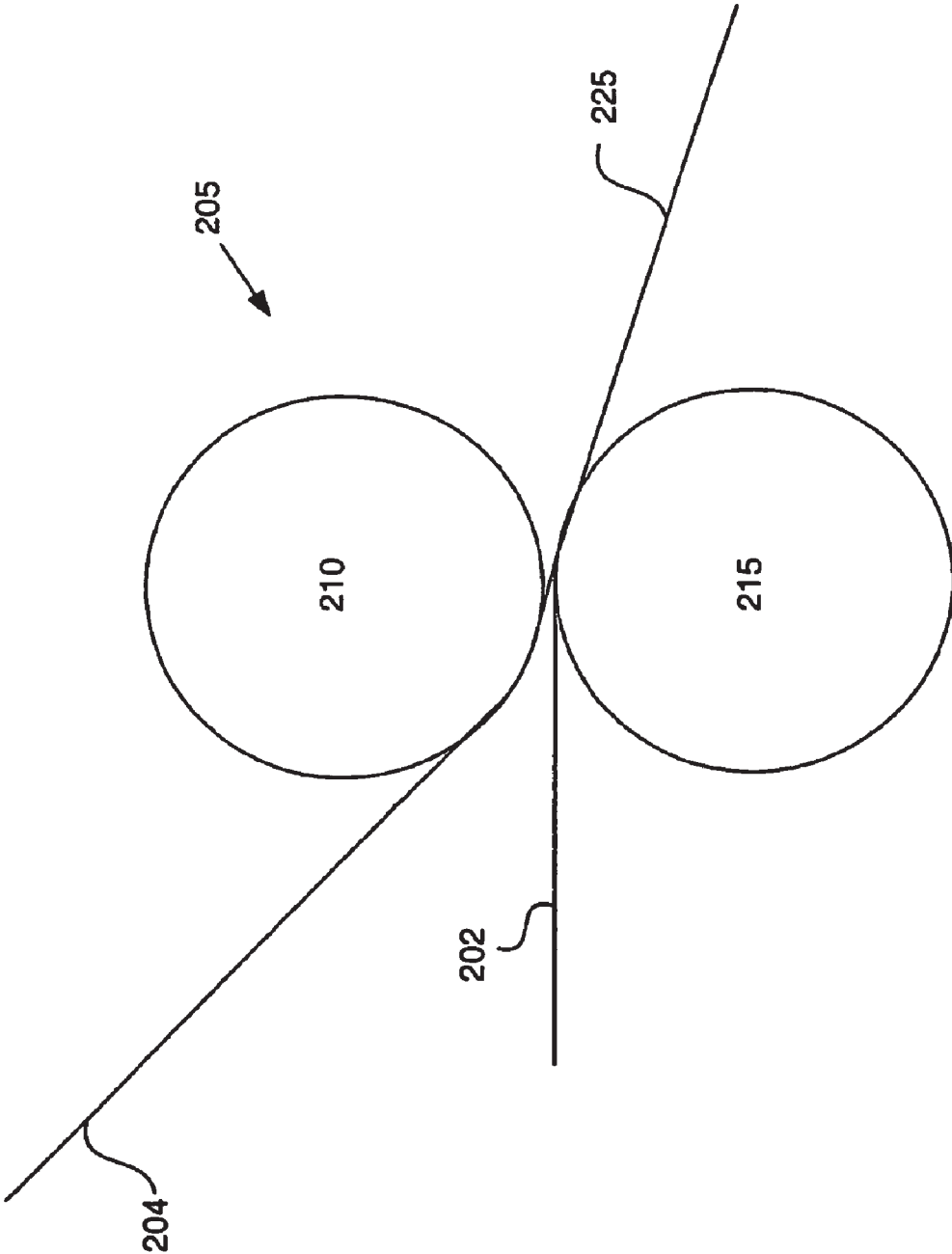


Fig. 2

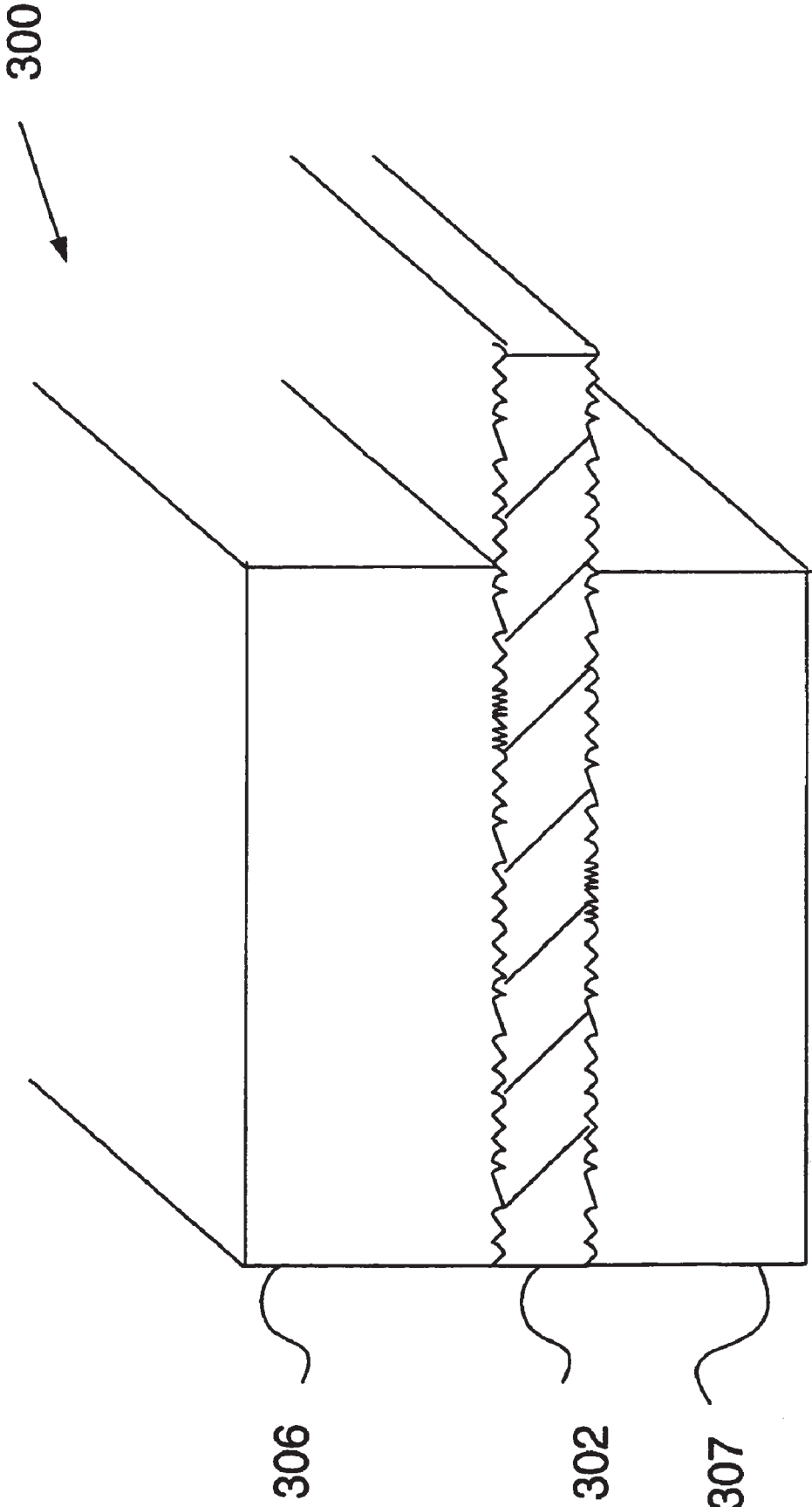


FIG. 3

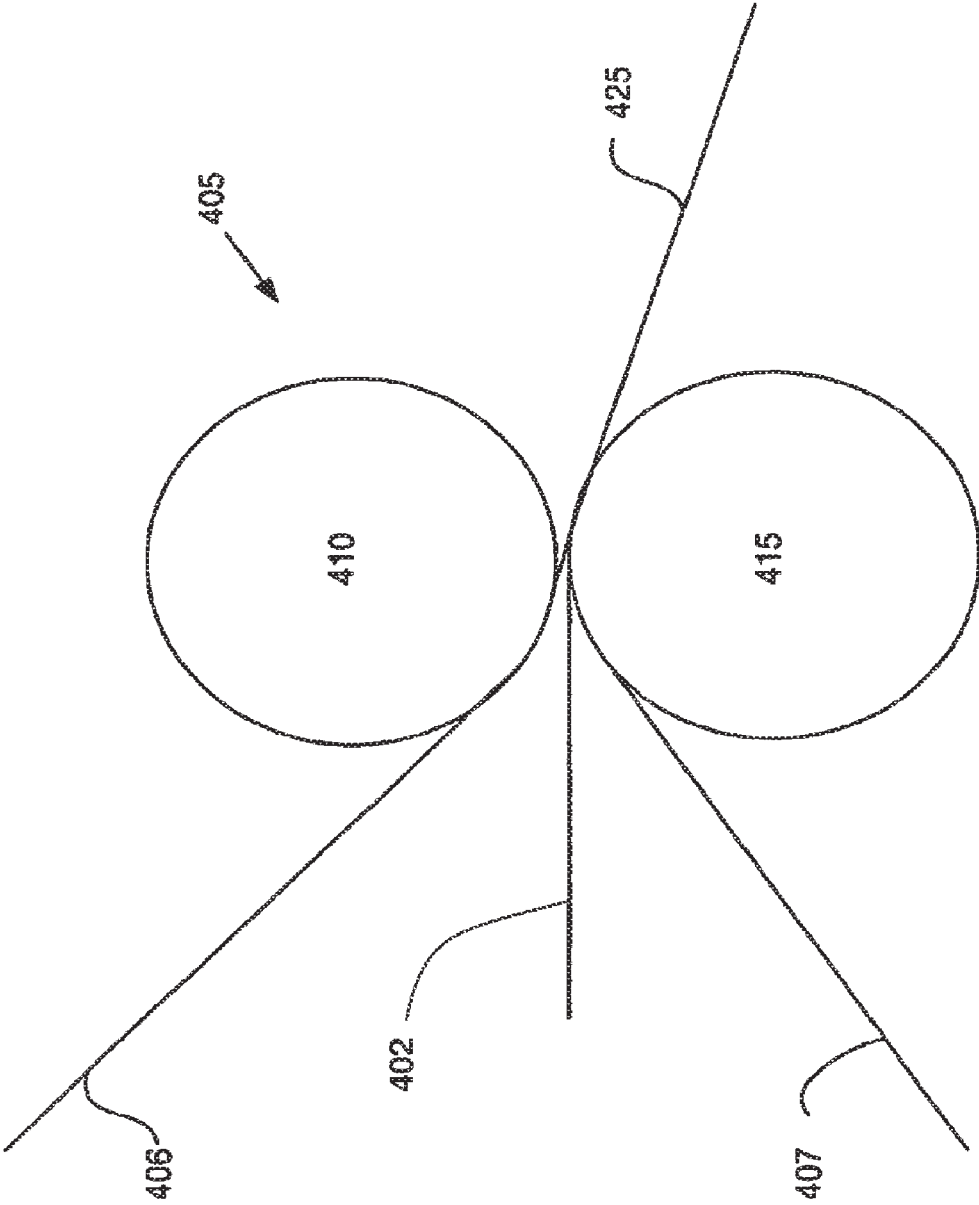


Fig. 4

COMPOSITE ELECTRODE AND METHOD FOR FABRICATING SAME

RELATED APPLICATIONS

Cross-Reference to Related Applications

The present invention is a divisional application of and claims the benefit of and priority from the prior-filled U.S. Nonprovisional patent application Ser. No. 10/916,936, filed Aug. 12, 2004 now U.S. Pat. No. 7,090,946, entitled "Composite Electrode and Method for Fabricating Same;" the subject matter of which hereby being specifically incorporated herein by reference for all that it discloses and teaches.

This Application is related to and claims priority from commonly assigned U.S. Provisional Application Ser. No. 60/557,576, filed 30 Mar. 2004, which is incorporated herein by reference; and

This Application is related to and claims priority from commonly assigned U.S. Provisional Application Ser. No. 60/578,722, filed 10 Jun. 2004, which is incorporated herein by reference; and

This Application is related to and claims priority from commonly assigned U.S. Provisional Application Ser. No. 60/546,093, filed 19 Feb. 2004, which is incorporated herein by reference.

FIELD OF THE INVENTION

The present invention relates generally to fabrication of electrodes, and, more specifically, to fabrication of composite electrodes for electrical energy storage devices, such as double layer capacitors.

BACKGROUND

Electrodes are widely used in many devices, for example, primary (non-rechargeable) battery cells, secondary battery cells, fuel cells, and capacitors. Electrodes are typically constructed using two or even more constituent materials. These electrodes are known as composite electrode. One application where composite electrodes are often used is construction of double layer capacitors, which are also known as electrochemical capacitors, supercapacitors, and ultracapacitors.

Double layer capacitors employ electrodes immersed in an electrolytic solution as their energy storage element. Typically, a porous separator soaked in the electrolyte ensures that the electrodes do not come in contact with each other. A double layer of charges is formed at the interface between the solid electrodes and the electrolyte. (Double layer capacitors owe their descriptive name to these layers.) When electric potential is applied between a pair of electrodes, ions that exist within the electrolyte are attracted to the surfaces of the electrodes, and migrate towards the electrodes. A layer of oppositely-charged ions is thus created and maintained near each electrode surface. The electrical energy is stored in the charge separation layers between the ionic layers and the charge layers at the corresponding electrode surfaces. The charge separation layers behave essentially as capacitors.

Additional energy can also be stored in the double layer capacitors because of orientation and alignment of molecules of the electrolytic solution under influence of the electric potential.

In comparison to conventional capacitors, double layer capacitors have high capacitance in relation to their volume and weight. There are two main reasons for this volumetric and weight efficiency. First, the width of the charge separation

layers is very small, on the order of nanometers. Second, the electrodes can be made from a porous material, having very large area per unit volume. Because capacitance is directly proportional to the electrode area, and inversely proportional to the width of the charge separation layer, the combined effect of the narrow charge separation layer and large surface area results in a capacitance that is very high in comparison to that of conventional capacitors. High capacitance of the double layer capacitors allows the capacitors to receive, store, and release large supplies of electrical energy.

Another important performance parameter of a capacitor is its internal resistance. Frequency response of a capacitor depends on the characteristic time constant of the capacitor, which is essentially a product of the capacitance and the internal resistance, or RC. To put it differently, internal resistance limits both charge and discharge rates of a capacitor, because the resistance limits the current that flows into or out of the capacitor. Maximizing the charge and discharge rates is important in many applications. In automotive applications, for example, a capacitor that is used as the energy storage element that powers a vehicle's engine has to be able to provide high instantaneous power during acceleration, and to receive bursts of power produced by regenerative braking. In internal combustion-powered vehicles, the capacitor periodically powers a vehicle's starter, also requiring high power in relation to the size of the capacitor.

The internal resistance also creates heat during both charge and discharge cycles. Heat causes mechanical stresses and speeds up various chemical reactions, thereby accelerating capacitor aging. It is therefore desirable to reduce internal resistance of capacitors. Moreover, the energy converted into heat is lost, decreasing the efficiency of the capacitor.

Active materials used for electrode construction—activated carbon, for example—usually have rather limited specific conductance. Thus, large contact area may be desired to minimize the contact resistance between the electrode and its terminal. The active material may also be too brittle or otherwise unsuitable for directly connecting to terminals. Additionally, the material may have relatively low tensile strength, needing mechanical support in some applications. For these reasons, electrodes incorporate current collectors.

A current collector is typically a sheet of conductive material on which the active electrode material is deposited, either directly or over one or more intermediate layers. Often, aluminum foil is used as the current collector material of a composite electrode. In one electrode fabrication process, a film that includes activated carbon powder (i.e., the active electrode material) is produced, and then attached to a thin aluminum foil using an adhesive. The use of the adhesive improves bonding of the active electrode material to the current collector. Unfortunately, this process also has a number of disadvantages.

First, the adhesive increases the cost of materials consumed in the process of electrode fabrication; some adhesives are quite expensive.

Second, two steps are added to the fabrication process. The adhesive must be applied onto the current collector foil, or onto the active electrode film. The adhesive must also be allowed to dry and cure. These extra steps increase the cost of the final product.

Third, the adhesive may deteriorate with time, contributing to an increase in the internal resistance of the electrode. In some double layer capacitors, for example, the electrolyte reacts chemically with the adhesive, causing the adhesive to weaken and the bond created by the adhesive to fail.

Fourth, adhesive use reduces the energy storage efficiency of the electrode, because the adhesive penetrates into the

pores of the active electrode material, decreasing the total surface active area of the electrode. Therefore, it would be preferable to reduce or eliminate the use of adhesives in compound electrodes.

A need thus exists for methods for fabricating compound electrodes without the use of adhesives at the interface between the active electrode material and the current collector. A further need exists for electrodes fabricated without the use of adhesives at this interface. Still another need exists for energy storage devices with electrodes without adhesive on the interfaces between the active layers and the current collectors.

SUMMARY

The present invention is directed to electrodes and processes for manufacturing electrodes that satisfy these needs. An exemplary embodiment of the invention herein disclosed is a composite electrode with a current collector and two film layers of active electrode material. The current collector is a conductive foil, for example, aluminum foil 20-50 microns in thickness. The film layers include active electrode material, such as activated carbon particles. The current conductor is sandwiched between the two films of the active electrode material, and the assembly of the current collector and the two films is processed in a high-pressure, high-temperature nip, for example, a calender. Processing in the high-pressure, high-temperature nip causes the film layers to pressure-bond and adhere to the current collector. No adhesive is used at the surfaces of the current collector and at the surfaces of the two films that are adjacent to the current collector. To promote the adhesion between the two films and the current collector further, the surfaces of the current collector can be subjected to an roughening and/or activation treatment, such as corona treatment, before processing in the high-pressure and high-temperature nip.

In one embodiment, an electrode comprises a current collector comprising a first surface and a second surface, and a first film of active electrode material, the first film comprising a third surface adjacent to the first surface of the current collector, the third surface of the first film being attached directly to the first surface of the current collector substantially without use of an adhesive layer between the first and the third surfaces. The current collector may comprise a conductive material. A volumetric porosity surface factor of the first material may be about 7.5×10^7 m²/g or greater. The first film of active electrode material may comprise carbon and binder. The first film of active electrode material may comprise dry fibrillized carbon and binder particles. A volumetric macroporosity of the first active electrode material may be between about 40 percent and about 80 percent. A majority of pores in the first active electrode material may range in size between about 1 and about 3 cubic micrometers. A first surface may comprise portions defining protrusions, wherein majority of the protrusions range in area between about 0.5 and about 5 square micrometers as measured at 0.5 micrometer elevation from average level of the first surface. A plurality of protrusions may penetrate pores at the third surface of the first film, causing the first surface of the current collector to adhere to the third surface of the first film. The first surface of the current collector may comprise portions defining pits, wherein majority of the pits range in surface area between about 0.5 and about 8 square micrometers, surface area of each pit being measured at average level of the first surface. The first surface of the current collector may be chemically pitted. The first surface of the current collector may be corona treated to promote adhesion between the first

surface of the current collector and the third surface of the first film. The first surface of the current collector may be treated with active plasma to promote adhesion between the first surface of the current collector and the third surface of the first film. The first surface of the current collector may be mechanically roughed to cause the first surface to be uneven.

In one embodiment, an energy storage device comprises a current collector comprising a first surface and a second surface, the first surface of the current collector being uneven; and a first film of active electrode material, the first film comprising a third surface adjacent to the first surface of the current collector, the third surface of the first film being attached directly to the first surface of the current collector; wherein the first and third surfaces are bonded directly to each other causing the first surface to adhere to the third surface. The first film of active electrode material may comprise dry fibrillized carbon and binder particles. The current collector and the first film of active electrode material may be configured to comprise a double-layer capacitor electrode. The electrode may comprise a double-layer capacitor electrode. The first film of active electrode material may be attached to the current collector as a self-supporting film. The device may further comprise a second film of active electrode material, the second film comprising a fourth surface adjacent to the second surface of the current collector, the fourth surface of the second film being attached directly to the second surface of the current collector; wherein the fourth surface and the second surface are bonded directly to each other causing the fourth surface to adhere to the second surface. The first film and second film of active electrode material may comprise dry fibrillized carbon and binder particles, and wherein the device comprises an energy storage device.

In one embodiment, a method of manufacturing an electrode comprises providing a current collector comprising a first surface and a second surface; providing a first film of active electrode material comprising a third surface; providing a second film of active electrode material comprising a fourth surface; roughing the first and second surfaces of the current collector; bringing the first surface in direct contact with the third surface; bringing the second surface in direct contact with the fourth surface; and pressing the first film, the current collector, and the second film together to cause the first surface to adhere to the third surface, and the second surface to adhere to the fourth surface. The step of pressing may comprise a step of processing the first film, the current collector, and the second film in a calender to cause the first surface of the current collector to adhere to the third surface of the first film, and to cause the second surface of the current collector to adhere to the fourth surface of the second film. The calender may apply a pressure of about 250 or more pounds per linear inch on the first film, the current collector, and the second film. The step of pressing may comprise a step of processing the first film, the current collector, and the second film between a first roller and a second roller of a calender, and further comprise a step of heating at least one of the first and second rollers to a temperature of between about 100 degrees Celsius and about 300 degrees Celsius. These and other features and aspects of the present invention will be better understood with reference to the following description, drawings, and appended claims.

BRIEF DESCRIPTION OF THE FIGURES

FIG. 1 is a high-level cross-sectional view of an electrode with a single film layer of active electrode material pressure-bonded to a current collector;

5

FIG. 2 illustrates selected steps of a process used for pressure-bonding the electrode of FIG. 1;

FIG. 3 is a high-level cross-sectional view of an electrode with two film layers of active electrode material pressure-bonded to a current collector; and

FIG. 4 illustrates selected steps of a process used for pressure-bonding the electrode of FIG. 3.

DETAILED DESCRIPTION

Reference will now be made in detail to several embodiments of the invention that are illustrated in the accompanying drawings. Wherever possible, same or similar reference numerals are used in the drawings and the description to refer to the same or like parts. The drawings are in a simplified form and not to precise scale. For purposes of convenience and clarity only, directional terms, such as top, bottom, left, right, up, down, over, above, below, beneath, rear, and front are used with respect to the accompanying drawings. These and similar directional terms should not be construed to limit the scope of the invention in any manner. In addition, the words binder and adhesive are used interchangeably, unless the difference is noted or made otherwise clear from the context.

Referring more particularly to the drawings, FIG. 1 is a simplified view of a cross-section of a composite electrode 100 in accordance with the present invention. The electrode 100 includes a current collector 102, and a film of active electrode material 104, which is disposed on the current collector 102. In the illustrated embodiment, the current collector 102 is a sheet of aluminum foil approximately 40 microns thick. In alternative embodiments in accordance with the present invention, the thickness of the foil is between about 20 and about 100 microns; in other, more specific embodiments, the thickness of the aluminum foil is between about 30 and about 50 microns. Moreover, other conductive materials can be used for the current collector 102, including, for example, silver, copper, gold, platinum, and palladium, as well as various alloys of these metals.

Note that the upper surface 102A of the current collector 102 is uneven and rough. In the illustrated embodiment, the unevenness of the surface 102A is a result of mechanical roughing. In alternative embodiments, the upper surface of the current collector is roughed and made uneven using other processes, for example, chemical pitting. In addition, the upper surface can be subjected to a surface activation treatment using, for example, corona discharge, active plasma, ultraviolet, laser, or high frequency treatment methods known to a person skilled in the appropriate art. The activation treatment may be used to promote adhesion between the upper surface 102A of the current collector 102 and the film 104. Indeed, in some electrode embodiments in accordance with the invention, the surface activation treatment also performs the function of roughing the surface 102A, or is applied instead of roughing the surface 102A.

While the extent of unevenness of the upper surface of the current collector varies greatly from one embodiment to another, it has been identified that the upper surface of the current collector of certain embodiments includes protrusions, with majority of the protrusions having area between about 0.5 and 5 square micrometers, as measured at an elevation of about 1 micrometer from the average level of the upper surface. It has also been identified that the upper surface of the current collector of certain embodiments includes pits, with majority of the pits having area between about 0.5 and 8 square micrometers in the plane of the upper surface.

The film of active electrode material 104 has an upper surface area 104A, and a lower surface area 104B at an

6

interface 103 between the film 104 and the current collector 102. By "active electrode material" we mean a material that enhances the function of the electrode 100 beyond simply providing a contact or reactive area approximately the size of the upper surface 104A. In a double layer capacitor electrode, for example, the film 104 includes particles with high porosity, so that the surface area of the electrode 100 exposed to an electrolytic solution in which the electrode 100 is immersed is increased well beyond the area of the upper surface 104A. The effective surface area of the electrode 100 becomes essentially a function of the volume of the film 104, rather than the area of the upper surface 104A. For simplicity, we define a volumetric porosity surface factor (VPSF) as the ratio between (1) the surface area of the electrode 100 exposed to the electrolytic solution (not including the surface area 104A), and (2) the volume of the film 104. For example, if the area of the surface 104A is equal to A_s , the total area of the film 104 exposed to the electrolyte is $(A_s + A_v)$, and the volume of the film 104 is V , then the volumetric porosity surface factor VPSF of the material of the film 104 is calculated according to the following formula:

$$VPSF = \frac{A_v}{V}$$

In the embodiment of FIG. 1, the material of the film 104 includes activated carbon particles, conductive carbon particles, and binder. The material has a volumetric porosity surface factor greater than about $7.5 \times 10^7 \text{ m}^{-1}$. This means that an electrode with a film of active electrode material having $VPSF = 7.5 \times 10^7 \text{ m}^{-1}$, thickness of 150 microns, and surface area A_s of 10-by-10 centimeters will have an effective surface area of $A_{\text{eff}} = A_s + A_v = (0.1 \times 0.1) \times (1 + 150 \times 10^{-6} \times 7.5 \times 10^7) \text{ m}^2 = 0.01 \times (1 + 11,250) \text{ m}^2 = 112.51 \text{ m}^2$, well in excess of the 100 cm^2 provided by the 10 cm-by-10 cm area A_s .

Porosity is another measure of the volumetric efficiency of the film 104 in creating surface area exposed to an electrolyte or to another reactant. In the present context, porosity means macroporosity, i.e., porosity on a large scale defined by the interstitial volume between particles. In some embodiments in accordance with the present invention, the active electrode material has porosity of between about 40 and about 80 percent. In certain more specific embodiments, the porosity of the active electrode material is between about 50 and about 70 percent, and the median pore size varies between about 1 and about 3 cubic micrometers.

The film 104 can be manufactured using both known and novel processes. One way to manufacture a film of active electrode material is using an extrusion process, which relies on fibrillation properties of certain polymers. The polymers used in electrodes in accordance with the present invention include polytetrafluoroethylene (PTFE or Teflon®), polypropylene, polyethylene, co-polymers, and various polymer blends. The polymers act as a matrix for the active electrode material within the film.

To form the film, powders of the polymer, the active electrode material, and possibly other powder materials are dry-blended. In one exemplary embodiment, the powders and proportions used are as follows: 85-90 percent by weight of activated carbon (the active electrode material), 5-8 percent by weight of PTFE, and 2-10 percent by weight of conductive carbon (graphite, acting as a promoter of electrical conduction). Suitable activated carbon powders are available from a variety of sources, including Nuchar® powders sold by Westvaco Corporation of Stamford, Conn. Another exemplary

embodiment contains 85-93 percent of activated carbon, 3-8 percent of PTFE, and 2-10 percent of conductive carbon. Yet another exemplary embodiment contains activated carbon and PTFE, and does not use conductive carbon.

The resulting compound is introduced, together with a solvent, into an extruder to fibrillate the blended material, creating a dough-like film. In one embodiment, the proportion of the powder compound to the solvent is about 80/20 by weight. The dough-like film is calendered one or more times to produce the film of active electrode material having desired thickness and density. Finally, the dough-like film is baked or otherwise dried to reduce the residual solvent within the film to an acceptable level, on the order of parts per million.

Another technique for manufacturing the film of active electrode material is disclosed in a copending commonly-assigned U.S. patent application Ser. No. 10/817,701, entitled "Dry Particle Based Electro-Chemical Device and Methods of Making Same," filed on Apr. 2, 2004, by Porter Mitchell et al., which is incorporated herein by reference. According to this process, dry particles of active electrode material (activated carbon) are blended or otherwise mixed together with a binder particles (polymer such as PTFE) and a conduction promoter particles (conductive carbon) to form a dry powder material. The dry powder material is dry fibrillized using a non-lubricated high-shear technique, which in one embodiment utilizes a jet mill as is known to those skilled in the art. The shear forces that arise during the dry fibrillizing process physically stretch the polymer particles, causing the polymer to form a network of fibers that bind the polymer to the conduction promoter and to the active particles, e.g., to the graphite and activated carbon particles. The dry fibrillized material is then fed into one or more high-pressure nips, such as roll mills, calendars, belt-presses, or flat plate presses to form a dry self-supporting electrode film. Because no liquid or solvent is used in this novel process, the electrode film is substantially free of impurities, which can act to degrade lifetime and performance of the electrode.

FIG. 2 illustrates bonding of a film 204 of active electrode material to a sheet of aluminum foil 202 in a calender 205. The film 204 and the aluminum foil 202 are fed between rollers 210 and 215 of the calender 205. Note that the film 204 is applied to the side of the foil 202 that has been roughed and activated, as has already been described. In the illustrated embodiment, the calender 205 is gap-controlled, meaning that the gap between the rollers 210 and 215 can be set to a predetermined distance. The calender compresses the foil 202 and the film 204, creating a pressure bond between the two layers and causing the two layers to adhere to each other, resulting in a composite sheet 225. Here, the thickness of the film 204 is between about 160 and about 180 microns, and the thickness of the foil 202 is about 40 microns. The gap of the calender 205 is set to between about 110 to about 120 microns. Because the aluminum foil 202 is substantially incompressible, the calender compresses the film 204 by about 50 percent. Coming out of the calender, the film 204 expands, so that the more permanent reduction in its thickness is between about 5 and about 20 percent.

Note that adhesive is not applied to the surfaces of the foil 202 and the film 204 adjacent to each other, so that the interface between the two surfaces is substantially free of adhesives and the impurities they may comprise. In some embodiments in accordance with the present invention, adhesion between these components results mostly from the pressure bond created by the calender, the unevenness of the foil 202, and activation treatment of the foil 202. Specifically, the protrusions on the uneven surface of the foil 202 penetrate the pores of the film 204, interlocking with the film's porous

structure and enhancing adhesion between the film 204 and the foil 202. Similarly, protrusions on the surface of the film 204 can penetrate into the pits on the surface of the foil 204, also enhancing the adhesion.

Other processes in accordance with the present invention employ pressure-controlled calendars. The pressure applied to the combination of the foil 202 and the film 204 is generally greater than about 250 pounds per linear inch (PLI). More specifically, the pressure applied is between about 500 and 2,000 PLI. Still more specifically, the pressure is between about 650 and 900 PLI. In one embodiment, the pressure applied is about 750 PLI.

To improve the pressure bond created between the foil 202 and the film 204, one or both of the rollers 210 and 215 are heated. In one process in accordance with the present invention, the roller 215 is heated to about 100 degrees Celsius. In another process in accordance with the invention, the roller 215 is heated to a temperature between about 100 and 300 degrees Celsius.

The speed with which the foil 202 and the film 204 move through the calender 205 is also controlled. In one process in accordance with the present invention, the calender rollers are about 4 inches in diameter, and make about 1 revolution per minute. In another process, the rollers turn to cause the composite sheet 225 to be produced at the output of the calender 225 at the rate of about 3 meters per minute.

The composite sheet 225 is then cut or otherwise shaped into composite electrodes in accordance with the present invention, such as the electrode 100 of FIG. 1, and terminals are attached to the current collectors of the electrodes.

FIG. 3 illustrates an electrode 300 with a current collector 302 sandwiched between a first film of active electrode material 306 and a second film of active electrode material 307. These films are similar in construction to the films 104 and 204, shown in FIGS. 1 and 2, respectively. Again, adhesive is not used to bond the films 306 and 307 to the current collector 302. Instead, both surfaces of the current collector 302 are roughed, subjected to an activation treatment, and then pressure-bonded to the films 306 and 307 using a high-pressure and high-temperature nip, such as a calender.

FIG. 4 illustrates the process of pressure-bonding film sheets of active electrode material 406 and 407 onto opposite sides of an aluminum foil sheet 402. The thickness of each film sheet 406 and 407 is about 180 microns, while the current collector 402 has a thickness of about 30 microns and is chemically pitted on both sides to a depth not exceeding about 10 microns. In certain embodiments in accordance with the invention, the thickness of the film sheets varies between about 80 and 350 microns. After the pressure-bonding process, the thickness of the films 406 and 407 is reduced by between about 5 and about 20 percent. In some processes in accordance with the present invention, the thickness of the films 406 and 407 is reduced by between about 8 and about 15 percent. The pressure-bonding process employs a calender 405 and results in a composite layer 425, which can be cut or otherwise shaped into electrodes, such as the electrode 300 of FIG. 3.

The calender 405 includes rollers 410 and 415. Both rollers are heated to enhance the pressure-bonding of the films 406 and 407 to the current collector 402. In the calender 405, the feed rates of the sheets 402, 406, and 407 range up to about 3 meters per minute, although a person skilled in the art would recognize that higher feed rates are possible, depending on the materials used, temperatures of the rollers 410 and 415, thicknesses of the film sheets 406 and 407, pressure applied by the calender, required adhesion strength, and a host of other factors.

Composite electrodes in accordance with the present invention can thus be used in many different applications, including double layer capacitors.

This document describes the inventive composite electrodes and processes used in the course of their fabrication in considerable detail for illustration purposes only. Neither the specific embodiments of the invention as a whole, nor those of its features limit the general principles underlying the invention. In particular, the invention is not limited to the specific materials used for fabricating the electrodes; and pressure-bonding of the inventive electrodes is not limited to the use of calenders, but includes various pressure devices. The invention is also not limited to uses in double layer capacitors, but extends to other electrode applications, for example, batteries, and fuels cells. The specific features described herein may be used in some embodiments, but not in others, without departure from the spirit and scope of the invention as set forth. Many additional modifications are intended in the foregoing disclosure, and it will be appreciated by those of ordinary skill in the art that in some instances some features of the invention will be employed in the absence of a corresponding use of other features. The illustrative examples therefore do not define the metes and bounds of the invention and the legal protection afforded the invention, which function is served by the claims and their legal equivalents.

We claim:

1. An energy storage device comprising:
a current collector comprising a first surface and a second surface, the first surface of the current collector being uneven; and
a first film of active electrode material, the first film comprising dry carbon and binder particles, the first film comprising a third surface adjacent to the first surface of the current collector, the third surface of the first film being attached directly to the first surface of the current collector;
wherein the first and third surfaces are bonded directly to each other causing the first surface to adhere to the third surface.
2. The device in accordance with claim 1, wherein the first film of active electrode material comprises dry fibrillized carbon and binder particles.
3. The device in accordance with claim 2, wherein the current collector and the first film of active electrode material are configured to comprise a double-layer capacitor electrode.
4. The device in accordance with claim 2, wherein the first film of active electrode material is attached to the current collector as a self-supporting film.
5. The device in accordance with claim 1, wherein the electrode comprises a double-layer capacitor electrode.
6. The device in accordance with claim 1, further comprising a second film of active electrode material, the second film comprising a fourth surface adjacent to the second surface of the current collector, the fourth surface of the second film being attached directly to the second surface of the current collector; wherein the fourth surface and the second surface are bonded directly to each other causing the fourth surface to adhere to the second surface.
7. The device in accordance with claim 6, wherein the first film and second film of active electrode material comprises dry fibrillized carbon and binder particles, and wherein the device comprises an energy storage device.

8. A method of manufacturing an electrode, comprising:
providing a current collector comprising a first surface and a second surface;
roughing the first and second surfaces of the current collector;
providing a first film of active electrode material comprising a third surface;
providing a second film of active electrode material comprising a fourth surface;
bringing the first surface in direct contact with the third surface;
bringing the second surface in direct contact with the fourth surface;
pressing the first film, the current collector, and the second film together to cause the first surface to adhere to the third surface, and the second surface to adhere to the fourth surface; and
wherein the film comprises a dry fibrillized blend of carbon and binder particles.

9. The method of manufacturing an electrode in accordance with claim 8, wherein said step of pressing comprises a step of processing the first film, the current collector, and the second film in a calender to cause the first surface of the current collector to adhere to the third surface of the first film, and to cause the second surface of the current collector to adhere to the fourth surface of the second film.

10. The method of manufacturing an electrode in accordance with claim 9, wherein the calender applies a pressure of about 250 or more pounds per linear inch on the first film, the current collector, and the second film.

11. The method of manufacturing an electrode in accordance with claim 9, wherein the step of pressing comprises a step of processing the first film, the current collector, and the second film between a first roller and a second roller of a calender, further comprising a step of heating at least one of the first and second rollers to a temperature of between about 100 degrees Celsius and about 300 degree Celsius.

12. A method of manufacturing an electrode, comprising:
providing a current collector comprising a first surface and a second surface;
roughing the first and second surfaces of the current collector;
providing a first film of active electrode material comprising a third surface;
providing a second film of active electrode material comprising a fourth surface;
bringing the first surface in direct contact with the third surface;
bringing the second surface in direct contact with the fourth surface;
pressing the first film, the current collector, and the second film together to cause the first surface to adhere to the third surface, and the second surface to adhere to the fourth surface; and
wherein said step of pressing comprises a step of processing the first film, the current collector, and the second film in a calender to cause the first surface of the current collector to adhere to the third surface of the first film, and to cause the second surface of the current collector to adhere to the fourth surface of the second film; and
wherein the film comprises a dry fibrillized blend of carbon and binder particles.