



US006986776B2

(12) **United States Patent**  
**Craig**

(10) **Patent No.:** **US 6,986,776 B2**  
(45) **Date of Patent:** **Jan. 17, 2006**

(54) **SUTURING APPARATUS, METHOD AND SYSTEM**

(76) Inventor: **H. Randall Craig**, 3200 N. Dobson Rd. #F7, Chandler, AZ (US) 85224

(\* ) Notice: Subject to any disclaimer, the term of this patent is extended or adjusted under 35 U.S.C. 154(b) by 157 days.

(21) Appl. No.: **10/064,235**

(22) Filed: **Jun. 24, 2002**

(65) **Prior Publication Data**

US 2003/0009179 A1 Jan. 9, 2003

**Related U.S. Application Data**

(60) Provisional application No. 60/302,338, filed on Jun. 28, 2001.

(51) **Int. Cl.**  
**A61B 17/04** (2006.01)

(52) **U.S. Cl.** ..... **606/148**; 606/139; 606/222; 606/223

(58) **Field of Classification Search** ..... 606/148, 606/139, 144, 222, 223; 49/419; 81/3.07-34.9; 30/130; 289/17; 112/169, 222  
See application file for complete search history.

(56) **References Cited**

**U.S. PATENT DOCUMENTS**

102,348 A *	4/1870	Willard	99/419
629,003 A *	7/1899	Cox	294/10
1,534,202 A *	4/1925	Boley et al.	30/150
2,181,081 A *	11/1939	Ganaway	356/247
2,498,155 A *	2/1950	De Jonge	42/111
2,634,674 A *	4/1953	Irwin	99/419
3,063,360 A *	11/1962	Fitch et al.	99/419
3,758,143 A *	9/1973	Godlewski	294/8

3,827,685 A *	8/1974	Wennes	269/229
3,858,933 A *	1/1975	Koehring	297/463.1
3,964,173 A *	6/1976	Atchisson	42/136
4,460,147 A *	7/1984	Macbain	248/542
4,817,514 A *	4/1989	Hitch et al.	99/419
4,874,156 A *	10/1989	Goldzweig	269/158
4,919,929 A *	4/1990	Beck	424/157.1
5,018,530 A	5/1991	Rank	
5,330,503 A	7/1994	Yoon	
5,356,424 A	10/1994	Buzerak et al.	
5,368,595 A	11/1994	Lewis	
5,405,376 A	4/1995	Mulier	
5,423,836 A	6/1995	Brown	
5,499,990 A	3/1996	Schulken et al.	
5,545,148 A	8/1996	Wurster	
5,562,685 A	10/1996	Mollenauer	
5,582,616 A	12/1996	Bolduc et al.	
5,636,984 A *	6/1997	Gomes	433/30
5,662,683 A	9/1997	Kay	

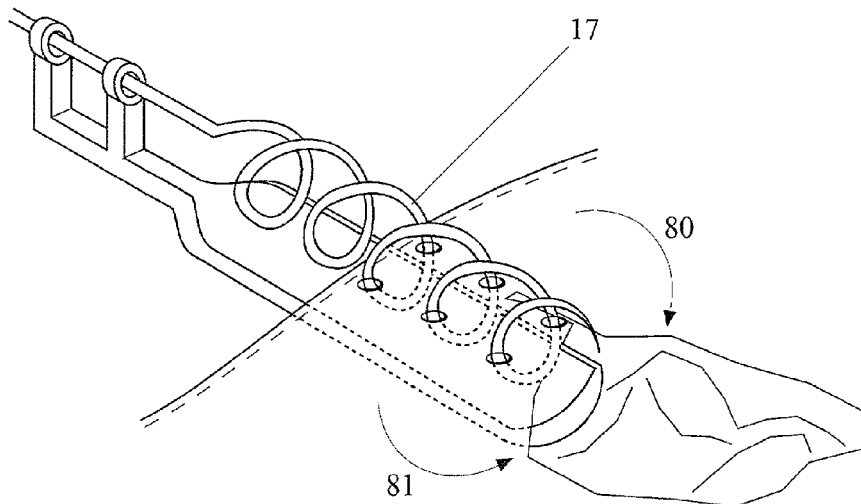
(Continued)

*Primary Examiner*—Anhtuan T. Nguyen  
*Assistant Examiner*—Michael G. Mendoza  
(74) *Attorney, Agent, or Firm*—Oppedahl & Larson LLP

(57) **ABSTRACT**

An apparatus used with a helical suture device has a first end and a second end. The first end includes a spatulate member having a length along a first axis. The second end includes a guide shaped to receive a cylindrical axle of the helical suture device for rotation on a second axis. The guide is shaped to constrain the first axis in fixed position relative to the second axis, the first and second axes each lying within a plane. The spatulate member extends, typically symmetrically, in a first direction and a second direction from the first axis, the first direction and second direction being on opposite sides of the plane. The apparatus lies between a first tissue that is to be sutured, and a second tissue that is desired not to be sutured.

**18 Claims, 5 Drawing Sheets**



# US 6,986,776 B2

Page 2

---

U.S. PATENT DOCUMENTS						
			6,086,601 A *	7/2000	Yoon .....	606/148
5,695,462 A	12/1997	Sutco et al.	6,131,361 A *	10/2000	Murphy .....	52/712
5,709,692 A	1/1998	Mollenauer et al.	6,626,917 B1	9/2003	Craig	
5,797,928 A *	8/1998	Kogasaka .....	6,663,633 B1 *	12/2003	Pierson, III .....	606/72
5,820,631 A	10/1998	Nobles	2001/0045753 A1 *	11/2001	Lewis .....	294/3
5,947,983 A	9/1999	Solar et al.				

\* cited by examiner

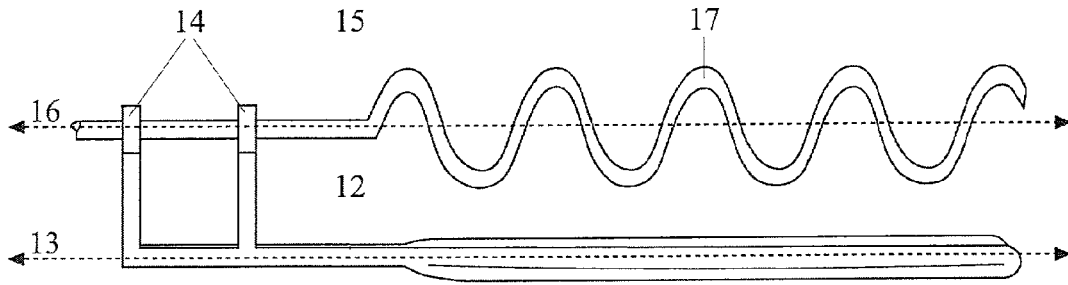


FIG. 1

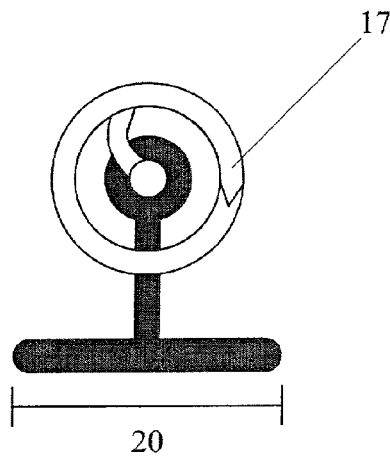


FIG. 2

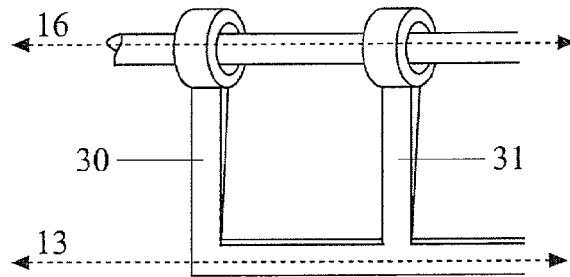


FIG. 3

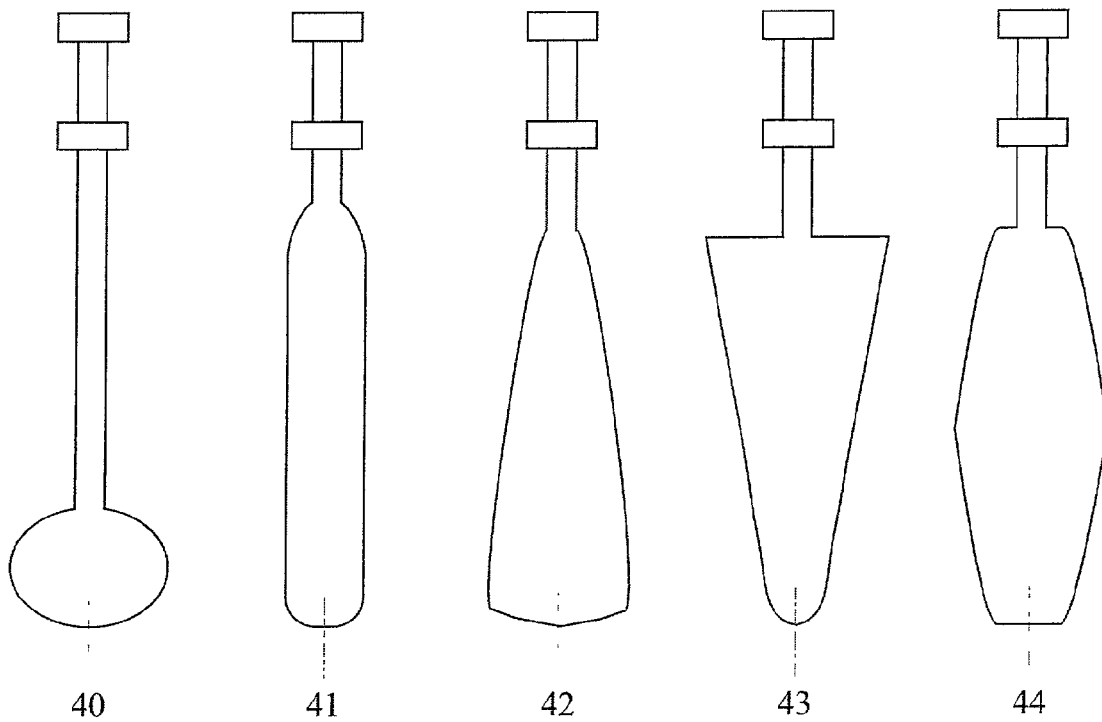
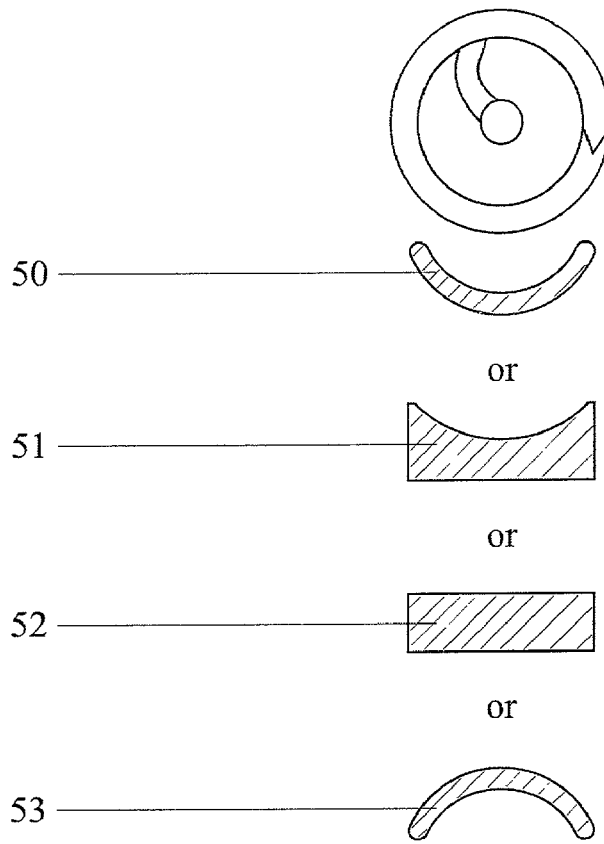
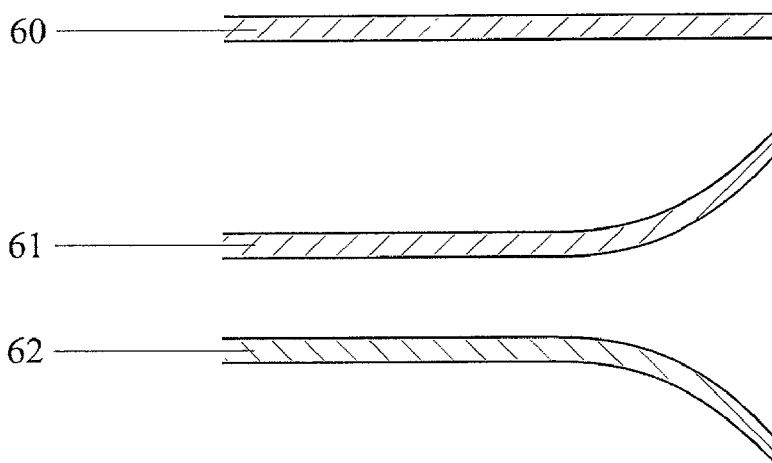


FIG. 4



**FIG. 5**



**FIG. 6**

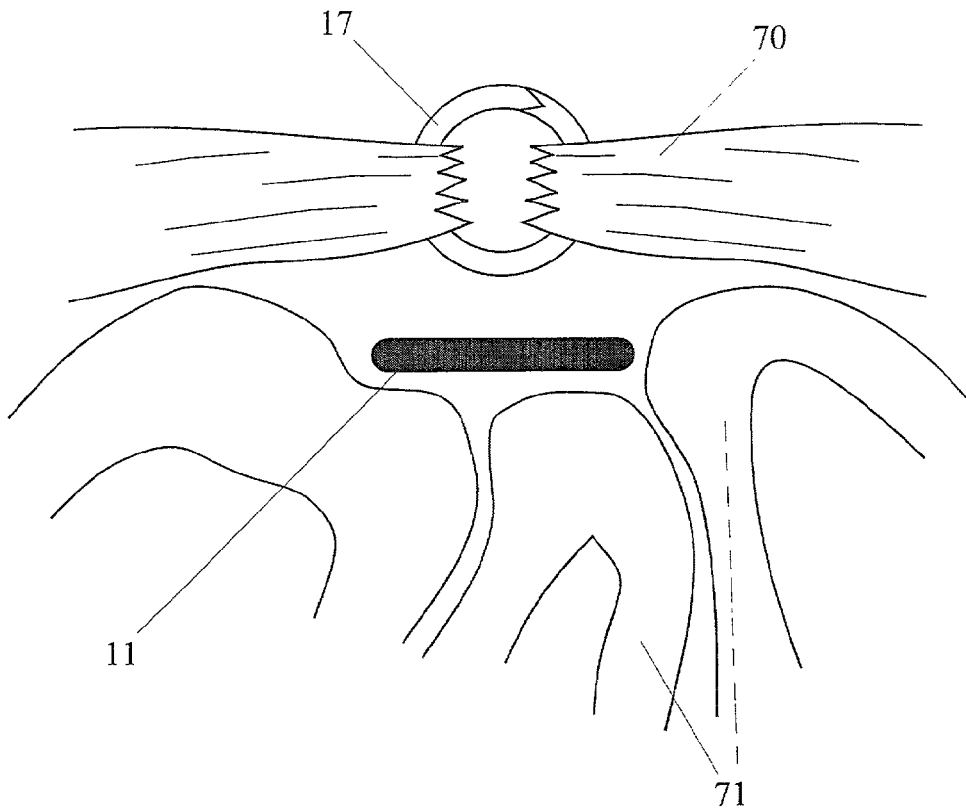


FIG. 7

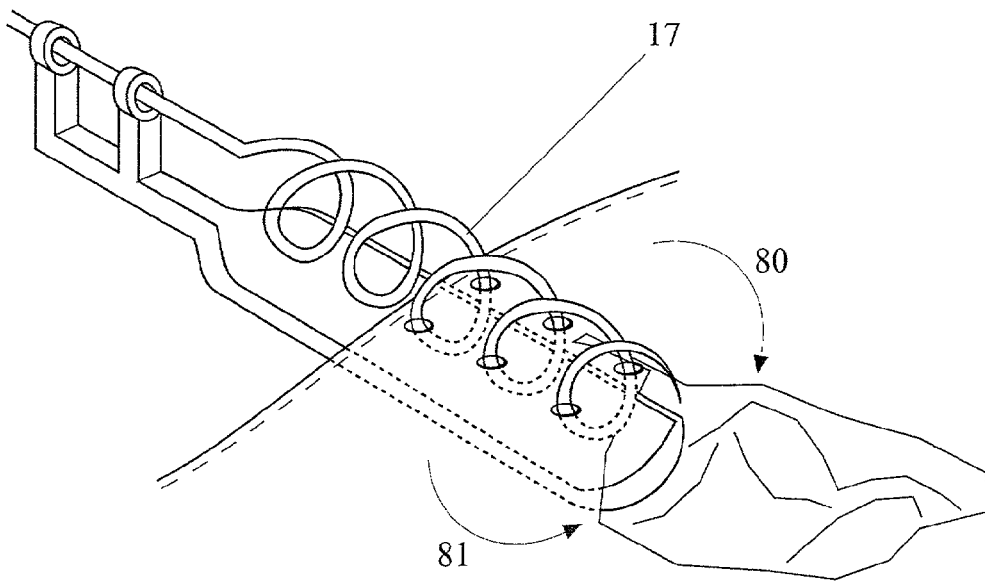


FIG. 8

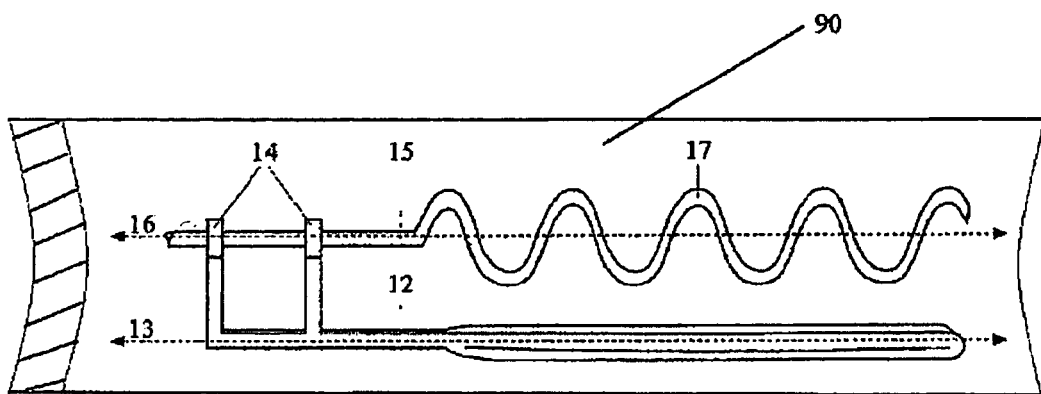


FIG. 9

1

**SUTURING APPARATUS, METHOD AND SYSTEM****CROSS REFERENCE TO RELATED APPLICATIONS**

This application claims priority from U.S. application Ser. No. 60/302,338 filed Jun. 28, 2001, which application is incorporated herein by reference.

**BACKGROUND OF THE INVENTION**

The invention relates generally to suturing and relates more particularly to suturing in which it is desired to suture a layer of tissue without puncturing or damaging another layer of tissue.

It is well known to suture tissue, for example to close wounds and incisions in living tissue. Some historical background of suturing is found in PCT appl. no. PCT/US00/29508, filed Oct. 26, 2000, designating the United States, published as PCT publication no. WO 01/30245, published May 3, 2001 and assigned to the same assignee as the assignee of the present application, incorporated herein by reference.

One goal in suturing is to bring two tissue edges together by means of the sutures. It is also typically desired that the sutures not puncture a deeper tissue. It is also typically desired that the points at which the sutures puncture the tissue be in a particular relationship with the tissue edges. For example, it is typically desired that the points not be too close to the edges. Competing with the latter goal is the previously mentioned goal that the suture not puncture the deeper tissue.

It is also known to perform a series of sutures with the assistance of a helical suture device such as that set forth in the above-mentioned PCT application designating the United States. With such a helical suture device, it is necessary to draw some balance between large and small diameters. If the diameter is too small, the punctures may be undesirably close to the edges of the tissue being sutured. If the diameter is too large, there is the concern that the suture device may undesirably pierce the tissue below would thus be extremely desirable if a way could be devised in which a helical suture device could be employed to suture tissue, while minimizing the risk that the device may puncture tissue below.

**SUMMARY OF INVENTION**

An apparatus used with a helical suture device has a first end and a second end. The first end includes a spatulate member having a length along a first axis. The second end includes a guide shaped to receive a cylindrical axle of the helical suture device for rotation on a second axis. The guide is shaped to constrain the first axis in fixed position relative to the second axis, the first and second axes each lying within a plane. The spatulate member extends, typically symmetrically, in a first direction and a second direction from the first axis, the first direction and second direction being on opposite sides of the plane. The apparatus lies between a first tissue that is to be sutured, and a second tissue that is desired not to be sutured.

**BRIEF DESCRIPTION OF DRAWINGS**

The invention is described with respect to a drawing in several figures, of which:

2

FIG. 1 is a side view of an embodiment of a tissue shield and helical suture instrument.

FIG. 2 is a front view of an embodiment of a spatulate member of a tissue shield and a helical suture instrument.

FIG. 3 is an embodiment of a guide from a tissue shield.

FIG. 4 is a top view of several embodiments of spatulate members.

FIG. 5 is a front view of several embodiments of spatulate members.

FIG. 6 is a side view of several embodiments of spatulate members.

FIG. 7 is an illustration of the tissue shield and helical suturing instrument may be placed during use.

FIG. 8 is an illustration of a helical suturing instrument in use.

FIG. 9 is an illustration of the helical suture instrument and apparatus contained in a wrapper.

Where possible, like reference designations have been used among the figures to designate like features.

**DETAILED DESCRIPTION**

The present invention, a tissue shield, in combination with a helical suturing instrument, results in the placement of a continuous suture with substantially increased efficiency, and with a minimized risk of inadvertently puncturing or damaging underlying or surrounding tissue.

A first embodiment of the invention is the tissue shield itself, which comprises an apparatus having a first end **11** and a second end **12**, as illustrated in FIG. 1. The first end comprises a spatulate member having a length, an embodiment of which may be greater than one inch and less than seven inches, along a first axis **13**. As illustrated in FIG. 2, the spatulate member extends in a first direction and a second direction from the first axis **13**, the first direction and second direction are on opposite sides of the plane. The extensions in the first and second direction from the first axis define a width **20**. In an exemplary embodiment, the width defined by the extensions is less than one third of the length. It is not required, but the spatulate member may be symmetric relative to the first axis.

The second end comprises a guide **14** shaped to receive a cylindrical axle **15** for rotation on a second axis **16**. A possible configuration for the guide is illustrated in FIG. 3. Here the guide comprises two members **30** and **31**. Each member extends toward the second axis **16** from the first axis **13**. Each of the members has a hole shaped to receive the cylindrical axle as defined below. The guide is shaped to constrain the first axis in fixed position relative and substantially parallel to the second axis, the first and second axes each lying within a plane. For this embodiment of the invention, the terms "substantially parallel" mean that the axes may be constrained to be within 15 degrees of parallel. Alternatively, the confinement angle could be 10 degrees or 5 degrees. An exemplary embodiment of this configuration is where the first and second axes are greater than one-quarter inch apart.

As shown in FIG. 1, the cylindrical axle **15** is a straight portion of a tubular member of a helical suture instrument **17** such as the one disclosed in PCT appl. no. PCT/US00/29508 published as PCT publication no. WO 01/30245. The cylindrical axle **15** is inserted into the guide for support purposes during suturing and to help prevent the tissue shield from separating from the helical suture needle. Stated differently, the guide keeps the shield positioned reliably relative to the helical suture instrument.



3

Depending on the type and location of tissue requiring suturing, one may desire a variety of different shapes for the spatulate member of the tissue shield. Most shapes are symmetric about the first axis **13**, however, this symmetry is not required. Several examples of top views of potential shapes for the spatulate member are illustrated in FIG. **4**. These shapes include but are not limited to: a "T-shape" **40** which has a long skinny section with an oval shape at the end whose major axis is perpendicular to first axis **13**; a "Blade" shape **41** which is a rectangle with rounded corners, a "Tapered" shape **42** which looks like a teardrop having its narrowest point at the end closest to the guide, a "Pointed" shape **43** which resembles a triangle with rounded corners having a base at the end closest to the guide, and a "Flared" shape **44** which resembles a hexagon with rounded corners. Many other shapes are possible, especially polygons with rounded corners as well as circular or elliptical shapes with continuous curves. While it is not required, it is preferred that the corners on any polygon are rounded to prevent tissue damage from sharp edges. Addition to the variations in the potential top views of the spatulate member, the member may also have differences in the surface that is located just below where a helical suture may be present. This again depends on tissue requirements or application. Several examples of potential cross sections of the tissue shields show these various shapes and are illustrated in FIG. **5**. These surface shapes include but are not limited to: a surface concave about first axis **13** and a helical suturing device **50**; a surface concave about first axis **13** and a helical suturing device, but having a flat base **51**; a completely flat surface **52**; a surface convex about first axis **13** and a helical suturing device **53**; and a surface convex about first axis **13** and a helical suturing device, but having a flat base.

The spatulate member of the tissue shield has a leading edge which is on the end located under a helical suture needle tip as disclosed in PCT appl. no. PCT/US00/29508 published as PCT publication no. WO 01/30245. This edge may or may not be flat **60** depending on the tissue to be sutured. It also may have, but is not limited to a leading edge that is curved upward **61** toward second axis **14** or an edge that is curved downward **62** away from the second axis **14**. These general examples are illustrated in FIG. **6**.

The apparatus of the tissue shield invention may be made of plastic, metal or other sufficiently hard materials. A suitable material may be non-porous to simplify sterilization. It should be stiff enough to not deform unduly when pressed against various tissue, but not so stiff that it is brittle and likely to crack or break during a procedure.

Ideally, any instrument used in a surgical or other invasive procedure is desired to be sterile. This also holds true for the tissue shield. Although it is not required during the manufacture of the invention, the shield may be sterilized by methods including but not limited to: toxic gas, heat, boiling, and gamma radiation. If the invention is sterilized during manufacture or packaging, it may be desirable to enclose the apparatus in a protective wrapper that will assist in the preservation of sterility. Whether or not the tissue shield is to be sterilized during manufacture, it is desirable that the surface of the tissue protector be extremely smooth to help aid in any sterilization process.

A second embodiment of the invention is a helical suture instrument **10** (FIG. **1**) as disclosed in PCT appl. no. PCT/US00/29508 published as PCT publication no. WO 01/30245 and tissue protecting apparatus as described above. The helical suture instrument has a cylindrical axle which defines the second axis, and a helical portion having a helical outer diameter. The helical suture instrument also

4

has second axial length along the second axis. More descriptive detail is provided in the above referenced PCT application.

A suturing method performed with the apparatus of the helical suture needle and tissue shield described above comprises the following steps. First the spatulate member is placed between the first and second tissues. The first tissue **70** is the tissue desired to be sutured, and the second tissue **71** is the tissue requiring protection from becoming damaged during the procedure. See FIG. **7** for an illustration of placement of the system. The second step is to rotate the helical suture instrument in a first direction **80** to pierce alternately the first and second edges of the first tissue. This direction may be clockwise or counterclockwise depending on the position of the sharp end of the helical suture needle and the direction of its turns. See FIG. **8** for an illustration of this process. The third step is to rotate the helical suture instrument in a second direction **81**, which is the opposite of the first, to withdraw the helical suture instrument from the first tissue. The final step is to withdraw the spatulate member from between the first and second tissues as the helical suture instrument is rotated in the second direction.

What is claimed is:

1. A system comprising a helical suture instrument and apparatus having
  - a first end and a second end, the first end comprising a spatulate member having a first length along a first axis; the helical suture instrument having a cylindrical axle defining a second axis and a helical portion, the helical portion having a helical outer diameter and having a second axial length along the second axis, the second end of the apparatus comprising a guide shaped to receive the cylindrical axle for rotation on the second axis, the guide shaped to constrain the first axis in fixed position relative to the second axis, the first and second axes each lying within a plane and constrained to lie within that plane;
  - the spatulate member extending in a first direction and a second direction from the first axis, the first direction and second direction being on opposite sides of the plane; wherein the first and second axes are farther apart than the helical outer diameter, whereby there is space between the helical portion and the apparatus; wherein the first length is at least five-sixths of the second length.
2. The system of claim **1** wherein the first length is greater than the second length.
3. The system of claim **1** wherein the guide comprises two members each extending toward the second axis from the first axis, each of the two members having a hole shaped to receive the cylindrical axle.
4. The system of claim **1**, further characterized in that the extensions in the first and second directions define a width, the width being less than one-third of the first length.
5. The system of claim **1** wherein the spatulate member is symmetric relative to the first axis.
6. The system of claim **1** further characterized as being sterile.
7. A system comprising a helical suture instrument and apparatus having
  - a first end and a second end, the first end comprising a spatulate member having a first length along a first axis; the helical suture instrument having a cylindrical axle defining a second axis and a helical portion, the helical portion having a helical outer diameter and having a second axial length along the second axis, the helical portion surrounding an open helical center, the second

5

end of the apparatus comprising a guide shaped to receive the cylindrical axle for rotation on the second axis, the guide shaped to constrain the first axis in fixed position relative to the second axis, the first and second axes each lying within a plane and constrained to lie within the plane;

the spatulate member extending in a first direction and a second direction from the first axis, the first direction and second direction being on opposite sides of the plane;

wherein the first and second axes are farther apart than the helical outer diameter, whereby there is space between the helical portion and the apparatus;

wherein the first length is at least five-sixths of the second length.

8. A system comprising a helical suture instrument and apparatus having a first end and a second end, the first end comprising a spatulate member having a first length along a first axis;

the helical suture instrument having a cylindrical axle defining a second axis and a helical portion, the helical portion having a helical outer diameter and having a second axial length along the second axis, the second end of the apparatus comprising a guide shaped to receive the cylindrical axle for rotation on the second axis, the guide shaped to constrain the first axis in fixed position relative to the second axis, the first and second axes each lying within a plane;

the spatulate member extending in a first direction and a second direction from the first axis, the first direction and second direction being on opposite sides of the plane;

wherein the first and second axes are farther apart than the helical outer diameter, whereby there is space between the helical portion and the apparatus; wherein the first length is at least five-sixths of the second length.

9. A system comprising a helical suture instrument and apparatus having a first end and a second end, the first end comprising a spatulate member having a first length along a first axis;

the helical suture instrument having a cylindrical axle defining a second axis and a helical portion, the helical portion having a helical outer diameter and having a second axial length along the second axis, the helical portion surrounding an open helical center, the second end of the apparatus comprising a guide shaped to receive the cylindrical axle for rotation on the second axis, the guide shaped to constrain the first axis in fixed position relative to the second axis, the first and second axes each lying within a plane;

the spatulate member extending in a first direction and a second direction from the first axis, the first direction and second direction being on opposite sides of the plane; wherein the first and second axes are farther apart than the helical outer diameter, whereby there is space between the helical portion and the apparatus; wherein the first length is at least five-sixths of the second length.

10. A helical suture instrument and apparatus having a first end and a second end, the first end comprising a spatulate member having a first length along a first axis;

the helical suture instrument having a cylindrical axle defining a second axis and a helical portion, the helical

6

portion having a helical outer diameter and having a second axial length along the second axis, the second end of the apparatus comprising a guide shaped to receive the cylindrical axle for rotation on the second axis.

11. An apparatus having a first end and a second end, the first end comprising a spatulate member having a length along a first axis; the second end comprising a guide shaped to receive a cylindrical axle for rotation on a second axis, the guide shaped to constrain the first axis in fixed position relative to the second axis, the first and second axes constrained to lie within a single plane;

the spatulate member extending in a first direction and a second direction from the first axis, the first direction and second direction being on opposite sides of the plane;

wherein the first and second axes are more than one-quarter inch apart and less than an inch apart.

12. An apparatus having a first end and a second end, the first end comprising a spatulate member having a length along a first axis;

the second end comprising a guide shaped to receive a cylindrical axle for rotation on a second axis, the guide shaped to constrain the first axis in fixed position relative to the second axis, the first and second axes constrained to lie within a single plane; the spatulate member extending in a first direction and a second direction from the first axis, the first direction and second direction being on opposite sides of the plane, wherein the length of the spatulate member is greater than one inch and less than seven inches.

13. An apparatus having a first end and a second end, the first end comprising a spatulate member having a length along a first axis;

the second end comprising a guide shaped to receive a cylindrical axle for rotation on a second axis, the guide shaped to constrain the first axis in fixed position relative to the second axis, the first and second axes constrained to lie within a single plane;

the spatulate member extending in a first direction and a second direction from the first axis, the first direction and second direction being on opposite sides of the plane;

further characterized in that the extensions in the first and second directions define a width, the width being less than one-third of the length.

14. The system of claim 8 wherein the first length is greater than the second length.

15. The system of claim 8 wherein the guide comprises two members each extending toward the second axis from the first axis, each of the two members having a hole shaped to receive the cylindrical axle.

16. The system of claim 8, further characterized in that the extensions in the first and second directions define a width, the width being less than one-third of the first length.

17. The system of claim 8 wherein the spatulate member is symmetric relative to the first axis.

18. The system of claim 8 further characterized as being sterile.