



US 20120060531A1

(19) **United States**
(12) **Patent Application Publication**
Ferreira et al.

(10) **Pub. No.: US 2012/0060531 A1**
(43) **Pub. Date: Mar. 15, 2012**

(54) **VERSATILE ENVIRONMENTALLY CONSCIOUS APPARATUS**

(60) Provisional application No. 61/365,068, filed on Jul. 16, 2010, provisional application No. 61/115,534, filed on Nov. 17, 2008.

(75) Inventors: **Wayne Ferreira**, Lafayette, CA (US); **Henri-James Tieleman**, Miami, FL (US)

Publication Classification

(73) Assignee: **ECOLOBLUE, INC.**, Miami, FL (US)

(51) **Int. Cl.**
F25D 21/02 (2006.01)
(52) **U.S. Cl.** **62/150**

(21) Appl. No.: **13/319,676**

(57) **ABSTRACT**

(22) PCT Filed: **Jan. 4, 2011**

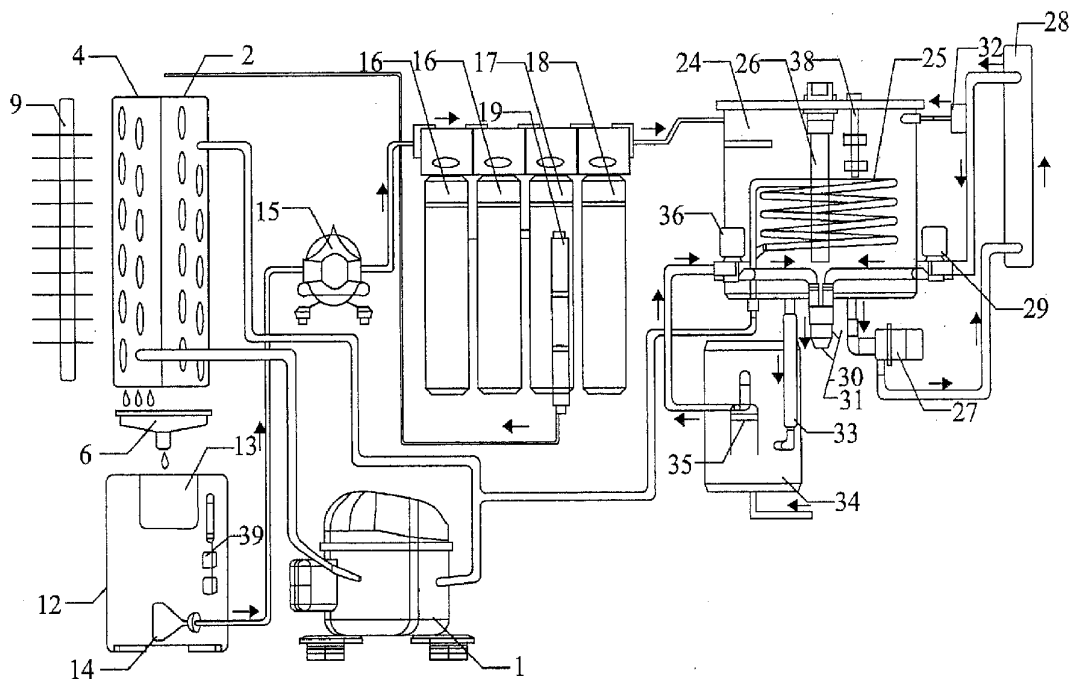
Disclosed is a system to extract water moisture from the atmosphere, highly purify and condition the extracted water, and provide beverages for human consumption. In one embodiment, the device collects water-vapor condensation from filtered intake air, and then subjects the condensate to a series of purification filters and to a sterilization process in order to produce drinking water. The system may then use the water produced to provide carbonated drinks, flavored drinks, coffee drinks, or ice. The system may also play music and charge a portable electronic device. The disclosed system may incorporate the variations in different combinations.

(86) PCT No.: **PCT/US11/20077**

§ 371 (c)(1),
(2), (4) Date: **Nov. 11, 2011**

Related U.S. Application Data

(63) Continuation-in-part of application No. 12/747,902, filed on Jun. 14, 2010, now Pat. No. 7,861,544.



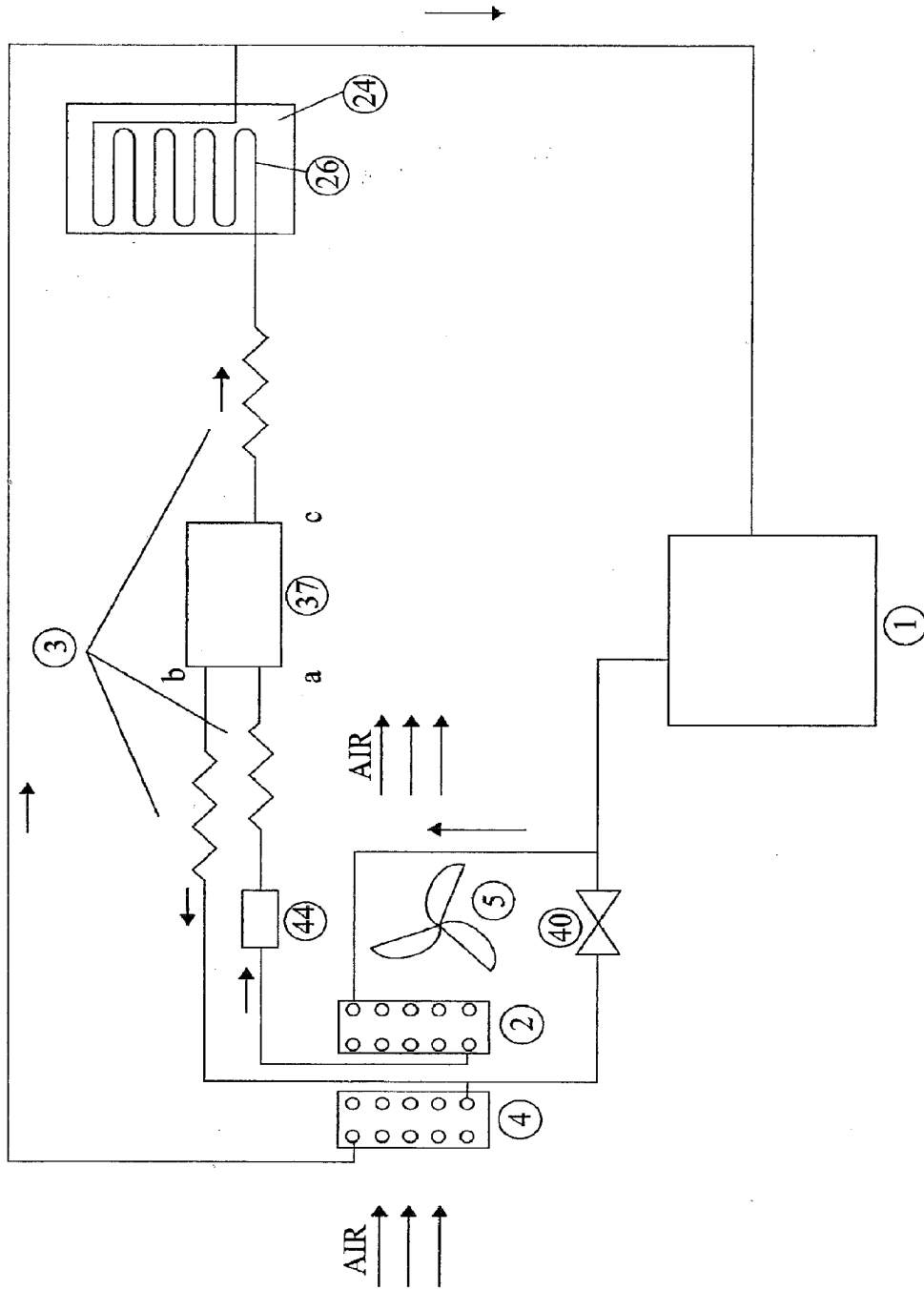


FIG. 1

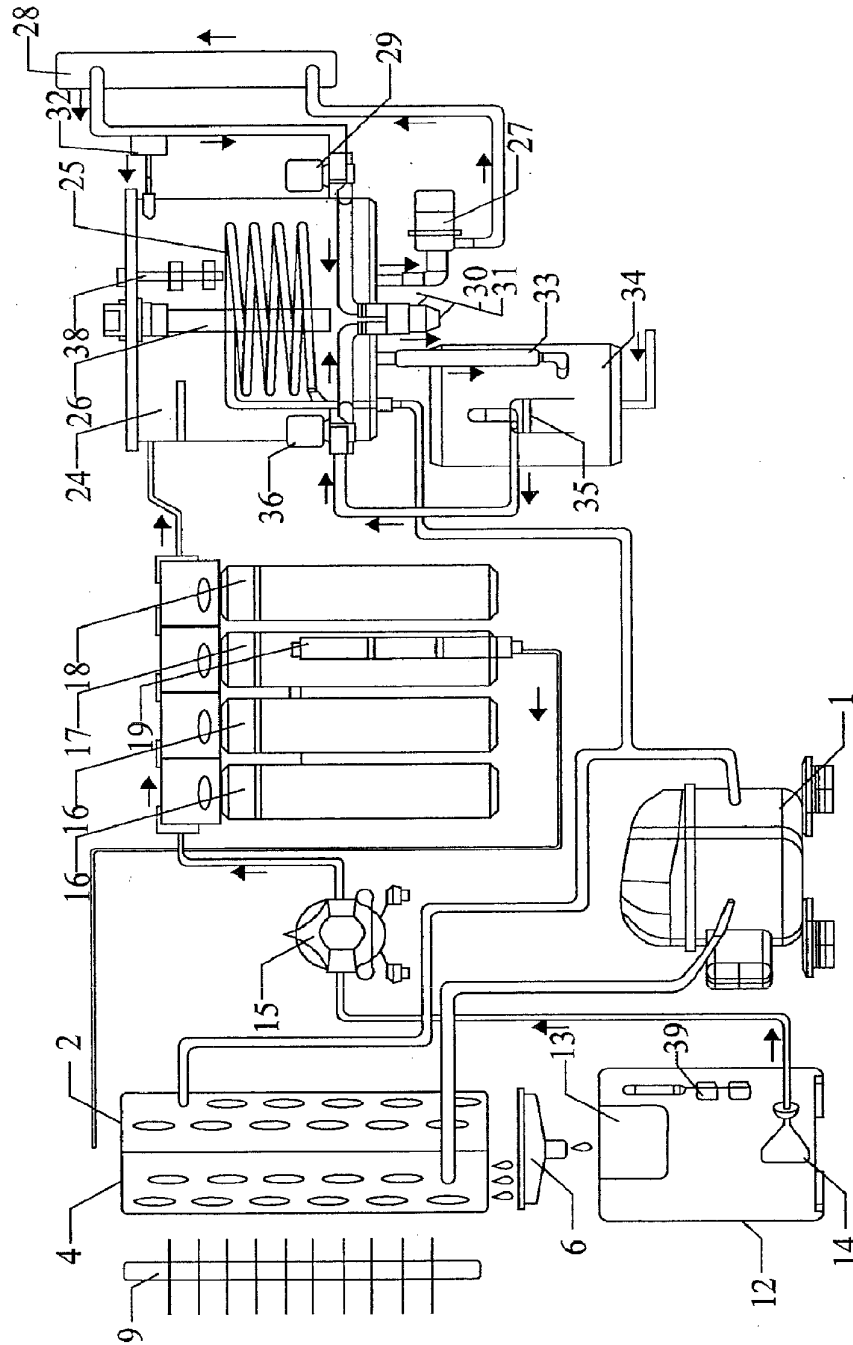


FIG. 2

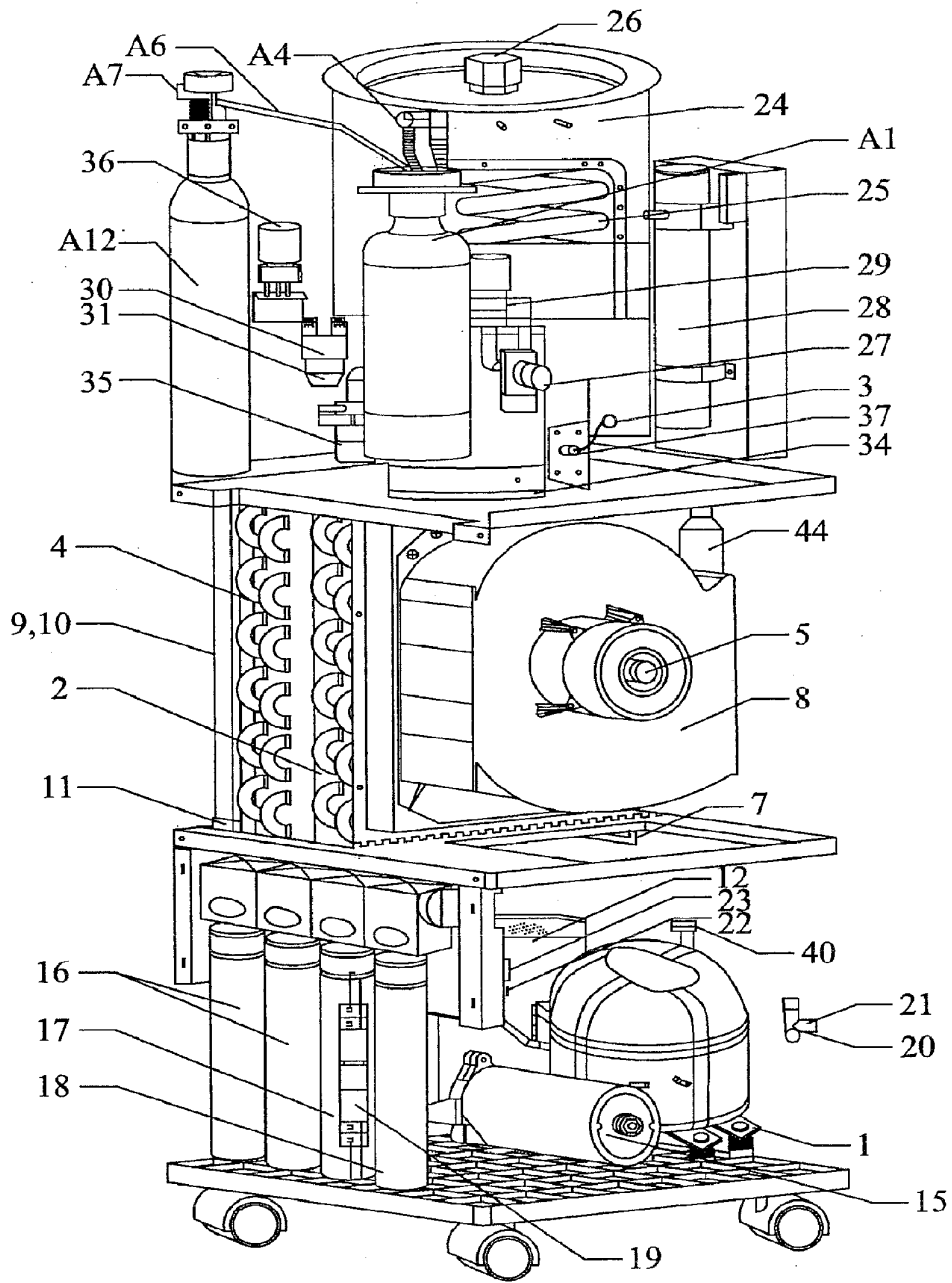


FIG. 3

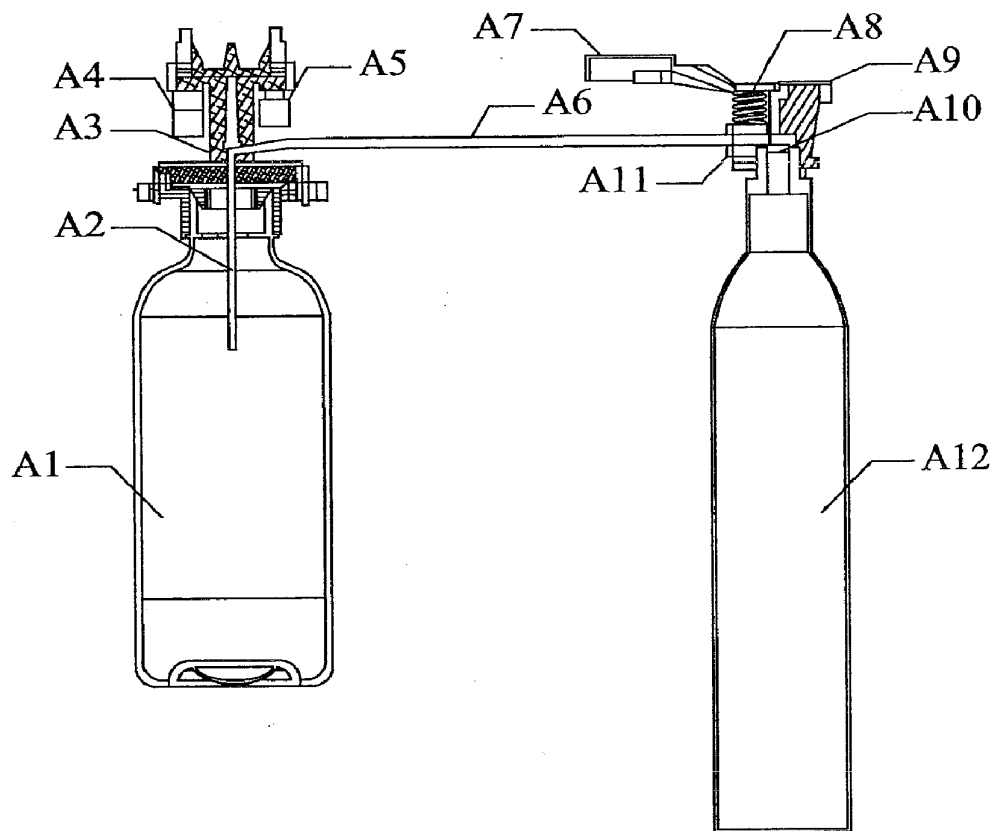


FIG. 4

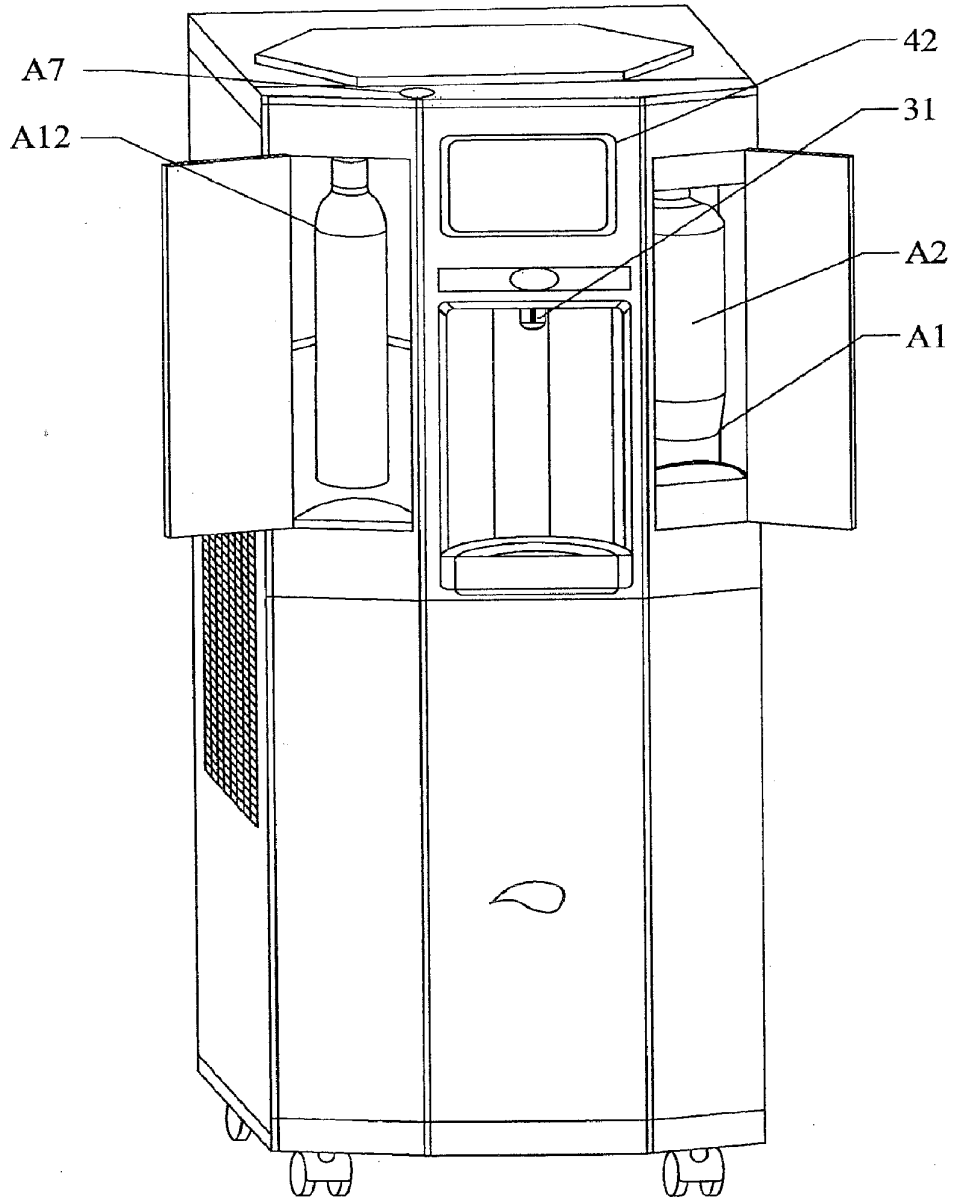


FIG. 5

FIG. 6

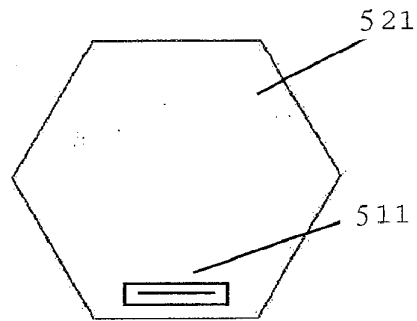


FIG. 7

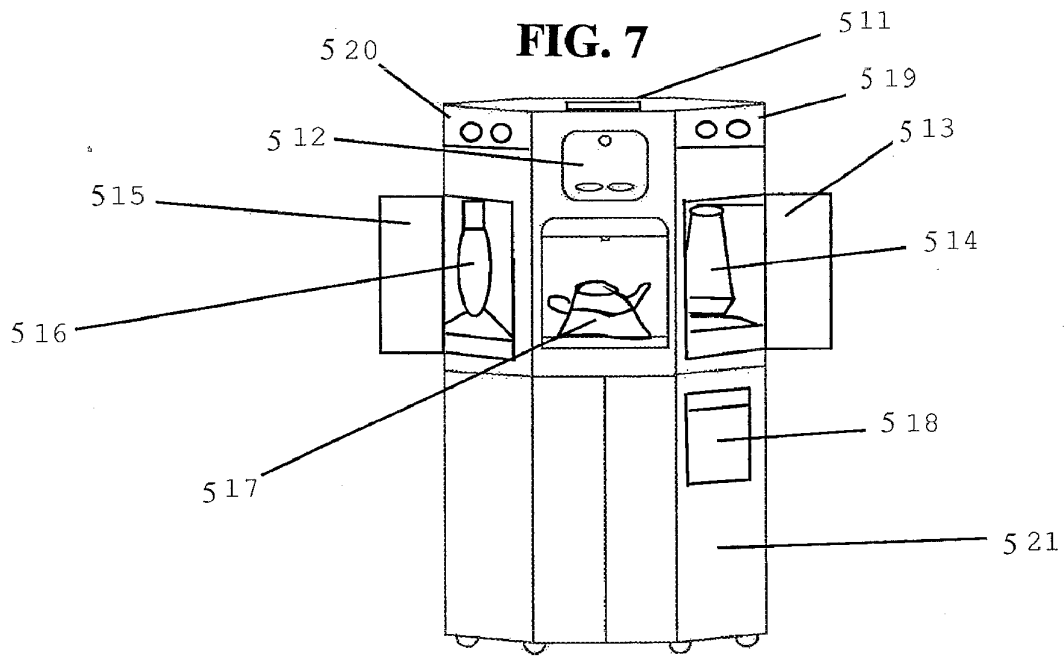


FIG. 8

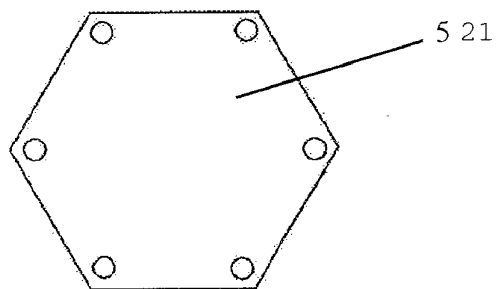
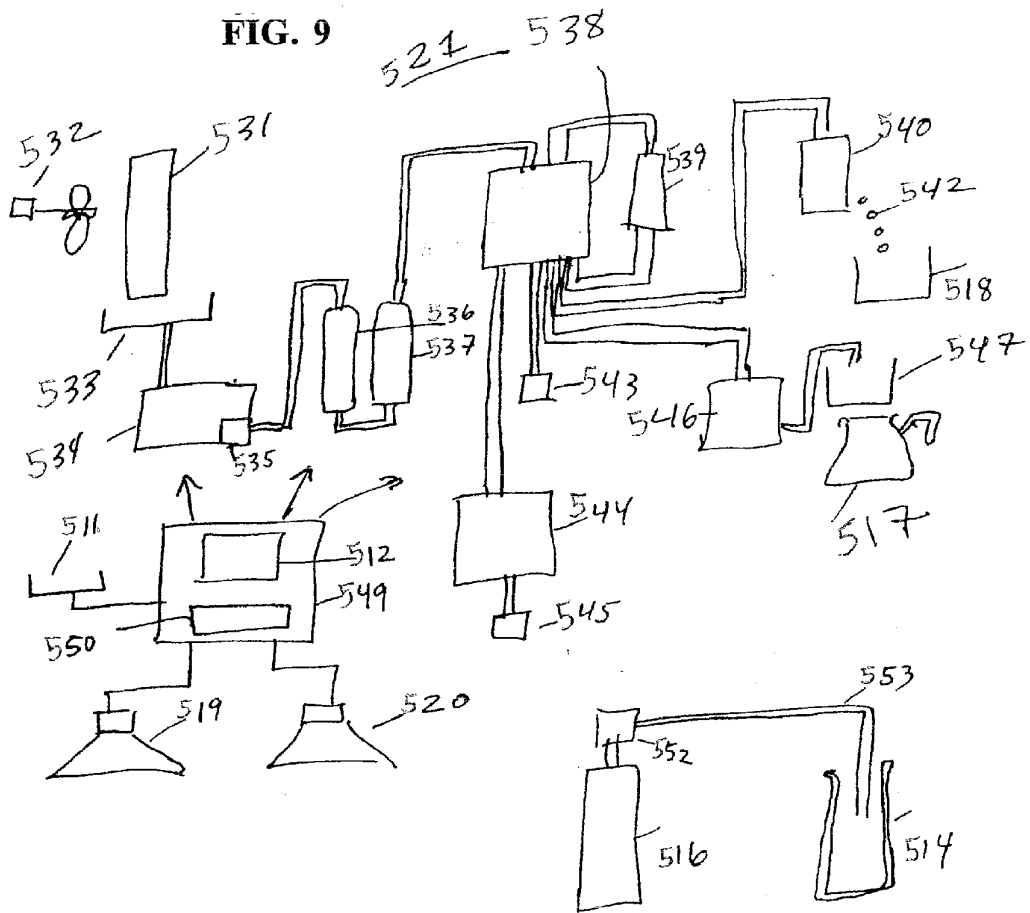


FIG. 9



VERSATILE ENVIRONMENTALLY CONSCIOUS APPARATUS

BACKGROUND OF THE INVENTION

[0001] The demand by consumers for good-tasting, pure and safe, economical, and environmentally friendly sources of drinking water has resulted in an ever-growing market for purified bottled water, including water packaged in individual-sized plastic bottles and dedicated water coolers that requires periodic delivery and change-out of large water bottles. Not only is either of the preceding water-delivery methods in efficient and relatively expensive, but they each expend precious water-supply resources. Moreover, individual purified-water bottles are usually made of plastic and are rarely recycled, which results in undesirable solid waste to populate landfills.

[0002] One source of water that often goes unappreciated and generally uncaptured on is the humidity in the atmosphere. While the prior art has long included room dehumidifiers, which condenses humidity in the air and produces waste water to be later dumped, these dehumidifiers do not subject the condensate to specialized filtration or other processing to make the water suitable and/or better tasting for human consumption.

[0003] In addition, many consumers enjoy bottled soda water and flavored drinks, the delivery of which presents the same problems as was discussed for non-carbonated purified water bottles already discussed above. Therefore, it would be desirable to create a convenient, economical, and environmentally friendly means to deliver safe, pure, good-tasting carbonated water for human consumption either by itself or in combination with other flavorings and substances.

[0004] In addition, many consumers enjoy ice cubes and all kinds of coffee. Therefore, it would be desirable to create a convenient, economical, and environmentally friendly means to deliver safe, pure, good-tasting carbonated water, coffee, and ice for human consumption.

[0005] Further, consumers enjoy listening to music while doing all sorts of daily activities. A versatile environmentally conscious apparatus that has a docking station with speakers which allows the consumer to charge, recharge, or play any MP3 player, any iPod or any iPhone while making a pot of coffee, a carafe of sparkling soda water or a bucket of ice would be a very attractive device. The system functions described above might not be provided all at once but sub-combinations can exist.

BRIEF SUMMARY OF THE INVENTION

[0006] The inventive disclosures contained herein include a system designed to extract water moisture from the atmosphere, highly purify and condition the extracted water, and provide optional carbonation of the extracted water for human consumption. The highly purified water can also be used to make ice or coffee for human consumption. The top of the apparatus has a docking port and speaker system compatible with a MP3 player, an iPod, or an iPhone. The docking port may also be compatible with other portable electronic audio devices and smart-phones.

[0007] In one embodiment, the device collects water-vapor condensation from filtered intake air, then subjects the condensate to a series of purification filters and to a sterilization process in order to produce drinking water, while also providing a means to combine the purified water with CO₂ gas to

facilitate dispensing carbonated water and/or carbonated drinks. This highly purified carbonated water is also conducive to the health of consumers.

[0008] In a second embodiment, the device collects water-vapor condensation from filtered intake air, then subjects the condensate to a series of purification filters and to a sterilization process in order to produce drinking water, while also providing a means to combine the purified water with ground coffee.

[0009] In a third embodiment, the device collects water-vapor condensation from filtered intake air, then subjects the condensate to a series of purification filters and to a sterilization process in order to produce drinking water, while also providing a means to freeze the purified water creating ice cubes.

[0010] In some alternative embodiments, where there is very low humidity and/or ambient temperature, which said environment is not conducive to the production of very much condensate for water production, the device can be connected directly to an external tap-water source, wherein the tap water is subjected to the device's purification filtration and sterilization processes, as well as the optional carbonation, coffee-making, and/or ice-making processes.

[0011] The preceding summary is only intended to provide a very brief overview of the inventive disclosures contained within this patent application. The preceding brief summary is not intended to recite the entirety of the inventive concepts disclosed herein.

BRIEF DESCRIPTION OF THE DRAWINGS

[0012] FIG. 1 depicts a simplified one-line diagram of one embodiment of the refrigeration system that extracts water from the atmosphere, which shows the fluid flow through major components.

[0013] FIG. 2 shows a diagram of one embodiment of the system that extracts water from the atmosphere, depicting the functional relationships of major components that process the gas and liquids through filtration and sterilization to produce purified water.

[0014] FIG. 3 depicts one embodiment of the inventive disclosure as an isometric view of major internal components.

[0015] FIG. 4 depicts a CO₂ gas cylinder and the gas-diffusion chamber.

[0016] FIG. 5 depicts the front panels of one embodiment of the inventive disclosure, including the locations of a CO₂ gas cylinder and the gas-diffusion chamber.

[0017] FIG. 6 shows a top view of one embodiment of the system showing the docking station for any MP3 player, any iPod, and any iPhone.

[0018] FIG. 7 shows a diagram of the front view of one embodiment of the system, depicting all of the components, such as the two speakers, LCD display, two doors, a CO₂ gas cylinder, a soda water carafe, a coffee pot, and an ice drawer.

[0019] FIG. 8 shows a bottom view of one embodiment of the system; and

[0020] FIG. 9 is a functional block diagram of one embodiment of the system.

DETAILED DESCRIPTION

[0021] One embodiment includes a system designed to extract water moisture from the atmosphere, highly purify and condition the extracted water, and provide and optional carbonation of the extracted water for human consumption.

The device collects water-vapor condensation from filtered intake air, then subjects the condensate to a series of purification filters and to a sterilization process in order to produce drinking water, while also providing a means to combine the purified water with CO₂ gas to facilitate dispensing carbonated water and/or carbonated drinks.

[0022] Alternatively, where there is very low humidity and/or low ambient temperature, which said environment is not conducive to the production of very much condensate for water production, the device can be connected directly to an external tap-water source, wherein the tap water is subjected to the device's purification filtration and sterilization processes, as well as the optional carbonation process.

[0023] Refer to FIGS. 1-5. Some embodiments incorporate the fan/blower-powered [5] intake of filtered air [9], which is directed through an evaporator-condensation means [4, 2], such as an aluminum-fin evaporator, causing condensate to gravity-drain into a collector means [6]. In one embodiment, the collector means [6] is a highly polished, plate-shaped, detachable water retainer, wherein the highly polished surface facilitates the gravity flow of condensate water into the lower water tank [12]. The collected water condensate is then pumped [15] through a series of filters (such as activated carbon filters, zeolite filters, and/or far-infrared filters mineralization) [16, 18] and through a reverse-osmosis filter [17]. The reverse-osmosis filter [17] is also connected to a waste-water proportion controller [19] that allows a user to control how much waste water the user would like the system to produce. The waste-water proportion controller [19] is connected to the collector means [6] and waste-water outlet via a three-way valve [20].

[0024] In an embodiment, the filtered water is then subjected to ultra-violet-light sterilization [26, 28] and temperature condition (cooling [25] or heating [35]). Finally, the device provides the user with the option of directing the purified water and CO₂ gas [A12] into a gas-water-diffusion chamber [A1], which then can provide the user with the purified, sparking water from the output [31]. Some embodiments also incorporate both a heating means [34, 35, 36] and a refrigeration means [1, 25, 37] so that end users can opt to dispense either heated water or cooled water. Some embodiments only provide a means to dispense cooled water, while even other embodiments dispense the water at ambient temperature.

[0025] In some embodiments, the various subsystems such as the heating and cooling systems, the sterilization system, and defrosting systems are controlled by an intelligent, single-chip control system. The single-chip control system uses inputs associated with water temperature, water level [38], and defrosting temperature to decide when to actuate various control devices, such as the solenoid cooling valve [37].

[0026] In some embodiments, the refrigeration systems comprise a typical refrigeration cycle, including refrigerant compressed by a compressor [1] into a liquid, whereby the compressed refrigerant passes through the capillary aluminum-fin (or equivalent) condenser [2] and is vaporized, thus removing heat from the medium surround the evaporator. Notably, in some embodiments, a common compressor is used to supply refrigerant to both the evaporator-condenser [4, 2] and to the cooling coils [25] in the upper water tank [24], which is advantageous to both reduce the internal room

required to house components and to conserve resources. One or more solenoid-operated control valves are used to direct refrigerant flow.

[0027] In an embodiment, the condensate-collection system comprises a condenser fan [5] with a collector [6], wherein the fan forces intake ambient air through the cold evaporator fins [4], on which liquid water will condense from the air and deposit on said fins, then gravity-drain into the collector [6] and into the lower water tank [12].

[0028] In an embodiment, the compressor [1] sucks-in gaseous refrigerant from evaporator [4] or from the cooling loop [25]. The compressed, hot refrigerant usually passes through condenser [2], and from there to restriction (copper filter) [44]. The refrigerant then passes through solenoid cooling valve [37]. If solenoid cooling valve [37] is not electrically energized, then the refrigerant passes through outlet [b] (see FIG. 1) and from there to the evaporator [4], where the refrigerant is permitted to expand and thus chills air passing through the evaporator [4]. If solenoid cooling valve [37] is electrically energized, the refrigerant passes through outlet [c] and from there to cooling loop [25] (contained within upper water tank [24]), where the refrigerant is permitted to expand and thus chills water in upper water tank [24].

[0029] In one embodiment, the compressor [1] is a high-efficiency, variable-speed compressor whose operation, including energizing times and speed, are controlled by an inverter-controller. Preferably, the high-efficiency, variable-speed compressor (with controller) has characteristics comparable to those of a Panasonic® Model 6TD075XAA41. Because the compressor [1] is the largest electrical load on the system (typically, it represents almost 50% of the energy consumption of the system to generate water from the atmosphere), it is advantageous to minimize its cycling operations as allowed by ambient conditions, such as temperature and humidity. Moreover, the employment of such a controllable, high-efficiency compressor [1] facilitates the use of a solar-energy source such that the machine can be stationed remotely and independent from any external power source. In a related embodiment, the system is electrically powered by one or more solar panels rated at rated for at least 300 W.

[0030] In another embodiment, the intake ambient air previously mentioned leaves the evaporator [4] and passes through the condenser [2], which is hot, and the air absorbs heat from the condenser [2]. In another embodiment, the compressor [1] can pump hot refrigerant into the evaporator [4] in order to defrost the evaporator fins [4], using a defrost sensor (omitted for clarity in the figures) that senses a frost temperature in the evaporator [4]. If a excessive-frost condition arises, then solenoid-operated control valve [40] is opened, and hot refrigerant is ported directly into the evaporator [4] to defrost the evaporator.

[0031] In one embodiment, the lower water tank [12] is of a detachable design located in a drawer to facilitate easy cleaning and maintenance. In another embodiment, the lower water tank [12] also comprises a preliminary filter [13] (which in some embodiments is comprised of activated carbon or zeolite, to remove the smell of condensate water and ammonia). In another embodiment, the lower water tank also comprises a particle filter [14], which is used to help protect the one or more water pumps [15].

[0032] In an embodiment, to prevent secondary pollution from Pseudomonas resulting from evaporation at the brass fins due to pinna heat and water contact, and at the same time prevent corrosion at the evaporator [4], the evaporator [4]

surface is coated with non-toxic, anti-corrosion materials that comply with applicable food standards for paint or a PTFE protective layer. This helps avoid the condensation of heavy metals into the water, which improves the safety of drinking water. Moreover, the coating promotes the rapid collection of water.

[0033] In an embodiment, in order to prevent large particulate matter and dust into the lower water tank [12], and at the same time to prevent mold on the evaporator [4] surfaces, the air intake is equipped with an anti-static, anti-mold air filter [9, 10]. Said air filters are installed in the air filter guide [11], providing convenient access for cleaning or changing-out.

[0034] In one embodiment, the water pump [15] pumps water through the activated carbon filters [16], the reverse-osmosis filter [17], and the zeolite filter [18]. The reverse-osmosis membrane filter [17] has an aperture of approximately $\leq 0.0001 \mu\text{m}$ in order to filter out bacteria, viruses, and heavy metals, as well as to remove unwanted smells. This filtration helps ensure that the output water, whether be sparkling water or non-sparkling water, meets applicable standards for drinkability. Wastewater output port [19] is employed in a backwash of the reverse-osmosis filter [17]. Filtered water, suitable for drinking, reaches the upper tank [24], where it can be chilled.

[0035] In another embodiment, the lower-water tank [12] has a water level sensor [39]. Whenever the water level sensor [39] detects that the tank [12] is substantially full, according to a predefined setpoint, then the evaporator [4] is not chilled by way of manipulation of the one or more solenoid-operated control valves [40], since the addition of more condensate to the tank [12] would risk overfilling the tank [12].

[0036] In an embodiment, each tank water-level sensor [38, 39] can adopt a design that includes a two-line water level sensor with a built-in magnet float, which can detect water level in different locations with a closure of a different reed switch to determine the value of the water level.

[0037] In an embodiment, the cooling loop [25] is used to control the water temperature in the upper water tank [24] to within the range of 2-15° C., which helps inhibit bacterial growth and reproduction. At the same time, in another embodiment, the upper water tank [24] is equipped with ultra-violet disinfection device [26, 28] to aid in water sterilization, which subjects the water within the upper water tank [24] to ultra-violet light. In one embodiment, the ultra-violet sterilization device [26, 28] has an effective sterilization rate of at least 99.99%, using a 254 nm wavelength. In an embodiment, the ultra-violet sterilization device [26] is controlled by the single-chip control system to periodically turn on as water within the upper water tank [24] is circulated by pump [27] through the sterilization chamber [28] and delivered back to upper water tank [24] in order to perform sterilization from time to time and to prevent bio-film growth in the tubing/piping.

[0038] In another embodiment, potable water is released through output filter [30] to outlet valve [31] by electrically operated valve [29], after having passed through the sterilization chamber [28].

[0039] In an embodiment, to supply hot water, water is able to drain through line [33] from upper water tank [24] into hot water tank [34], which contains an electrical heating element. Hot, potable water is pumped by water pump [35] through an electrically operated valve [36], and through output filter [30] to outlet valve [31] via electrically operated valve [29].

[0040] In one embodiment, another ultra-violet disinfection device is used for the user-selected output water stream (that is, hot or cold, sparkling or non-sparkling, water) through outlet valve [31].

[0041] In an embodiment, the upper water tank [24] has water-level sensor [38]. Whenever the water-level sensor [38] detects that the upper water tank [24] is substantially full, according to a predetermined setpoint, then the water pump [15] is not operated, as this would overfill the upper water tank [24].

[0042] In an embodiment, the bank of carbon filters are configured such that they are easily accessible in the device to facilitate replacement.

[0043] In one embodiment, the water-heating tank [34] and supporting one-way valve [36] and water pump [35] are used to provide hot water within a range of 50-95° C., as controlled by the single-chip controller.

[0044] In another embodiment, the device employs a water-leakage-detection switch, which will shutdown the system if leakage within the device cabinet is detected.

[0045] In an embodiment, a user controls the device's mode of operation by way of a digital display and control system [42], which can employ either a button or touch-screen input device. Said system provides a means for a user to set the operating temperatures for the cooling and heating of the water to be output, as well as defrosting cycles. Additionally, said system provides a means for the end-user to select whether the output water is to be carbonated or not. In addition, the display provides notifications to the end-user of when filter replacements are due/recommended, the activation of the sterilization process, the upper and lower limit of the working humidity. Said system can also be programmed to save energy and shutdown key components, such as the compressor [1], when low-humidity and/or low-temperature conditions are detected. Finally, the display also provides troubleshooting information in the event of a system failure.

[0046] In another embodiment, the device can be connected to an external potable water source, which is advantageous for times when either the atmospheric conditions are such that there is low temperature and/or low humidity. In this case, the external water source can still take advantage of the device's onboard systems for high filtration, sterilization, temperature conditioning, and diffusion with CO₂ gas for the formation of sparkling water.

[0047] In an embodiment, the CO₂ gas is mixed with output water to produce carbonated drinks, through the installation of one or more CO₂ gas cylinders [A12] and a gas-diffusion chamber [A1], which are connected at their tops via a gas line [A6]. The CO₂ gas cylinder(s) [A12] is(are) equipped with a one-way valve [A10], having a valve stem [A9], and a pressure-relief valve [A11]. The CO₂ gas enters the gas-diffusion chamber [A1] via a one-way valve [A10] and the trachea [A2]. The gas-diffusion chamber [A1] is equipped with an inlet valve [A3] and a pressure-relief valve [A5]. An alarm is set off if the relief-valve [A5] spring pressure setting is set too high. Lever [A7] is urged upwards by spring [A8]. If a user causes lever [A7] to be depressed, then the valve stem [A9] is pushed downward, releasing gas into gas line [A6]. From there, the gas passes through throat [A2] into water contained in the gas-diffusion chamber [A1]. Eventually, release valve [A4] opens (the user will also hear the sound of filling as the gas-diffusion chamber realizes a saturated content of purified water and CO₂ gas), signaling to the user to release lever [A7]. Thus, in one embodiment, a user may unscrew the gas-diffu-

sion chamber [A1], position the chamber under outlet valve [31], may dispense potable water into the gas-diffusion chamber [A1], screw the gas-diffusion chamber [A1] back into place, and then depress lever [A7] until signaled to release lever [A7] by a sound at release valve [A4]. In some embodiments, a user can get the output purified carbonated water via a separate output valve at the top of the gas-diffusion chamber [A1]. In other embodiments, a user can cause a solenoid control valve (via control panel [42]) to align the source of the output from valve [31] to be directed from the gas-diffusion chamber [A1].

[0048] In other embodiments, the gas-diffusion chamber [A1] is configured to receive purified water from the machine directly while in a depressurized state without direct user intervention, wherein a solenoid-operated control valve allows purified water to enter the gas-diffusion chamber [A1] until a predetermined level is reached. Said predetermined level can be detected by way of a water-level detector, such as one of a magnetic-float type as described earlier in this specification, or a pressure sensor. The gas-diffusion chamber [A1] is then able to be pressurized to a predetermined amount with CO₂ gas from CO₂ gas cylinder(s) [A12]. Said predetermined amount of pressurization, which in turn translates to the level of carbonation (saturation) of the water, can be detected and controlled by way of a pressure sensor or a water-level (expansion) detector within the gas-diffusion chamber [A1]. Then, the output of the machine can provide a purified sparkling-water output via throat [A2] and output valve [31]. When first used, the CO₂ gas cylinder(s) [A12] tightens up on the valve seat, resulting in no leakage. Additionally, the gas-diffusion chamber [A1] once primed with the purified water-and-CO₂ mixture also tightens up on its seals to prevent leakage.

[0049] In alternative embodiments, flavorings, including but not limited to fruit juices, can be added to the gas-diffusion chamber [A1] in addition to the purified water, thus resulting in potable, flavored carbonated drinks. Flavorings may also be added at, or before, the outlet valve [31] for other beverages. Flavorings might include fruit juice, vegetable juice, sugar-based syrups, low-calorie syrups, calorie-free sweeteners, dairy products, and extracts from herbs and spices.

[0050] In one embodiment, the system contains one or more vessels for distilled spirits. These may include liqueurs or other alcoholic beverages. The system may combine the alcohol with water, carbonated soda water, ice, flavorings, coffee drinks, and/or other alcohols to provide a cocktail or other mixed drink. In one embodiment the mixed drink is prepared according to a pre-programmed recipe. In another embodiment, the mixed drink is prepared according to a recipe program received through the portable electronic device.

[0051] FIG. 6 is a top view of one embodiment of the system 521 showing the docking station 511 for any MP3 player, any iPod and any iPhone.

[0052] FIG. 7 shows a diagram of the front view of one embodiment of the system 521, depicting components, such as the two audio speakers 519, 520, LCD display 512, two doors 513, 515, a CO₂ gas cylinder 516, a soda water carafe 514, a coffee pot 517, and an ice drawer 518.

[0053] FIG. 8 is a bottom view of one embodiment of the system 521.

[0054] FIG. 9 is a functional block diagram of one embodiment of the system 521. Evaporator 531 is cold. Blower 532

blows ambient air through the evaporator. Condensate drops into drip pan 533 and is collected in tank 534. If there is a call for water from tank 538, and if the tank 534 is not empty, then pump 535 pumps water through filters 536, 537 to tank 538. Filters may be activated charcoal filters, or may be other types of filters, replaced as needed from time to time. Water from tank 538 is also made available to ice maker 540 which makes ice 542 which is stored in storage bin 541. While such ice is often loosely referred to as "ice cubes", it will be appreciated that with most ice makers the ice is actually in the form of crescents. Water from tank 538 is also made available to coffee maker 546, which provides hot water to funnel 547 which holds a coffee filter, omitted for clarity in FIG. 9. Drip coffee is captured in carafe 517.

[0055] Yet another approach is to provide a more sophisticated coffee maker, such as an espresso/cappuccino maker. Such a maker provides a source of steam or superheated water for making the beverage, and steam is also available for frothing of cream or milk for the cappuccino.

[0056] It will be appreciated that the system according to the invention offers at least two distinct benefits. One benefit is that the user, who will be drinking the beverage, will likely find it desirable that the water employed to make the beverage is essentially distilled water, and thus is free of many potential contaminants that might be found in water from other sources. A distinct benefit is that the boiler chamber used for generating steam will "lime up" as minerals accumulate. The accumulation of minerals (such as calcium or magnesium salts) can render the boiler unusable. With the present invention, however, the water will contain virtually no calcium or magnesium salts and thus the boiler chamber will not "lime up" nearly so quickly.

[0057] A compressor, omitted for clarity in FIG. 9, provides compressed refrigerant to evaporator 531, or to a jacket of tank 538, or to ice maker 540, to provide cooling for the evaporator 531, or to cool the water in tank 538, or to provide chilled air for the ice maker 540 and the ice storage bin 518. Controller 549 receives, for example, a call for cooling from a sensor at the evaporator 531, or a call for cooling from a sensor at the cold-water tank 538, or a call for cooling at the ice maker 540. After the refrigerant evaporates and provides its cooling benefit, it is compressed in the compressor and is then cooled in a condenser, omitted for clarity in FIG. 9. Water from tank 538 is passed to tank 544 where it is heated (under thermostatic control) and is dispensed at spigot 545.

[0058] Chilled water is dispensed at spigot 543. Overflow and drain lines, likewise omitted for clarity in FIG. 9, provide drain paths for unintended overflow in cold-water tank 538, hot-water tank 544, coffeemaker 546, and ice maker 540. Water may be dispensed from spigot 543 into carafe 514, which may then be set into place in the carbonation location having pipe 553. When hand-operated valve 552 is opened, carbon dioxide from tank 516 is released and carbonates the water. In this way the user receives sparkling water from the air.

[0059] Controller 549 receives calls for cooling or heating and calls for water, and generally administers the day-to-day function of the system 521, with a display 521 and a keypad 550. The controller 549 will also desirably keep track of the usage of the filters 536, 537 and will recommend their replacement as appropriate.

[0060] A connector (docking station) 511 can receive audio signals and amplify the signals for speakers 519, 520. The audio signals are provided by an electronic device connected

to the docking station **511**. Such a device may include a MP3 player, an iPod, an iPhone, an audio book player, a smartphone, a digital radio, and other electronic devices. The user may control the playback process and volume and tone at the keypad **550**. As may be seen in FIGS. **6**, **7**, and **8**, the speakers are optimally positioned angled outwards, thereby enhancing the stereo listening experience.

[0061] It will be appreciated that the term “speaker” might mean a device containing a single transducer converting electrical energy into air vibrations, or might mean a device containing two or more transducers each converting electrical energy into air vibrations. The latter is typified by a speaker containing a tweeter and a woofer. In a stereo sound reproduction system there will typically be two speakers, each of which contains one or more transducers.

[0062] The docking station **511** may merely provide an audio path but may also contain a recharging path for recharging the music player, and may also provide control signals to start and stop the player and to select programs, channels, digital audio files, and digital radio stations for play. Preferably the docking station **511** and the speakers **519**, **520** are higher than the plumbing of the system **521**, thereby reducing the risk that water or other liquids will contaminate or damage the docking station **511** or speakers **519**, **520**.

[0063] Those skilled in the art will have no difficulty devising myriad obvious variations and improvements to the invention, all of which are intended to be encompassed within the scope of the claims which follow.

1. A system for providing drinkable hot and cold, which its temperature can be controlled and adapted, water created from purified potable water derived from the atmosphere, said system comprising:

- a housing having an air-inlet port and an air-exhaust port;
- a refrigerant compressor;
- at least one multi-way solenoid-operated refrigerant control valve;
- a controller means for monitoring for controlling said at least one solenoid operated refrigerant control valve and other electrical subsystems within the system;
- an evaporator means,
 - wherein said evaporator means has fins for maximizing surface-area contact and heat transfer with ambient air,
 - wherein said fins are coated with non-toxic, anti-corrosion materials that comply with applicable regulatory food standards for paint or a PTFE protective layer, said coating also promoting the rapid collection of condensate water, and
 - wherein said evaporator can be configured by said at least one solenoid-operated refrigerant control valve to receive chilled refrigerant as pumped from said refrigerant compressor to chill air passing across said evaporator fins, and
 - wherein said evaporator can be configured by said at least one solenoid-operated refrigerant control valve to receive hot refrigerant as pumped from said refrigerant compressor to defrost said evaporator fins;
- an anti-static, anti-mold air filter,
 - wherein said anti-static, anti-mold air filter is installed upstream of said evaporator means;
- a condenser means for the system's refrigeration cycle;
- a fan/blower means,
 - wherein said fan or blower means circulates ambient air from said air-inlet port, through said anti-static, anti-

- mold air filter, across said evaporator means, said condenser means, then out said air-exhaust port;
- a collector means with highly polished surfaces;
- a preliminary filter to remove the smell of condensate water and ammonia,
 - wherein said preliminary filter is comprised of activated carbon or zeolite,
- a condensate collection tank,
 - wherein said highly polished surfaces of said collector means facilitate the gravity flow of condensate water into said condensate-collection tank, and
 - wherein said condensate-collection tank is equipped with a water-level detector,
 - said water-level detector and controller means causing said evaporator means to stop receiving chilled refrigerant at a predetermined high-level setpoint,
- at least one water pump;
- a particle filter for filtering particles to protect the intake of said at least one water pump;
- a water-purification filtration assembly to filter out bacteria, viruses, and heavy metals, as well as to remove unwanted smells, comprising
 - at least one activated carbon filter,
 - at least one reverse-osmosis filter,
 - wherein said reverse-osmosis filter has an aperture of less than or equal to 0.0001 μm and wherein said reverse-osmosis filter can be back-flushed such that the waste water can be directed to said collector means via a three-way valve that is controlled by a waste-water proportion controller,
 - at least one zeolite filter,
 - wherein said water pump pumps condensate water from said condensate-collection tank through said water-purification assembly a purified-water-collection tank for collecting purified water,
 - wherein said purified-water collection tank is equipped with a water-level detector,
 - said water level detector and controller means causing said at least one water pump to stop pumping new purified water into said purified-water tank at a predetermined high-level setpoint,
- a cooling loop disposed within said purified water collection tank,
 - wherein said cooling loop can be configured by said at least one solenoid-operated refrigerant control valve receive refrigerant as pumped from said refrigerant compressor to cool said purified water, and
 - wherein the temperature of said purified water in the purified-water-collection tank is maintained within a temperature range of 2-15 Celsius;
- a sterilization means for killing biological material and viruses within said purified-water-collection tank, comprising an ultra-violet light device and sterilization chamber, said ultra-violet light device having an effective sterilization rate of at least 99.99%, using a wavelength in the range of 253-255 nm;
- a hot-water tank that receives purified water from said purified-water tank through gravity drain,
 - wherein said hot-water tank contains an electrical heating element,
 - wherein the water within said hot-water tank is within a range of 50-95 Celsius, as controlled by said controller means, and

wherein to provide hot, potable water for a user, said hot, potable water can be pumped by a hot-water pump through an electrically operated valve and an output filter to a common outlet header;

a common outlet valve, disposed at said common outlet header, that can be positioned to allow a user to obtain an output of hot or cold purified water from the system;

at least two speakers, stored within said housing with a sliding port adapted for iPhone, iPod and any MP3 MP4, equipped with a control panel to increase or decrease the volume of the music and or changing the channels remotely with the use of a remote control.

2. The system of claim 1, wherein said generating water from the atmosphere while being able to play music through an iPhone, an iPod docking sliding integrated system or any MP3 or MP4 players with an integrated port.

3. A system for providing drinkable water created from purified potable water derived from the atmosphere, said system comprising:

a housing having an air-inlet port and an air-exhaust port; a refrigerant compressor;

at least one multi-way solenoid-operated refrigerant control valve;

a controller means for monitoring for controlling said at least one solenoid-operated refrigerant control valve and other electrical subsystems within the system;

an evaporator means,

wherein said evaporator means has fins for maximizing surface-area contact and heat transfer with ambient air,

wherein said fins are coated with non-toxic, anti-corrosion materials that comply with applicable regulatory food standards for paint or a PTFE protective layer, said coating also promoting the rapid collection of condensate water, and

wherein said evaporator can be configured by said at least one solenoid-operated refrigerant control valve to receive chilled refrigerant as pumped from said refrigerant compressor to chill air passing across said evaporator fins, and

wherein said evaporator can be configured by said at least one solenoid-operated refrigerant control valve to receive hot refrigerant as pumped from said refrigerant compressor to defrost said evaporator fins;

an anti-static, anti-mold air filter,

wherein said anti-static, anti-mold air filter is installed upstream of said evaporator means;

a condenser means for the system's refrigeration cycle;

a fan/blower means,

wherein said fan or blower means circulates ambient air from said air-inlet port, through said anti-static, anti-mold air filter, across said evaporator means, said condenser means, then out said air-exhaust port;

a collector means with highly polished surfaces;

a preliminary filter to remove the smell of condensate water and ammonia,

wherein said preliminary filter is comprised of activated carbon or zeolite;

a condensate-collection tank,

wherein said highly polished surfaces of said collector means facilitate the gravity flow of condensate water into said condensate-collection tank, and

wherein said condensate-collection tank is equipped with a water-level detector, said water-level detector

and controller means causing said evaporator means to stop receiving chilled refrigerant at a predetermined high-level setpoint;

at least one water pump;

a particle filter for filtering particles to protect the intake of said at least one water pump;

a water-purification filtration assembly to filter out bacteria, viruses, and heavy metals, as well as to remove unwanted smells, comprising:

at least one activated carbon filter,

at least one reverse-osmosis filter,

wherein said reverse-osmosis filter has an aperture of less than or equal to 0.0001 μm , and

wherein said reverse-osmosis filter can be back-flushed such that the waste water can be directed to said collector means via a three-way valve that is controlled by a waste-water proportion controller,

at least one zeolite filter;

wherein said water pump pumps condensate water from said condensate-collection tank through said water-purification assembly;

a purified-water-collection tank for collecting purified water,

wherein said purified-water collection tank is equipped with a water-level detector, said water-level detector and controller means causing said at least one water pump to stop pumping new purified water into said purified-water tank at a predetermined high-level setpoint;

a cooling loop disposed within said purified-water-collection tank,

wherein said cooling loop can be configured by said at least one solenoid-operated refrigerant control valve receive refrigerant as pumped from said refrigerant compressor to cool said purified water, and

wherein the temperature of said purified water in the purified-water-collection tank is maintained within a temperature range of 2-15 Celsius;

a sterilization means for killing biological material and viruses within said purified-water-collection tank, comprising an ultra-violet light device and sterilization chamber, said ultra-violet light device having an effective sterilization rate of at least 99.99%, using a wavelength in the range of 253-255 nm;

a hot-water tank that receives purified water from said purified-water tank through gravity drain,

wherein said hot-water tank contains an electrical heating element,

wherein the water within said hot-water tank is within a range of 50-95 Celsius, as controlled by said controller means, and

wherein to provide hot, potable water for a user, said hot, potable water can be pumped by a hot-water pump through an electrically operated valve and an output filter to a common outlet header;

a common outlet valve, disposed at said common outlet header, that can be positioned to allow a user to obtain an output of hot or cold purified water from the system;

an interface for charging and playing an audio device connected thereto;

at least one speaker controlled by the system, said control effectuated through at least one of: a control panel, a remote control, or an audio device application;

thereby producing air-extracted, purified water, which is available for a user to extract via said outlet-release valve, and a system for charging and playing an audio device connected thereto.

4. The system of claim 3 wherein the system further comprises:

at least two speakers, stored within said housing;
a sliding port adapted for iPhone, iPod and any MP3 or MP4 music player; and
a control panel to increase or decrease the volume of the music and or changing the channels remotely with the use of a remote control.

5. The system of claim 4 wherein the port is a sliding port for a portable electronic device and is adapted for use with at least 2 devices selected from: an iPhone, iPod, MP3 player, MP4 player, smart-phone, tablet computer, digital radio, or an audio book player.

6. The system of claim 3 wherein the port for a portable electronic device is adapted for use with at least 1 device

selected from: an MP3 player, an MP4 player, a smart-phone, a tablet computer, a digital radio, or an audio book player.

7. The system of claim 3 wherein the air-extracted, purified water is further cooled to form ice and said ice may thereafter be dispensed from the system.

~~8-34.~~ (canceled)

34. The system of claim 1, further comprising at least one solar panel having a rated capacity of at least 300 W to electrically power the system.

35. The system of claim 7 wherein the ice is combined with at least one flavoring ingredient and at least one alcoholic spirit to dispense a cocktail according to a programmed recipe, wherein the programmed recipe determines the volume of flavoring and spirit dispensed by the system.

36. The system of claim 3, further comprising at least one solar panel having a rated capacity of at least 300 W to electrically power the system.

* * * * *
