



(19) **United States**

(12) **Patent Application Publication**
You

(10) **Pub. No.: US 2011/0145416 A1**
(43) **Pub. Date: Jun. 16, 2011**

(54) **METHOD AND SYSTEM FOR RESOURCE
ADMISSION CONTROL**

Publication Classification

(75) Inventor: **Jianjie You, Shenzhen (CN)**

(51) **Int. Cl.**
G06F 15/173 (2006.01)

(73) Assignee: **ZTE CORPORATION, Shenzhen,
Guangdong (CN)**

(52) **U.S. Cl.** **709/226**

(57) **ABSTRACT**

(21) Appl. No.: **12/995,675**

A method and system for resource admission control are disclosed. During a resource request process in the scenario of customer roaming, a visited location PD-FE sends a modified QoS policy or acceptable QoS policy information to a home location PD-FE when it cannot accept a resource request sent by the home location PD-FE, and the home location PD-FE makes a resource policy decision again and requests resources again according to the modified QoS policy, or when the home location PD-FE receives the next service request, it makes a resource policy decision according to the QoS policy information acceptable to the visited location PD-FE and sends a resource request to the visited location PD-FE. Both resource requests in the two cases are made based on the resource condition of the visited location PD-FE, therefore the visited location PD-FE generally can accept the requests after receiving them, thereby improving the success possibility of resource requests.

(22) PCT Filed: **Jun. 26, 2008**

(86) PCT No.: **PCT/CN08/71453**

§ 371 (c)(1),
(2), (4) Date: **Dec. 2, 2010**

(30) **Foreign Application Priority Data**

Jun. 6, 2008 (CN) 200810067801.4

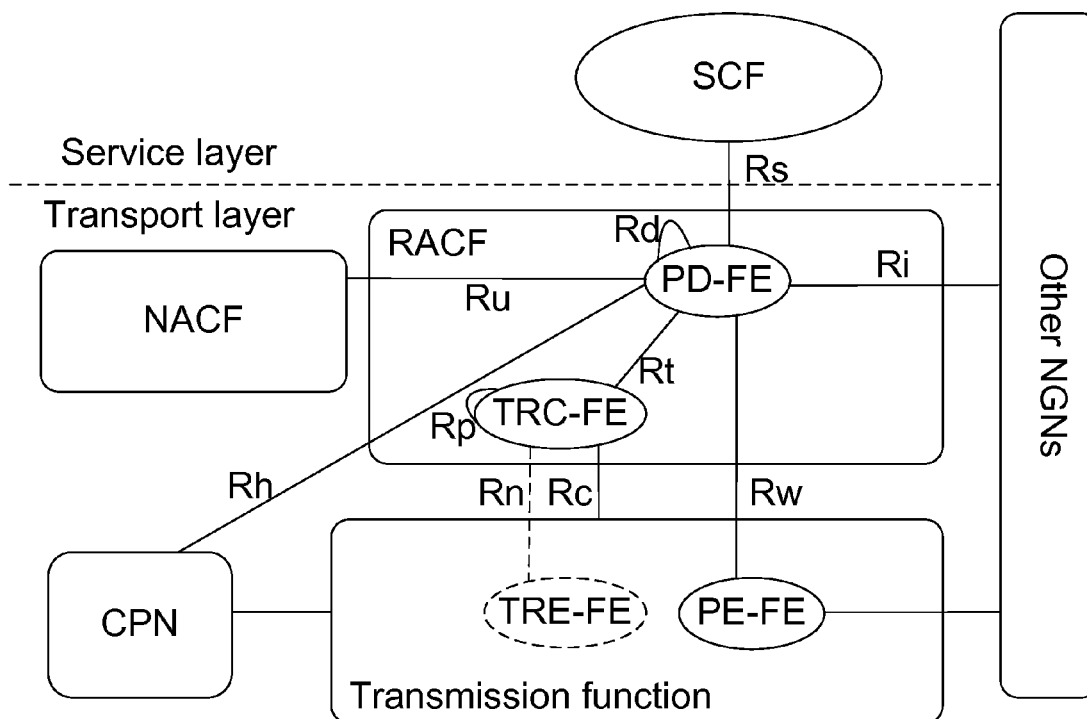


Fig. 1

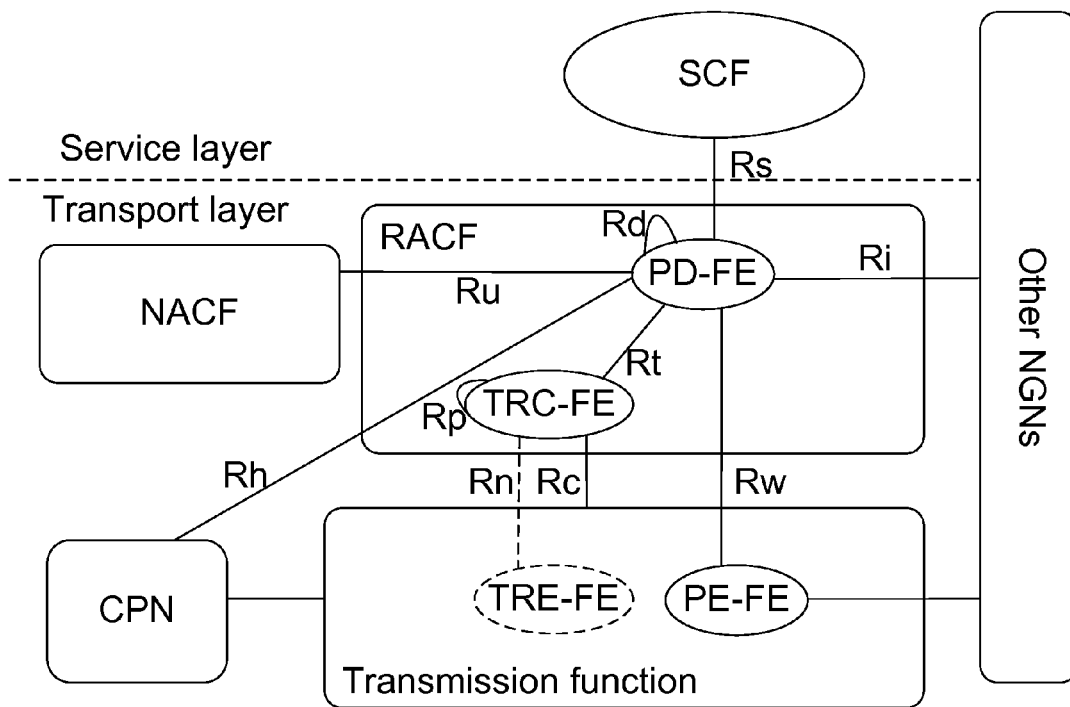
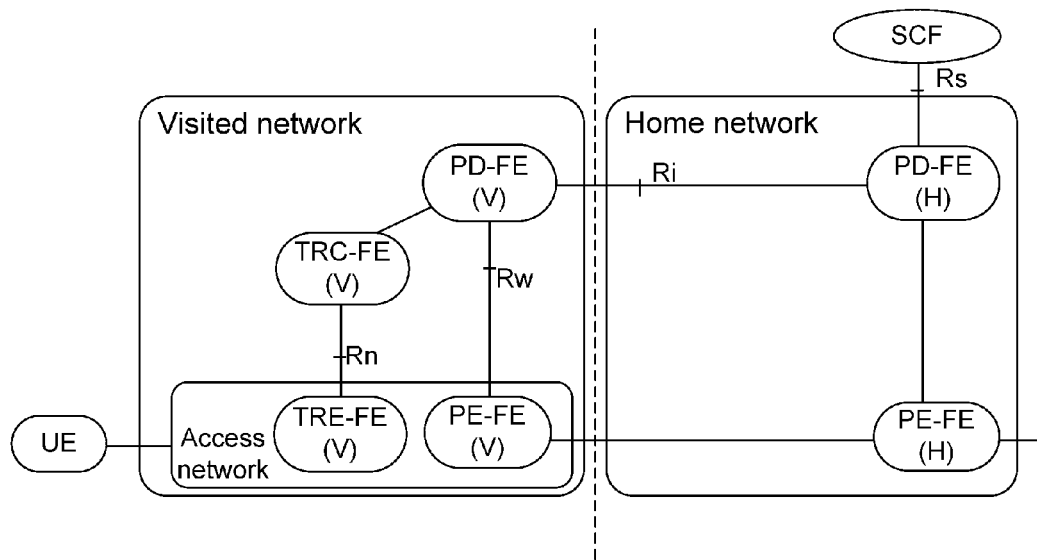


Fig. 2



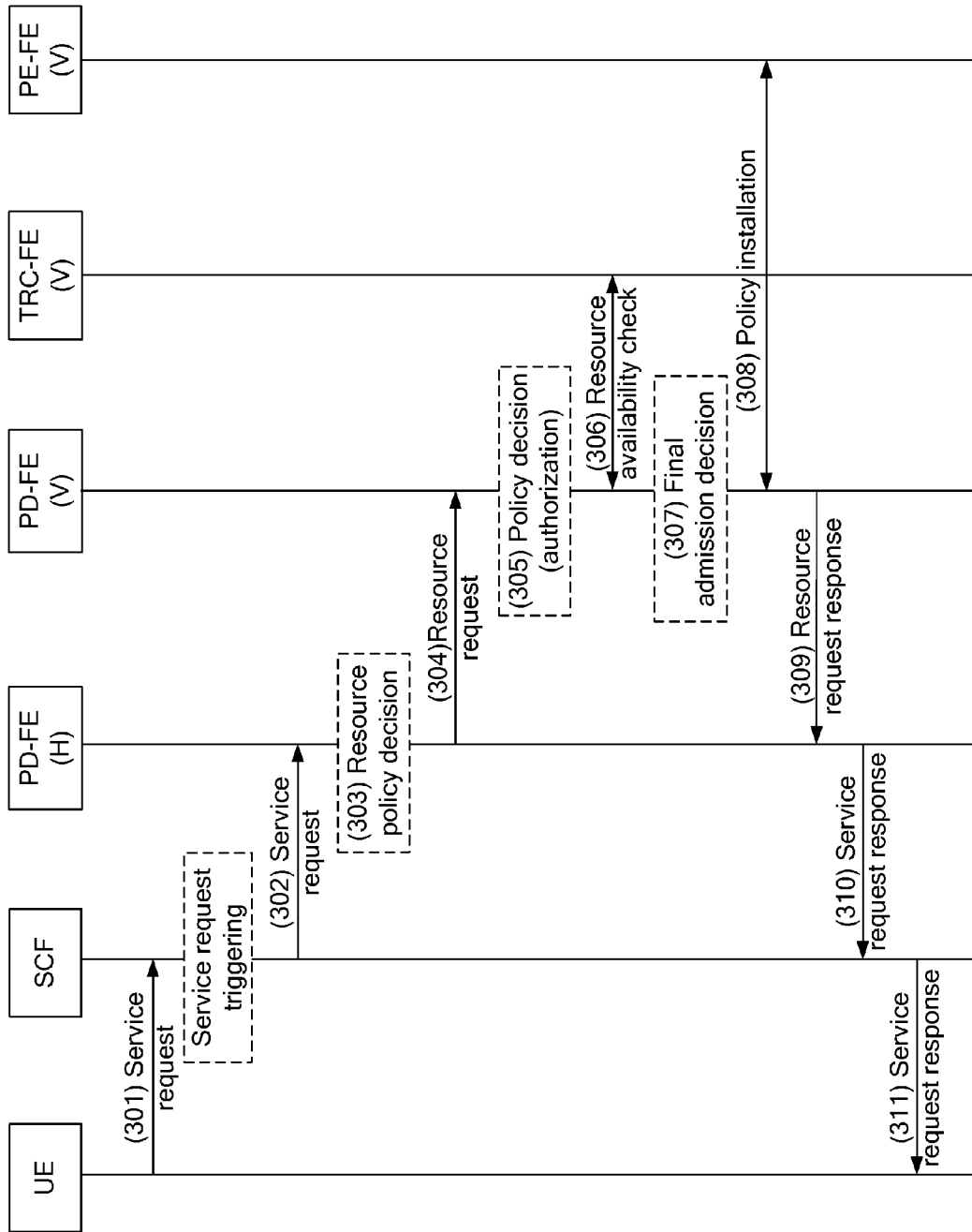


Fig. 3

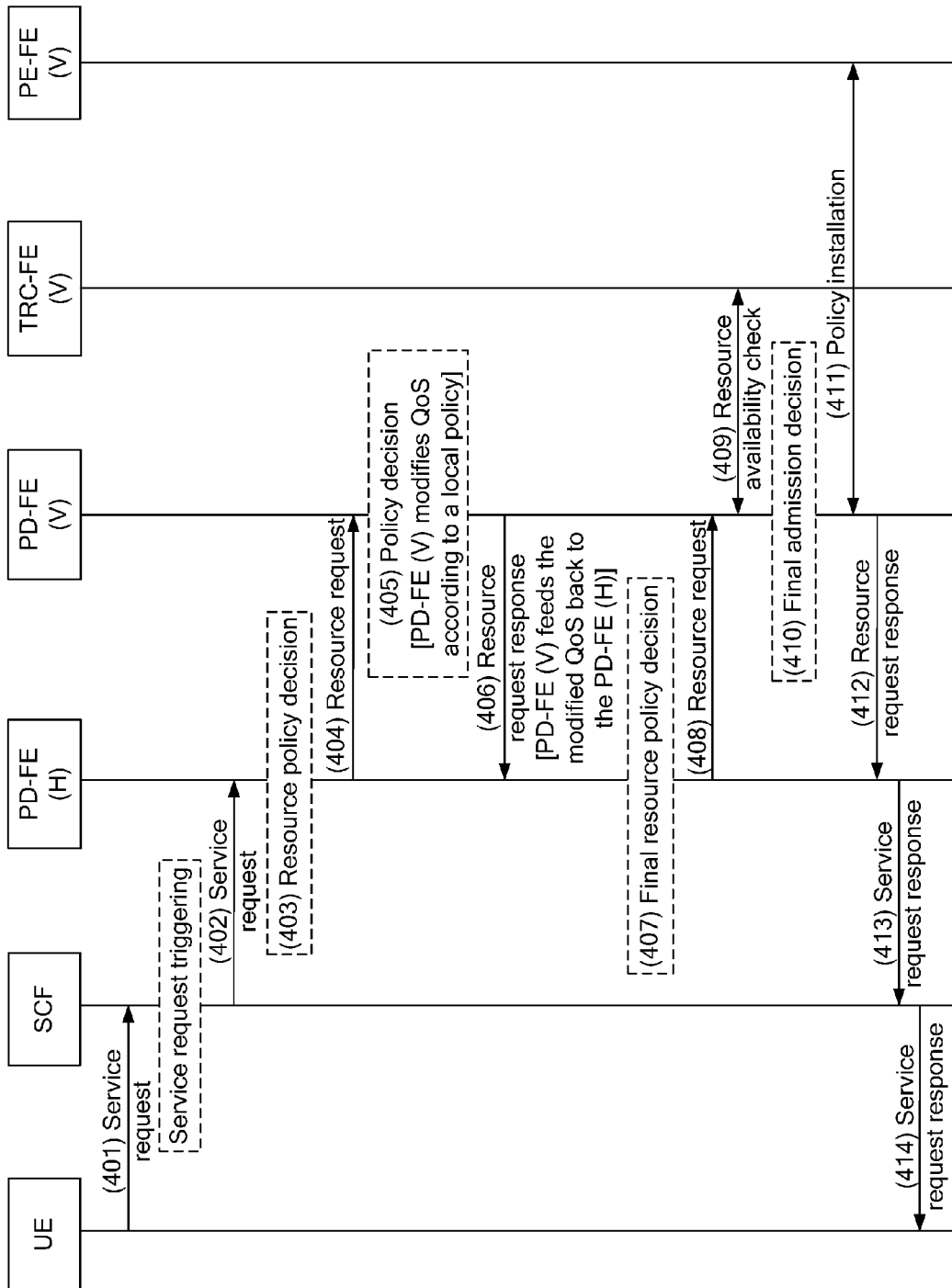


Fig. 4

Fig. 5

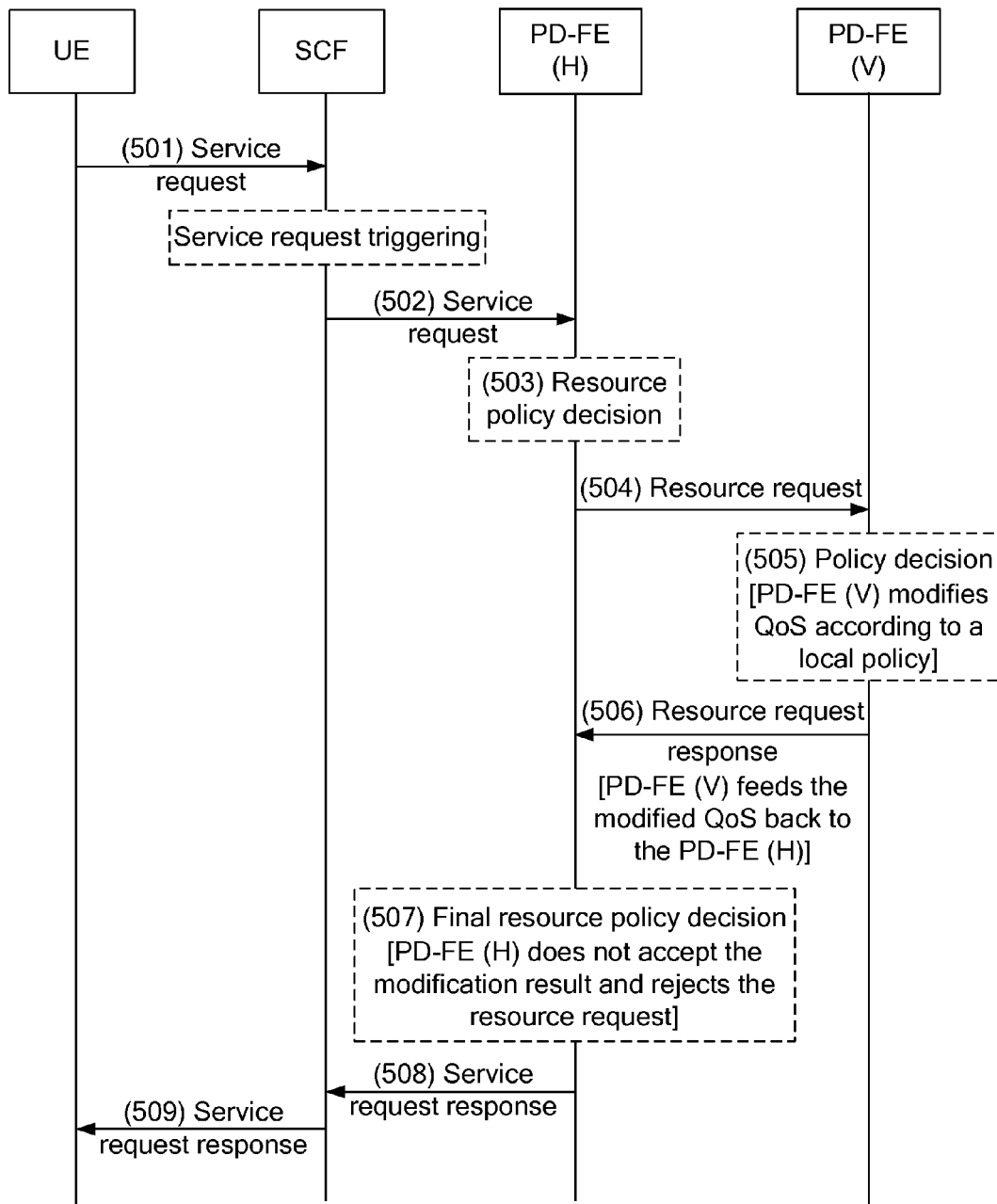
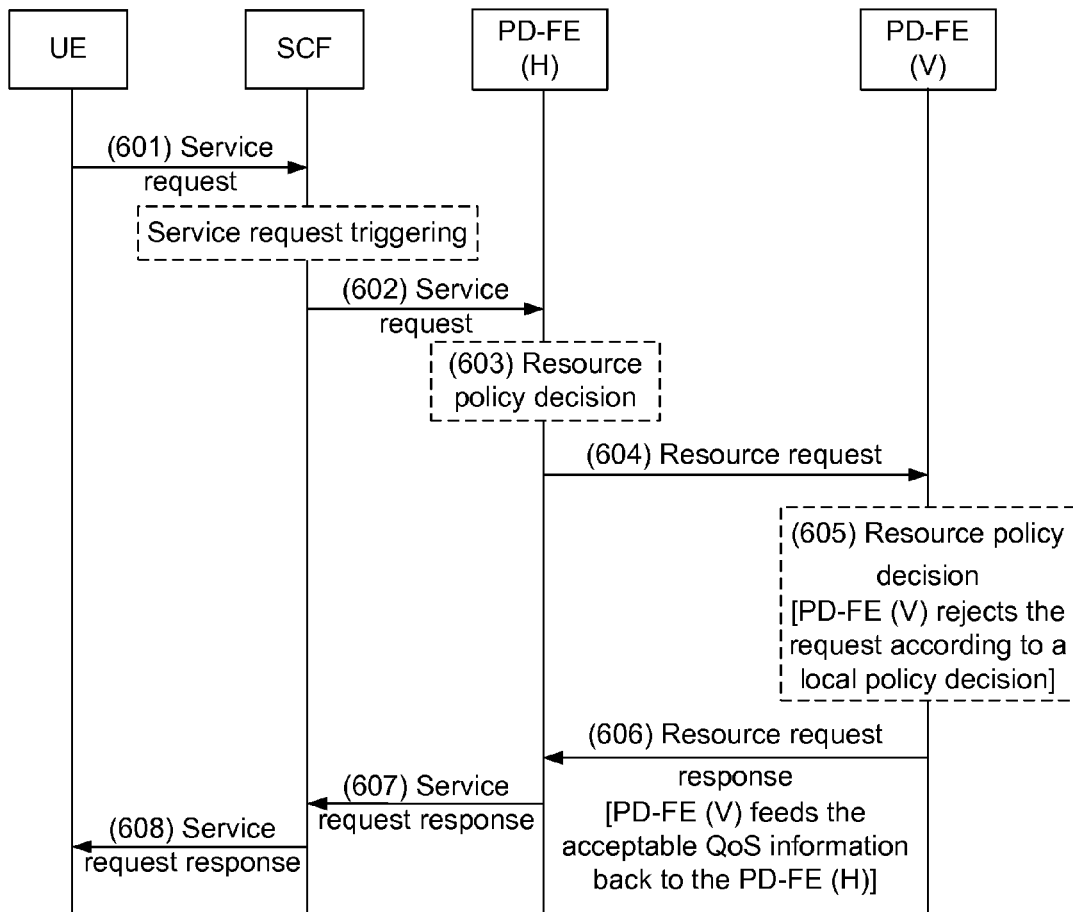


Fig. 6



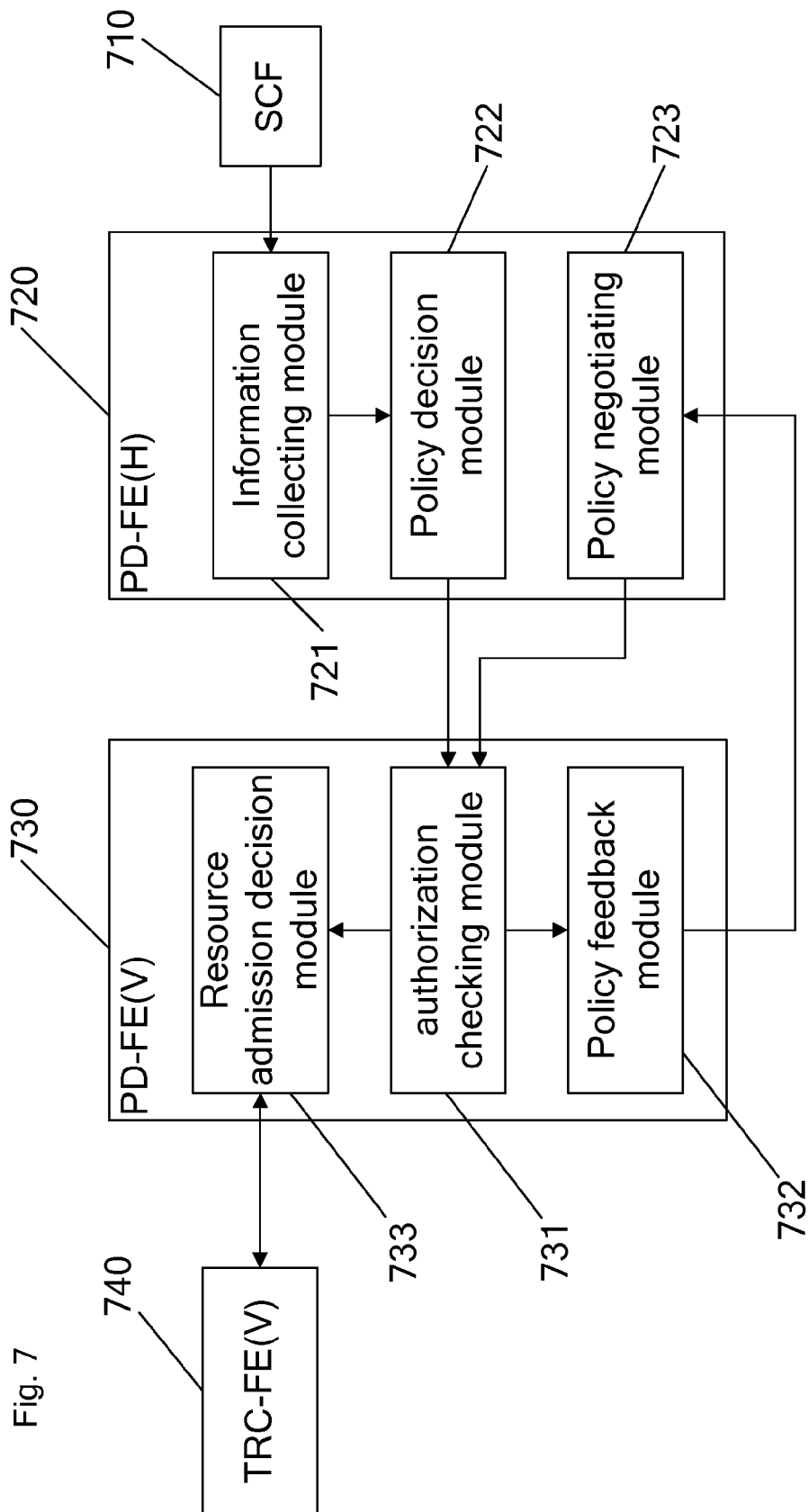


Fig. 7

METHOD AND SYSTEM FOR RESOURCE ADMISSION CONTROL

TECHNICAL FIELD

[0001] The present invention relates to the field of communications, and in particular to a method and system for resource admission control in a roaming scenario.

BACKGROUND

[0002] Next generation network (NGN), which adopts IP and other packet technologies as a bearing network technology to merge fixed-line communications with mobile communications, is a hot research topic in the current field of communication standards. NGN can provide richer multimedia services which require a communication network to provide efficient end-to-end quality of service (QoS), such as emerging services having requirements on real time (e.g. video conferencing, multimedia distance learning and video on demand); meanwhile, the requirements of customers on the QoS of networks become higher and higher, therefore, how to provide end-to-end QoS becomes one of the core problems of NGN.

[0003] ITU-T is the telecommunication standardization sector of international telecommunication union (ITU) which defines standards for resource admission control. The functional frame of resource and admission control functions (RACF) is provided in the latest RACF draft released by ITU-T in May, 2008. As shown in FIG. 1, the RACF is composed of two parts which are a policy decision functional entity (PD-FE) and a transport resource control functional entity (TRC-FE).

[0004] The PD-FE, which relates to neither transmission technologies nor service control functions (SCF), makes a final decision on resource admission control according to a network policy rule, service information provided by the SCF, transport-layer subscription information provided by network attachment control functions (NACF) and a resource availability decision result provided by the TRC-FE.

[0005] The TRC-FE, which has no relationship with services but does with transmission technologies, takes charge of collecting and maintaining transmission network information and resource state information. After receiving a resource request from the PD-FE, the TRC-FE enforces resource-based admission control according to QoS, priority demands, resource availability information and transmission-related policy rules.

[0006] A transport layer consists of a policy enforcement functional entity (PE-FE) and a transport resource enforcement functional entity (TRE-FE). The PE-FE is a packet-to-packet gateway, which may be located between a customer premises network (CM) and an access network, between an access network and a core network, or between different operator networks and serves as a key node to support dynamic QoS control, port address translator control and network address translator (NAT) traversal. The TRE-FE enforces the transport resource policy rule distributed by the TRC-FE, with the range and the function thereof as well as an Rn interface remaining to be studied further, and the study is beyond the research range in R2 stage.

[0007] The PD-FE is a policy decision functional entity, which makes a preliminary QoS resource decision based on media stream session information (acquired from the SCF via an Rs interface) and the transport resource subscription infor-

mation of a customer (acquired from NACF via an Ru interface), then interacts with the TRC-FE to determine whether there is enough QoS resource, and finally makes a final admission decision and distributes the admission decision to the PE-FE to be enforced.

[0008] The TRC-FE mainly takes charge of resource control, monitors resources in a network and collects related information, and makes a response according to specific resource condition when the PD-FE requests resources.

[0009] The PE-FE mainly carries out policy control (e.g. gate control, bandwidth, traffic classification and identification, traffic shaping, second-layer and third-layer QoS mapping and resource usage information collection and report) under the direction of the PD-FE.

[0010] A TRE-FE protocol is currently defined to implement a second-layer policy under the direction of the TRC-FE, with specific function and range undetermined.

[0011] In a roaming scenario, NGN is divided into a home network and a visited network. FIG. 2 is a diagram of RACF in a roaming scenario in existing technologies, in which a home location policy decision functional entity (PD-FE (H)) in a home network exchanges information with a visited location policy decision functional entity (PD-FE (V)) in a visited network via an Ri interface, and the SCF interacts with the PD-FE (H). A user equipment (UE) accesses the network at the visited location to request to use the SCF provided by the home location.

[0012] Currently, in a roaming scenario, the problem that how a PD-FE (H) in a home network cooperates and coordinates with a PD-FE (V) in a visited network to make a QoS policy remains to be solved.

[0013] FIG. 3 is a flowchart of resource admission control in a roaming scenario in existing technologies, including the following steps:

[0014] **301**, a UE initiates a service request and sends a request message to SCF to trigger the SCF to generate a resource initialization request;

[0015] **302**, the SCF sends a service request message to a PD-FE (H);

[0016] **303**, the PD-FE (H) first carries out an authorization check on the service request, including validating whether the requested QoS resource is accordant with a local operator policy rule and customer subscription information that is from NACF; if the authorization check is passed, the PD-FE (H) makes a resource policy decision on the service request message according to the customer subscription information, the local operator policy rule and so on, and generates a resource request message;

[0017] **304**, the PD-FE (H) sends a PD-FE (V) a resource request message in which QoS policy information made by the PD-FE (H) is contained;

[0018] **305**, the PD-FE (V) carries out an authorization check on the resource request, including determining whether the resource request is accordant with a local operator policy rule, if yes, the PD-FE (V) accepts the request and proceeds to the next step, otherwise, it rejects the request;

[0019] **306**, the PD-FE (V) interacts with a TRC-FE (V) to check resource availability information;

[0020] **307**, the PD-FE (V) makes a final resource admission decision according to the QoS policy information requested by the PD-FE (H), the resource availability information which is used as a response from the TRC-FE (V) and other information;

[0021] 308, the PD-FE (V) distributes a policy rule to a

PE-FE (V), and the PE-FE (V) performs a policy installation;

[0022] 309, the PD-FE (V) sends a resource request response message to the PD-FE (H)

[0023] 310, the PD-FE (H) sends a service request response message to the SCF;

[0024] 311, the SCF sends a service request response message to the UE.

[0025] In the step 305 of existing technologies, the PD-FE (V) passively processes the resource request message from the PD-FE (H), that is, since there is no negotiation mechanism between the PD-FE (V) and the PD-FE (H), the PD-FE (V) only accepts or rejects the resource request message, generally making no modification on the QoS policy information contained in the received resource request message, thus lowering the success possibility of resource requests.

SUMMARY

[0026] The present invention aims to provide a method and system for resource admission control, which adds a negotiation mechanism between a visited location PD-FE and a home location PD-FE, so as to improve the success possibility of resource requests.

[0027] In order to solve the above technical problem, the present invention provides a method for resource admission control, which comprises: during a resource request process in the scenario of customer roaming, after receiving a resource request message from a home location policy decision functional entity (PD-FE), a visited location PD-FE carries out an authorization check on the message, if the check is not passed, the visited location PD-FE feeds its acceptable quality of service (QoS) policy information or a modified QoS policy back to the home location PD-FE.

[0028] Further, before the visited location PD-FE receives the resource request message from the home location PD-FE, the method may further include:

[0029] the home location PD-FE may receive a service request message from service control functions (SCF), make a resource policy decision according to the service request message, a local operator policy and customer subscription information, and send the visited location PD-FE a resource request message in which a QoS policy made by the home location PD-FE is contained.

[0030] Further, after receiving a service request message from the SCF, the home location PD-FE may first carry out an authorization check on the service request message, if the check is passed, the home location PD-FE may make a resource policy decision and perform the step of sending a resource request message; if the check is not passed, the home location PD-FE may send a service request response message to the SCF to reject the service request.

[0031] Further, the process that the visited location PD-FE feeds its acceptable QoS policy information back to the home location PD-FE may be that: the visited location PD-FE may send the home location PD-FE a resource request rejection message in which the QoS policy information acceptable to the visited location PD-FE is contained, and after receiving the resource request rejection message, the home location PD-FE may send a service request response message to the SCF to reject the service request.

[0032] Further, after receiving the resource request rejection message from the visited location PD-FE, the home location PD-FE may further record the QoS policy information acceptable to the visited location PD-FE; after receiving

the next service request message from the SCF, the home location PD-FE may make a resource policy decision according to the recorded QoS policy information acceptable to the visited location PD-FE, local operator policy information and customer subscription information, generate a resource request message, and send the resource request message to the visited location PD-FE.

[0033] Further, the process that the visited location PD-FE feeds a modified QoS policy back to the home location PD-FE may be that: the visited location PD-FE may modify the QoS policy in the resource request message according to a local operator policy, and send the home location PD-FE a resource request response message in which the modified QoS policy is contained.

[0034] Further, after receiving the resource request response message from the visited location PD-FE, the home location PD-FE may check whether the QoS policy modified by the visited location PD-FE is acceptable, if yes, the home location PD-FE may make a final resource policy decision according to the modified QoS policy, customer subscription information and a local operator policy, generate a final resource request message, and send the final resource request message to the visited location PD-FE to request resources; if no, the home location PD-FE may send a service request response message to the SCF to reject the service request.

[0035] Further, after receiving the final resource request message from the home location PD-FE, the visited location PD-FE may carry out an authorization check on the final resource request message, if the check is passed, the visited location PD-FE may perform the following steps:

[0036] interacting with a visited location transport resource control functional entity (TRC-FE) to check resource availability information;

[0037] making a final resource admission decision according to the QoS policy in the final resource request message and the resource availability information which is used as a response from the visited location TRC-FE;

[0038] distributing a policy rule to a visited location policy enforcement functional entity (PE-FE) which implements a policy installation; and

[0039] sending a resource request response message to the home location PD-FE.

[0040] The present invention also provides a resource admission control system, which includes a home location PD-FE and a visited location PD-FE, wherein the home location PD-FE includes an information collecting module, a policy decision module and a policy negotiating module, the visited location PD-FE includes an authorization checking module, a policy feedback module and a resource admission decision module, wherein

[0041] the information collecting module is used for receiving a service request message from SCF and acquiring customer subscription information and a local operator policy;

[0042] the policy decision module is used for making an initial resource policy decision according to the service request message received by the information collecting module and the acquired customer subscription information and local operator policy, and sending the authorization checking module of the visited location PD-FE a resource request message in which a QoS policy is contained;

[0043] the authorization checking module is used for carrying out an authorization check on the resource request message after receiving the resource request message from

the policy decision module, sending a check failure message to the policy feedback module if the check is not passed, and sending a check success message to the resource admission decision module if the check is passed;

[0044] the policy feedback module is used for feeding QoS policy information acceptable to the visited location PD-FE or a modified QoS policy back to the policy negotiating module of the home location PD-FE after receiving the check failure message from the authorization checking module;

[0045] the policy negotiating module is used for receiving and processing the QoS policy information acceptable to the visited location PD-FE or the modified QoS policy which is fed back by the policy feedback module; and

[0046] the resource admission decision module is used for interacting with a visited location TRC-FE to make a resource admission decision after receiving the check success message.

[0047] Further, the process that the policy feedback module of the visited location PD-FE feeds QoS policy information acceptable to the visited location PD-FE back to the home location PD-FE may be that: the policy feedback module of the visited location PD-FE may send the home location PD-FE a resource request rejection message in which the QoS policy information acceptable to the visited location PD-FE is contained; and

[0048] after receiving the QoS policy information acceptable to the visited location PD-FE from the policy feedback module, the policy negotiating module of the home location PD-FE may send a service request response message to the SCF to reject the service request.

[0049] Further, after receiving the QoS policy information acceptable to the visited location PD-FE from the policy feedback module, the policy negotiating module of the home location PD-FE may further send the QoS policy information acceptable to the visited location PD-FE to the information collecting module to be stored; and

[0050] when processing the next service request, the policy decision module of the home location PD-FE may make a resource policy decision according to the recorded QoS policy information acceptable to the visited location PD-FE, a local operator policy information and customer subscription information, and send a resource request message to the visited location PD-FE.

[0051] Further, the process that the policy feedback module of the visited location PD-FE feeds a modified QoS policy back to the home location PD-FE may be that: the policy feedback module of the visited location PD-FE may modify the QoS policy in the resource request message according to a local operator policy and send the policy negotiating module of the home location PD-FE a resource request response message in which the modified QoS policy is contained; and

[0052] after receiving the resource request response message from the policy feedback module, the policy negotiating module may check whether the modified QoS policy is acceptable, if yes, the policy negotiating module may make a final resource policy decision according to the modified QoS policy, customer subscription information and the local operator policy, generate a final resource request message and send the generated final resource request message to the visited location PD-FE to request resources; if no, the policy negotiating module may send a service request response message to the SCF to reject the service request.

[0053] The present invention has the following advantages: when a visited location PD-FE cannot receive a resource request from a home location PD-FE, it sends a modified QoS policy or its acceptable QoS policy information to the home location PD-FE, and the home location PD-FE makes a resource policy decision again according to the modified QoS policy and requests resources again, or when the home location PD-FE receives the next service request, it makes a resource policy decision by referring to the QoS policy information acceptable to the visited location PD-FE and sends a resource request to the visited location PD-FE. Both resource requests in the two cases are made based on the resource condition of the visited location PD-FE, therefore the visited location PD-FE generally can accept the resource requests after receiving them, thereby improving the success possibility of resource requests.

BRIEF DESCRIPTION OF THE DRAWINGS

[0054] FIG. 1 is a diagram of the RACF functional architecture of ITU-T in existing technologies;

[0055] FIG. 2 is a diagram of RACF in a roaming scenario in existing technologies;

[0056] FIG. 3 is a flowchart of resource admission control in a roaming scenario in existing technologies;

[0057] FIG. 4 is a flowchart of a resource request in a roaming scenario according to the first embodiment of the present invention;

[0058] FIG. 5 is a flowchart of the rejection of a resource request by a home location in a roaming scenario according to the second embodiment of the present invention;

[0059] FIG. 6 is a flowchart of the rejection of a resource request by a visited location in a roaming scenario according to the third embodiment of the present invention; and

[0060] FIG. 7 is a structural diagram illustrating one embodiment of a resource admission control system of the present invention.

DETAILED DESCRIPTION

[0061] The present invention solves the problem of making an across-domain QoS policy decision in a roaming scenario by realizing an information interaction between a home location policy decision functional entity and a visited location policy decision functional entity. The method includes a negotiation process implemented between a visited location policy decision functional entity and a home location policy decision functional entity, aiming at a QoS policy: the visited location policy decision functional entity may modify the QoS policy from the home location policy decision functional entity according to its own local policy and feeds the modification result back to the home location policy decision functional entity, and the home location policy decision functional entity makes a final policy decision according to its own local policy and other information, i.e. rejecting or accepting the modification result; or the visited location policy decision functional entity feeds its acceptable QoS policy information back to the home location policy decision functional entity, so that the home location policy decision functional entity can make a policy decision by reference to the QoS policy information.

[0062] The present invention is described in detail in combination with the accompanying drawings and specific embodiments, so that those skilled in the art can sufficiently understand and implement the present invention, but it should be noted that the embodiments below are not limitations to the present invention.

Embodiment 1

[0063] FIG. 4 is a flowchart of a resource request in a roaming scenario according to the present invention; the resource request flow, which illustrates a negotiation process between a PD-FE (H) and a PD-FE (V) through an information interaction between the PD-FE (H) and the PD-FE (V), increasing the success possibility of resource requests, includes the following steps:

[0064] 401, a UE initiates a service request and sends a request message to SCF to trigger the SCF to generate a resource initialization request;

[0065] 402, the SCF sends a service request message to a PD-FE (H);

[0066] 403, the PD-FE (H) first carries out an authorization check on the service request, including validating whether the requested QoS resource is accordant with a local operator policy rule and customer subscription information that is from NACF; if the authorization check is passed, the PD-FE (H) makes a resource policy decision on the service request message according to the customer subscription information, the local operator policy rule and so on; if the authorization check is not passed, the PD-FE (H) sends a service request response message to the SCF to reject the service request;

[0067] in this step, the PD-FE (H) interacts with the NACF to query the customer subscription information to validate whether the resource request in the service request message is accordant with the customer subscription information;

[0068] 404, the PD-FE (H) sends a PD-FE (V) a resource request message in which a QoS policy made by the PD-FE (H) is contained;

[0069] 405, the PD-FE (V) carries out an authorization check on the resource request, including validating whether the request is accordant with a local operator policy rule; if yes, the PD-FE (V) accepts the request and interacts with a TRC-FE (V) to make a resource admission decision; if no, the PD-FE (V) modifies the QoS policy in the resource request message based on the local operator policy rule;

[0070] 406, the PD-FE (V) sends the PD-FE (H) a resource request response message in which the QoS policy modified by the PD-FE (V) is contained;

[0071] 407, the PD-FE (H) makes a final resource policy decision according to the modified QoS policy fed back by the PD-FE (V), the customer subscription information and the local operator policy rule;

[0072] 408, the PD-FE (H) sends the PD-FE (V) a resource request message in which a final QoS policy made by the PD-FE (H) is contained;

[0073] 409, the PD-FE (V) interacts with the TRC-FE (V) to check resource availability information;

[0074] 410, the PD-FE (V) makes a final resource admission decision according to the QoS policy requested by the PD-FE (H), the resource availability information which is used as a response from the TRC-FE (V) and other information;

[0075] 411 the PD-FE (V) distributes a policy rule to a PE-FE (V) and the PE-FE (V) enforces a policy installation;

[0076] 412, the PD-FE (V) sends a resource request response message to the PD-FE (H);

[0077] 413, the PD-FE (H) sends a service request response message to the SCF; and

[0078] 414, the SCF sends a service request response message to the UE.

Embodiment 2

[0079] FIG. 5 is a flowchart of the rejection of a resource request by a PD-FE (H) in a roaming scenario according to the present invention; this flow, which illustrates a process that a PD-FE (V) modifies a QoS policy from a PD-FE (H) according to a local policy and feeds the modified QoS policy back to the PD-FE (H), but the PD-FE (H) does not accept the modification made by the PD-FE (V), includes the following steps:

[0080] 501, a UE initiates a service request and sends a request message to SCF to trigger the SCF to generate a resource initialization request;

[0081] 502, the SCF sends a service request message to a PD-FE (H);

[0082] 503, the PD-FE (H) first carries out an authorization check on the service request, including validating whether the requested QoS resource is accordant with a local operator policy rule and customer subscription information that is from NACF; if the authorization check is passed, the PD-FE (H) makes a resource policy decision on the service request message according to the customer subscription information, the local operator policy rule and so on; if the authorization check is not passed, the PD-FE (H) sends a service request response message to the SCF to reject the service request;

[0083] in this step, the PD-FE (H) interacts with the NACF to query the customer subscription information to validate whether the resource request in the service request message is accordant with the customer subscription information;

[0084] 504, the PD-FE (H) sends a PD-FE (V) a resource request message in which a QoS policy made by the PD-FE (H) is contained;

[0085] 505, the PD-FE (V) carries out an authorization check on the resource request, including validating whether the request is accordant with a local operator policy rule; if yes, the PD-FE (V) accepts the request and interacts with a TRC-FE (V) to make a resource admission decision; if no, the PD-FE (V) modifies the QoS policy in the resource request message based on the local operator policy rule;

[0086] 506, the PD-FE (V) sends the PD-FE (H) a resource request response message in which the QoS policy modified by the PD-FE (V) is contained;

[0087] 507, the PD-FE (H) makes a final resource policy decision according to the modified QoS policy fed back by the PD-FE (V), the customer subscription information and the local operator policy rule, not accepting the modification made by the PD-FE (V) and rejecting the service request;

[0088] 508, the PD-FE (H) sends a service request response message to the SCF; and

[0089] 509, the SCF sends a service request response message to the UE.

Embodiment 3

[0090] FIG. 6 is a flowchart of the rejection of a resource request by a PD-FE (V) in a roaming scenario according to the present invention; this flow, which illustrates a process that a PD-FE (V) feeds its acceptable QoS policy information back to a PD-FE (H) after it rejects a resource request from the PD-FE (H), so as to improve the success possibility of initiating the next resource request by the PD-FE (H), includes the following steps:

[0091] 601, a UE initiates a service request and sends a request message to SCF to trigger the SCF to generate a resource initialization request;

[0092] 602, the SCF sends a service request message to a PD-FE (H);

[0093] 603, the PD-FE (H) first carries out an authorization check on the service request, including validating whether the requested QoS resource is accordant with a local operator policy rule and customer subscription information that is from NACF; if the authorization check is passed, the PD-FE (H) makes a resource policy decision on the service request message according to the customer subscription information, the local operator policy rule and so on; if the authorization check is not passed, the PD-FE (H) sends a service request response message to the SCF to reject the service request;

[0094] in this step, the PD-FE (H) interacts with the NACF to query the customer subscription information to validate whether the resource request in the service request message is accordant with the customer subscription information;

[0095] 604, the PD-FE (H) sends a PD-FE (V) a resource request message in which a QoS policy made by the PD-FE (H) is contained;

[0096] 605, the PD-FE (V) carries out an authorization check on the resource request and determines not to accept the request according to a local operator policy rule;

[0097] 606, the PD-FE (V) sends a resource request response message to the PD-FE (H) to reject the request, wherein QoS policy information acceptable to the PD-FE (V) is contained in the message;

[0098] 607, the PD-FE (H) sends a service request response message to the SCF to reject the service request; and

[0099] 608, the SCF sends a service request response message to the UE to reject the service request.

[0100] In the step 607, after receiving the resource request response message from the PD-FE (V), the PD-FE (H) may further record the QoS policy information acceptable to the PD-FE (V) contained in the response message. When the PD-FE (H) makes a resource policy decision after receiving the next service request message from the SCF, it makes the decision by referring to the recorded QoS policy information acceptable to the PD-FE (V) to make a resource request acceptable to the PD-FE (V), or when the PD-FE (H) cannot make a resource request satisfying the QoS policy acceptable to the PD-FE (V), it directly sends a service request response message to the SCF to reject the service request, thereby improving the success possibility and running efficiency of the resource request.

[0101] FIG. 7 is a structural diagram illustrating one embodiment of a resource admission control system of the present invention. As shown in FIG. 7, the system includes: a PD-FE (V) 730 which includes an authorization checking module 731, a policy feedback module 732 and a resource admission decision module; and a PD-FE (H) 720 which includes an information collecting module 721, a policy decision module 722 and a policy negotiating module 723; wherein

[0102] the information collecting module 721 is used for receiving a service request message from SCF 710 and acquiring customer subscription information and a local operator policy;

[0103] the policy decision module 722 is used for making an initial resource policy decision according to the service request message received by the information collecting module 721 and the acquired customer subscription information and local operator policy, and sending the authorization

checking module 731 of the PD-FE (V) 730 a resource request message in which an established QoS policy is contained;

[0104] the authorization checking module 731 is used for carrying out an authorization check on the resource request message after receiving the resource request message from the policy decision module 722, sending a check failure message to the policy feedback module 732 if the check is not passed, and sending a check success message to the resource admission decision module 733 if the check is passed;

[0105] the policy feedback module 732 is used for feeding QoS policy information acceptable to the PD-FE (V) 730 or a modified QoS policy back to the policy negotiating module 723 of the PD-FE (H) 720 after receiving the check failure message from the authorization checking module 731;

[0106] the policy negotiating module 723 is used for receiving and processing the QoS policy information acceptable to the PD-FE (V) 730 or the modified QoS policy which is fed back by the policy feedback module 732; and

[0107] the resource admission decision module 733 is used for interacting with a TRC-FE (V) 740 to make a resource admission decision after receiving the check success message.

[0108] Wherein the process that the policy feedback module 732 of the PD-FE (V) 730 feeds QoS policy information acceptable to the PD-FE (V) 730 back to the policy negotiating module 723 of the PD-FE (H) 720 is that: the policy feedback module 732 sends the policy negotiating module 723 a resource request rejection message in which the QoS policy information acceptable to the PD-FE (V) 730 is contained; after receiving the QoS policy information acceptable to the PD-FE (V) 730 from the policy feedback module 732, the policy negotiating module 723 sends a service request response message to the SCF 710 to reject the service request.

[0109] The process that the policy feedback module 732 of the PD-FE (V) 730 feeds a modified QoS policy back to the policy negotiating module 723 of the PD-FE (H) 720 is that: the policy feedback module 732 modifies the QoS policy in the resource request message according to the operator policy of the visited location, and sends the policy negotiating module 723 a resource request response message in which the modified QoS policy is contained; and after receiving the resource request response message from the policy feedback module 732, the policy negotiating module 723 checks whether the modified QoS policy contained in the message is acceptable, if yes, the policy negotiating module 723 makes a final resource policy decision according to the modified QoS policy, the customer subscription information and the local operator policy, and generates a final resource request message and sends the generated final resource request message to the PD-FE (V) 730 to request resources; if no, the policy negotiating module 723 sends a service request response message to the SCF 710 to reject the service request.

[0110] Further, after receiving the QoS policy information acceptable to the PD-FE (V) 730 from the policy feedback module 732, the policy negotiating module 723 sends the QoS policy information acceptable to the PD-FE (V) 730 to the information collecting module 721 to be stored; when the policy decision module 723 receives a service request again, it makes a resource policy decision according to the recorded QoS policy information acceptable to the PD-FE (V) 730, the local operator policy information and the customer subscription information, and sends the resource request message to the PD-FE (V) 730.

[0111] The present invention solves the problem of making an across-domain policy decision in a roaming scenario by realizing an information interaction between a PD-FE (H) and a PD-FE (V).

[0112] The above mentioned is only preferred embodiments for fully illustrating the present invention, but is not limitation to the present invention, it should be understood that the equivalent substitutes and variations devised by those skilled in the art based on the present invention shall be within the protection scope of the present invention, and the protection scope of the present invention shall be determined by the terms of the claims.

1. A method for resource admission control, comprising: during a resource request process in the scenario of customer roaming, after receiving a resource request message from a home location policy decision functional entity (PD-FE), a visited location PD-FE carrying out an authorization check on the message, if the check is not passed, the visited location PD-FE feeding its acceptable quality of service (QoS) policy information or a modified QoS policy back to the home location PD-FE.

2. The method according to claim 1, before the visited location PD-FE receives the resource request message from the home location PD-FE, the method further comprising:

the home location PD-FE receiving a service request message from service control functions (SCF), making a resource policy decision according to the service request message, a local operator policy and customer subscription information, and sending the visited location PD-FE a resource request message in which a QoS policy made by the home location PD-FE is contained.

3. The method according to claim 2, wherein after receiving a service request message from the SCF, the home location PD-FE first carries out an authorization check on the service request message, if the check is passed, the home location PD-FE makes a resource policy decision and performs the step of sending a resource request message; if the check is not passed, the home location PD-FE sends a service request response message to the SCF to reject the service request.

4. The method according to claim 1, wherein the process that the visited location PD-FE feeds its acceptable QoS policy information back to the home location PD-FE is that: the visited location PD-FE sends the home location PD-FE a resource request rejection message in which the QoS policy information acceptable to the visited location PD-FE is contained, and after receiving the resource request rejection message, the home location PD-FE sends a service request response message to the SCF to reject the service request.

5. The method according to claim 4, wherein after receiving the resource request rejection message from the visited location PD-FE, the home location PD-FE further records the QoS policy information acceptable to the visited location PD-FE; after receiving the next service request message from the SCF, the home location PD-FE makes a resource policy decision according to the recorded QoS policy information acceptable to the visited location PD-FE, local operator policy information and customer subscription information, generates a resource request message, and sends the resource request message to the visited location PD-FE.

6. The method according to claim 1, wherein the process that the visited location PD-FE feeds a modified QoS policy back to the home location PD-FE is that: the visited location PD-FE modifies the QoS policy in the resource request mes-

sage according to a local operator policy, and sends the home location PD-FE a resource request response message in which the modified QoS policy is contained.

7. The method according to claim 6, wherein after receiving the resource request response message from the visited location PD-FE, the home location PD-FE checks whether the QoS policy modified by the visited location PD-FE is acceptable, if yes, the home location PD-FE makes a final resource policy decision according to the modified QoS policy, customer subscription information and a local operator policy, generates a final resource request message, and sends the final resource request message to the visited location PD-FE to request resources; if no, the home location PD-FE sends a service request response message to the SCF to reject the service request.

8. The method according to claim 7, wherein after receiving the final resource request message from the home location PD-FE, the visited location PD-FE carries out an authorization check on the final resource request message, if the check is passed, the visited location PD-FE performs the following steps:

interacting with a visited location transport resource control functional entity (TRC-FE) to check resource availability information;

making a final resource admission decision according to the QoS policy in the final resource request message and the resource availability information which is used as a response from the visited location TRC-FE;

distributing a policy rule to a visited location policy enforcement functional entity (PE-FE) which implements a policy installation; and

sending a resource request response message to the home location PD-FE.

9. A resource admission control system, including a home location PD-FE and a visited location PD-FE; the home location PD-FE further including an information collecting module, a policy decision module and a policy negotiating module, the visited location PD-FE further including an authorization checking module, a policy feedback module and a resource admission decision module, wherein

the information collecting module being used for receiving a service request message from SCF and acquiring customer subscription information and a local operator policy;

the policy decision module being used for making an initial resource policy decision according to the service request message received by the information collecting module and the acquired customer subscription information and local operator policy, and sending the authorization checking module of the visited location PD-FE a resource request message in which a QoS policy is contained;

the authorization checking module being used for carrying out an authorization check on the resource request message after receiving the resource request message from the policy decision module, sending a check failure message to the policy feedback module if the check is not passed, and sending a check success message to the resource admission decision module if the check is passed;

the policy feedback module being used for feeding QoS policy information acceptable to the visited location PD-FE or a modified QoS policy back to the policy

negotiating module of the home location PD-FE after receiving the check failure message from the authorization checking module;

the policy negotiating module being used for receiving and processing the QoS policy information acceptable to the visited location PD-FE or the modified QoS policy which is fed back by the policy feedback module; and the resource admission decision module being used for interacting with a visited location TRC-FE to make a resource admission decision after receiving the check success message.

10. The system according to claim **9**, wherein the process that the policy feedback module of the visited location PD-FE feeds QoS policy information acceptable to the visited location PD-FE back to the home location PD-FE is that: the policy feedback module of the visited location PD-FE sends the home location PD-FE a resource request rejection message in which the QoS policy information acceptable to the visited location PD-FE is contained; and

after receiving the QoS policy information acceptable to the visited location PD-FE from the policy feedback module, the policy negotiating module of the home location PD-FE sends a service request response message to the SCF to reject the service request.

11. The system according to claim **10**, wherein after receiving the QoS policy information acceptable to the visited location PD-FE from the policy feedback module, the policy negotiating module of the home location PD-FE further sends the QoS policy information acceptable to the visited location PD-FE to the information collecting module to be stored; and

when processing the next service request, the policy decision module of the home location PD-FE makes a resource policy decision according to the recorded QoS policy information acceptable to the visited location PD-FE, a local operator policy information and customer subscription information, and sends a resource request message to the visited location PD-FE.

12. The system according to claim **9**, wherein the process that the policy feedback module of the visited location PD-FE feeds a modified QoS policy back to the home location PD-FE is that: the policy feedback module of the visited location PD-FE modifies the QoS policy in the resource request message according to a local operator policy and sends the policy negotiating module of the home location PD-FE a resource request response message in which the modified QoS policy is contained; and

after receiving the resource request response message from the policy feedback module, the policy negotiating module checks whether the modified QoS policy is acceptable, if yes, the policy negotiating module makes a final resource policy decision according to the modified QoS policy, customer subscription information and the local operator policy, generates a final resource request message and sends the generated final resource request message to the visited location PD-FE to request resources; if no, the policy negotiating module sends a service request response message to the SCF to reject the service request.

* * * * *