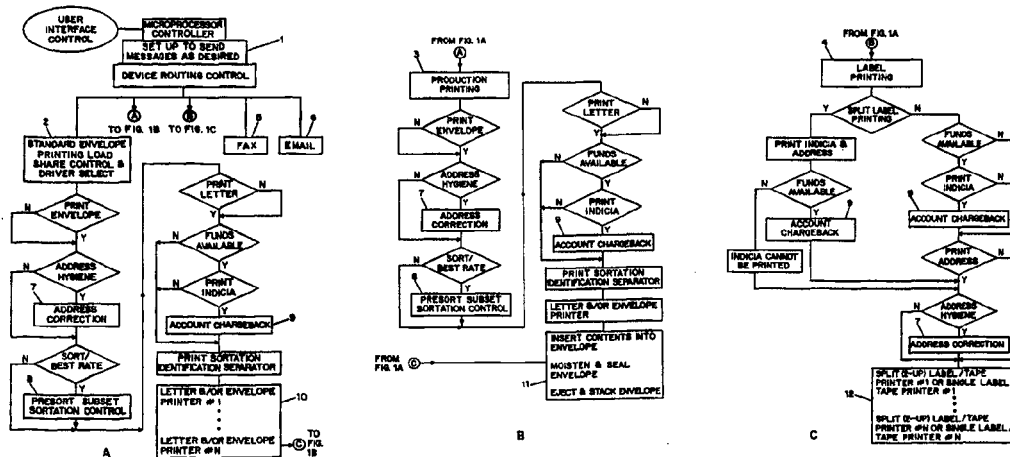




INTERNATIONAL APPLICATION PUBLISHED UNDER THE PATENT COOPERATION TREATY (PCT)

<p>(51) International Patent Classification ⁶ : G07B 17/00</p>	<p>A1</p>	<p>(11) International Publication Number: WO 99/48054 (43) International Publication Date: 23 September 1999 (23.09.99)</p>
<p>(21) International Application Number: PCT/US99/05893 (22) International Filing Date: 18 March 1999 (18.03.99) (30) Priority Data: 60/078,487 18 March 1998 (18.03.98) US (71) Applicant (for all designated States except US): ASCOM HASLER MAILING SYSTEMS INC. [US/US]; 19 Forest Parkway, Shelton, CT 06484-6140 (US). (72) Inventors; and (75) Inventors/Applicants (for US only): BROOKNER, George [US/US]; 11 Surrey Drive, Norwalk, CT 06851 (US). SCHWARTZ, Robert, G. [US/US]; 191 Linden Avenue, Branford, CT 06405 (US). (74) Agents: OPPEDAHL, Carl et al.; Oppedahl & Larson, P.O. Box 5270, Frisco, CO 80443-5270 (US).</p>		<p>(81) Designated States: CA, JP, US, European patent (AT, BE, CH, CY, DE, DK, ES, FI, FR, GB, GR, IE, IT, LU, MC, NL, PT, SE). Published <i>With international search report.</i></p>

(54) Title: SYSTEM AND METHOD FOR MANAGEMENT OF CORRESPONDENCE



(57) Abstract

In the system of the invention, a user provides inputs at a user interface (51). The user's inputs relate to the expected type of delivery (2, 3, 4, 5, 6). Alternatively, the system may already have information stored as to the type of delivery (2, 3, 4, 5, 6) to be used with particular correspondents. Based on the type of delivery (2, 3, 4, 5, 6), the system (50, 51, 52, 53, 54, 55) determines for each item of correspondence, whether the delivery will be by physical delivery of a printed document (2, 3, 4), by fax (5) or by e-mail (6). The system (50, 51, 52, 53, 54, 55) further determines for each item of correspondence, which is to be delivered by physical delivery a printed document (2, 3, 4), whether an envelope (10, 11) is required and if the address information is to be printed on the envelope or on a label (12) that is to be applied to the envelope. Further in the case of an item of correspondence, which is to be delivered by physical delivery a postage indicia is printed on the envelope or on a label (12) that is to be applied to the envelope. If the system (50, 51, 52, 53, 54, 55) determines for an item of correspondence that the delivery will be by fax (5), then the correspondence is sent using fax (55). If the system (50, 51, 52, 53, 54, 55) determines for an item of correspondence that the delivery will be by e-mail (6), then the correspondence is sent using SMTP server (54).

FOR THE PURPOSES OF INFORMATION ONLY

Codes used to identify States party to the PCT on the front pages of pamphlets publishing international applications under the PCT.

AL	Albania	ES	Spain	LS	Lesotho	SI	Slovenia
AM	Armenia	FI	Finland	LT	Lithuania	SK	Slovakia
AT	Austria	FR	France	LU	Luxembourg	SN	Senegal
AU	Australia	GA	Gabon	LV	Latvia	SZ	Swaziland
AZ	Azerbaijan	GB	United Kingdom	MC	Monaco	TD	Chad
BA	Bosnia and Herzegovina	GE	Georgia	MD	Republic of Moldova	TG	Togo
BB	Barbados	GH	Ghana	MG	Madagascar	TJ	Tajikistan
BE	Belgium	GN	Guinea	MK	The former Yugoslav Republic of Macedonia	TM	Turkmenistan
BF	Burkina Faso	GR	Greece	ML	Mali	TR	Turkey
BG	Bulgaria	HU	Hungary	MN	Mongolia	TT	Trinidad and Tobago
BJ	Benin	IE	Ireland	MR	Mauritania	UA	Ukraine
BR	Brazil	IL	Israel	MW	Malawi	UG	Uganda
BY	Belarus	IS	Iceland	MX	Mexico	US	United States of America
CA	Canada	IT	Italy	NE	Niger	UZ	Uzbekistan
CF	Central African Republic	JP	Japan	NL	Netherlands	VN	Viet Nam
CG	Congo	KE	Kenya	NO	Norway	YU	Yugoslavia
CH	Switzerland	KG	Kyrgyzstan	NZ	New Zealand	ZW	Zimbabwe
CI	Côte d'Ivoire	KP	Democratic People's Republic of Korea	PL	Poland		
CM	Cameroon	KR	Republic of Korea	PT	Portugal		
CN	China	KZ	Kazakstan	RO	Romania		
CU	Cuba	LC	Saint Lucia	RU	Russian Federation		
CZ	Czech Republic	LI	Liechtenstein	SD	Sudan		
DE	Germany	LK	Sri Lanka	SE	Sweden		
DK	Denmark	LR	Liberia	SG	Singapore		
EE	Estonia						

System and method for management of correspondence

The invention relates generally to postage meters (franking machines), and relates particularly to systems in which items of correspondence are to be dispatched by any of several different means. The application claims priority from US application no. 60/078,487, filed March 18,
5 1998, which application is incorporated herein by reference to the extent permitted by the designated and elected States hereto.

Background

It has been well known for many decades to use a postage meter which has within a secure housing an accounting means and a printing means. The accounting means includes an
10 ascending register indicative of postage that has been printed, and typically a piece counter indicative of the number of mail pieces that have been printed. In many countries including the United States, the accounting means also includes a descending register indicative of the amount of postage value available to be printed. The printing means is used to print postage indicia on mail pieces, typically by a relief printing die with characteristic fluorescent ink.

15 Such postage meters have worked exceedingly well for decades and have proven to be reliable. While it is technically possible to print postal indicia for which no money has been paid to the post office, such fraud is relatively infrequent because it would be readily detectable through physical inspection of the meter for tampering.

The postage meter saves the postal authority from much of the work of printing, stocking and
20 selling postage stamps. When postal rates change, the postage meter user can simply print the new postal amount, while the stamp user must queue up at the post office to purchase stamps in the new denomination.

In recent years it has been proposed to print postal indicia by means of conventional
25 nonsecure printers such as laser printers, ink-jet printers, and thermal transfer printers. Such printers are termed "nonsecure" because the printer itself is not in a secure housing and because the communications channel linking the printer to other apparatus is nonsecure.

Under such a proposal, the question naturally arises what would prevent a user from printing the same postal indicium repeatedly, thereby printing postal indicia for which no money has been paid to the post office. The proposed anti-fraud measure is to store information within the indicia which would permit detecting fraud. The indicium would include not only
5 human-readable text such as a date and a postage amount, but would also include machine-readable information, for example by means of a two-dimensional bar code. The machine-readable information would be cryptographically signed, and would include within it some information intended to make fraud more difficult. The information would typically include
10 an identification of the postage meter license (granted by the meter manufacturer or by the postal authorities, depending on the country), an indication of the number of mail pieces franked, the postage amount, a postal security device identifier about which more will be said later, the date and time, and a zip code or post code of the mail piece addressee.

There are, of course, many potential drawbacks to such an approach for printing of postal indicia. A user who intends to defraud the postal service might use a bar-code reader to read
15 the contents of the indicium. (This capability illustrates the pointlessness of trying to give physical security to the printing means or of the communications channel by which the printing means is controlled.) The contents of the bar code could be used to print identical or nearly identical indicia, perhaps at a geographic distance. It would then fall to the postal service to perform an analysis on all or nearly all of the indicia scanned on a particular day, to
20 try to identify duplicates.

Yet another drawback is that it is commonplace for a mail piece to get smudged on the way to the post office or within the post office, prior to the authentication scanning by the post office. If the post office is unable to read the bar code, the post office has to decide whether
25 to return the mail piece to the sender, or risk delivering a mail piece bearing a counterfeit indicium.

The typical apparatus for printing such "encrypted indicia" postage includes what is called a postal security device or PSD. The PSD has a secure housing, and within the secure housing are the accounting registers as well as a cryptographic engine. The engine permits

cryptographic authentication and signing for communication with an external device such as the computer of the meter manufacturer or of the post office. The engine also permits creation of postal indicia which contain specified information and which are cryptographically signed. The PSD may well be physically small as compared to traditional postage meters. The PSD may be the size of a PCMCIA card or the size of a smart card.

Within the PSD the memory must be protected against inadvertent damage due to malfunction of the processor of the PSD, for example as set forth in US Pat. No. 5668973, *Protection system for critical memory information* owned by the same assignee as the assignee of the present application. The PSD must handle power failure in a graceful fashion, for example as set forth in US Pat. No. 5712542, *Postage meter with improved handling of power failure*, also owned by the same assignee as the assignee of the present application.

To reduce smudging, the printer may preferably be that described in PCT publication no. 97-46389, *Printing apparatus*, also owned by the same assignee as the assignee of the present application. While it has been proposed that the PSD contain a real-time clock which is keeping time continuously, desirably this requirement may be avoided as described in PCT publication no. 98-08325, *Printing postage with cryptographic clocking security*, also owned by the same assignee as the assignee of the present application. PSDs can form part of a network with multiple printers as described in PCT publication no. 98-13790, *Proof of postage digital franking*, also owned by the same assignee as the assignee of the present application.

It has become commonplace in recent years to correspond by a variety of different means, for example by means of printed documents that are physically delivered, by means of fax, and by means of email. Among physically delivered documents there are documents sent in envelopes bearing addresses printed thereon, and documents sent in envelopes or packages that are addressed by means of adhesive labels.

It would be advantageous to have a system with great flexibility to accommodate a number deliver methods.

Summary of the invention

In the system of the invention, a user provides inputs at a user interface. The user's inputs relate to the expected type of delivery. Alternatively the system may already have information stored as to the type of delivery to be used with particular correspondents. The system handles a sequence of items of correspondence. For each item it is determined whether the delivery will be by physical delivery of a printed document, by fax, or by email. Furthermore, it is determined whether a printed document will be enclosed in an envelope upon which an address is to be printed, or whether it will be enclosed in an envelope or package which receives printed address labels. In the case of physically delivered items, the system also generates a postal indicium which is either printed on an envelope or on a label to be placed on an envelope.

Description of the drawing

The invention will be described with respect to a drawing, of which:

Fig. 1 shows a flow chart depicting handling of correspondence in keeping with the invention; and

Fig. 2 is a functional block diagram of the system.

Detailed description

The system according to the invention is typified by a personal computer 50, shown in Fig. 2. The personal computer 50 receives, or has stored within it, information about a number of items of correspondence to be sent, all omitted for clarity in Fig. 2. The computer 50 has at least one printer 53, and preferably has more than one printer, one optimized for printing on paper sheets, and another optimized for printing on label stock and envelopes. The computer 50 has a postal security device 52, as discussed above. The postal security device 52 has nonvolatile memory and a cryptographic engine, and under stored program control it is able to generate digitally printed postal indicia which will be accepted by the postal authorities for payment of postage. The indicia are printed on the printer 53. In addition, the computer 50

has connected with it, or includes, a Simple Mail Transport Protocol(SMTP) server 54, and a fax server or fax modem 55. The user controls the computer 50 through a user interface 51.

As described in Fig. 1, there is a user interface. This may be a keyboard, a touch screen, or other user input device. The computer 50 handles input requests, formulates desired outputs, and manages the system with respect to configuration parameters such as departmental charge-backs. The data routing can take a document-printing path 2, a high-volume production printing path 3, a label printing path 4, a fax path 5, and an email path 6. In the case of an item of correspondence needing a postal delivery address, it is desired to check the address hygiene as at box 7 and to correct the address accordingly. In the case of an organization that charges back postage charges by departmental or other accounts, then chargeback is done for example in box 9. Many mail types, including business and personal envelopes, are eligible for discounts if the correspondence is presorted, so presort and bundling information is generated in boxes 8. In the case of an item of correspondence that is intended for an envelope with a printed address, the correspondence and envelope may be typed in box 10. Preferably a number of moderate-capacity printers are employed so that if one breaks, the load may be distributed among other printers.

In the case of high-volume production printing, the path of block 3 is followed. If necessary, the mail piece is inserted into an envelope and sealed in block 11.

In the case of a fax message, the path of block 5 is followed. The computer 50 passes the correspondence to a fax modem, or to a fax server 55, which may be integral with the computer 50 or may be separate from it. The correspondence is sent by fax.

In the case of an email message, the path of block 6 is followed. The computer 50 passes the correspondence to a simple mail transport protocol server 54, which may be integral with the computer 50 or may be separate from it. The correspondence is sent by email over a TCP/IP link, omitted for clarity in Fig. 2.

One of the chief drawbacks of the cryptographically signed postal indicium is that the postal

service may require that the indicium be based in part on a Zip code or post code of the associated mail piece. This leads to great difficulty in the event that an indicium and its associated addressed envelope or package become mismatched. The postal authorities will assume that the sender is engaged in mail fraud, for example trying to use a single indicium
5 more than once on more than one mail piece. Thus it is highly desirable to set up the system so that if it is printing labels, it will not merely print postal indicia labels, but will also print the delivery address on a label. The address and postage labels are desirably printed “two-up”, side by side or adjacent in the label printer. This permits automated equipment, or a human user, to place the two labels on a mail piece (e.g. an envelope or package) at about the
10 same time, thus reducing the likelihood of a mismatch.

Stated differently, the invention comprises a system for management of correspondence, comprising a processor 50 having a user interface 51, said processor 50 communicatively coupled with a printer 53, said printer disposed to print adhesive labels, said processor 50 also communicatively coupled with a fax modem 55, said processor also communicatively
15 coupled with a simple mail transport protocol server 54; said system further comprising means receiving information indicative of items of correspondence to be delivered, the information regarding each item further indicative of at least one means of delivery for said item; said system further comprising means responsive to the information indicative of the at least one means of delivery for causing transmission by fax via the fax modem 55 in the event
20 that the information indicative of the at least one means of delivery indicates fax, for causing transmission by email via the simple mail transport protocol server 54 in the event that the information indicative of the at least one means of delivery indicates email, and in the event that the information indicative of the at least one means of delivery indicates mail requiring labels, causing the postal security device 52 to generate a postage indicium, and causing the
25 printer 53 to print the postage indicium on a label. Optionally, in the event that the information indicative of the at least one means of delivery indicates mail requiring labels, the system prints an address label responsive to the information indicative of the item to be delivered, along with the label bearing the postage indicium.

Those skilled in the art will have no difficulty devising obvious enhancements and

improvements to the invention, all of which are meant to be encompassed within the invention, as defined by the claims that follow.

Claims

1. A system for management of correspondence, comprising a processor having a user interface, said processor communicatively coupled with a printer, said printer disposed to print adhesive labels, said processor also communicatively coupled with a fax modem, said processor also communicatively coupled with a simple mail transport protocol server; said system further comprising means receiving information indicative of items of correspondence to be delivered, the information regarding each item further indicative of at least one means of delivery for said item; said system further comprising means responsive to the information indicative of the at least one means of delivery for causing transmission by fax via the fax modem in the event that the information indicative of the at least one means of delivery indicates fax, for causing transmission by email via the simple mail transport protocol server in the event that the information indicative of the at least one means of delivery indicates email, and in the event that the information indicative of the at least one means of delivery indicates mail requiring labels, causing the postal security device to generate a postage indicium, and causing the printer to print the postage indicium on a label.
2. The system of claim 1 wherein in the event that the information indicative of the at least one means of delivery indicates mail requiring labels, the system prints an address label responsive to the information indicative of the item to be delivered, along with the label bearing the postage indicium.
3. A system for management of correspondence, comprising a processor having a user interface, said processor communicatively coupled with a printer, said processor also communicatively coupled with a fax modem, said processor also communicatively coupled with a simple mail transport protocol server; said system further comprising means receiving information indicative of items of correspondence to be delivered, the information regarding each item further indicative of at least one means of delivery for said item; said system further comprising means responsive to the information indicative of the at least one means of delivery for causing transmission by fax via the fax modem in the event that the information

indicative of the at least one means of delivery indicates fax, for causing transmission by
email via the simple mail transport protocol server in the event that the information indicative
of the at least one means of delivery indicates email, and in the event that the information
indicative of the at least one means of delivery indicates mail, causing the postal security
5 device to generate a postage indicium, and causing the printer to print the postage indicium.

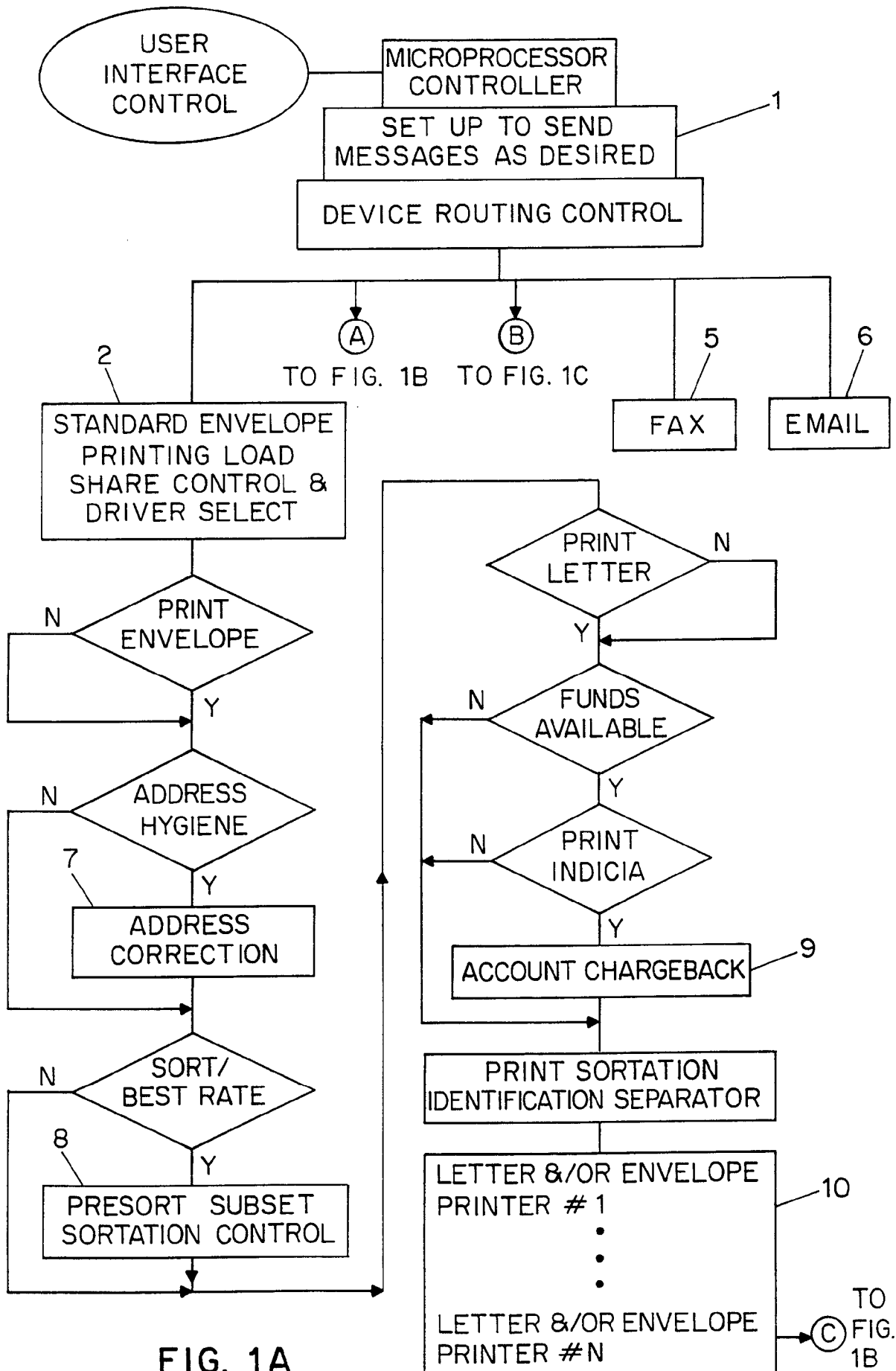


FIG. 1A

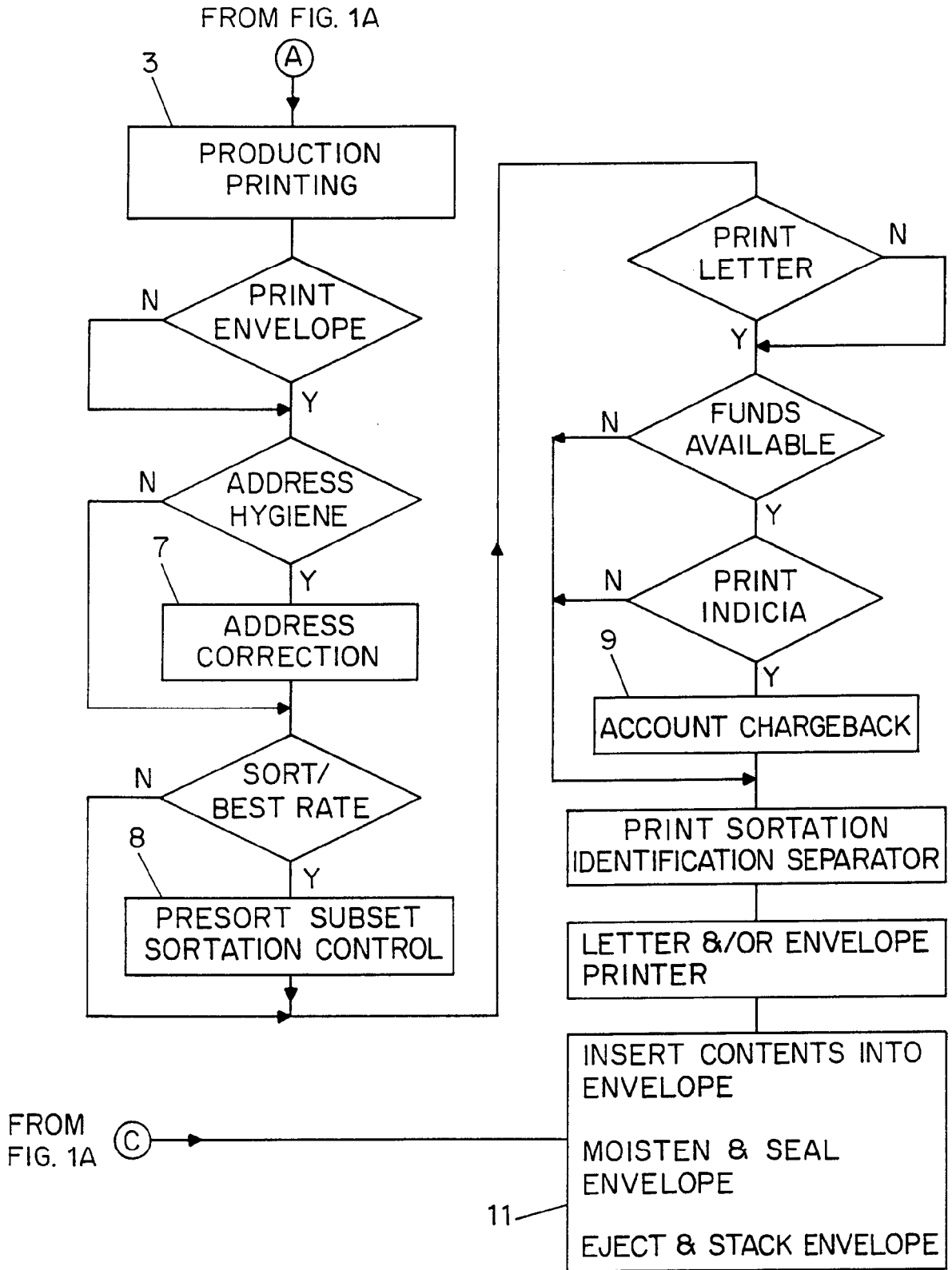


FIG. 1B

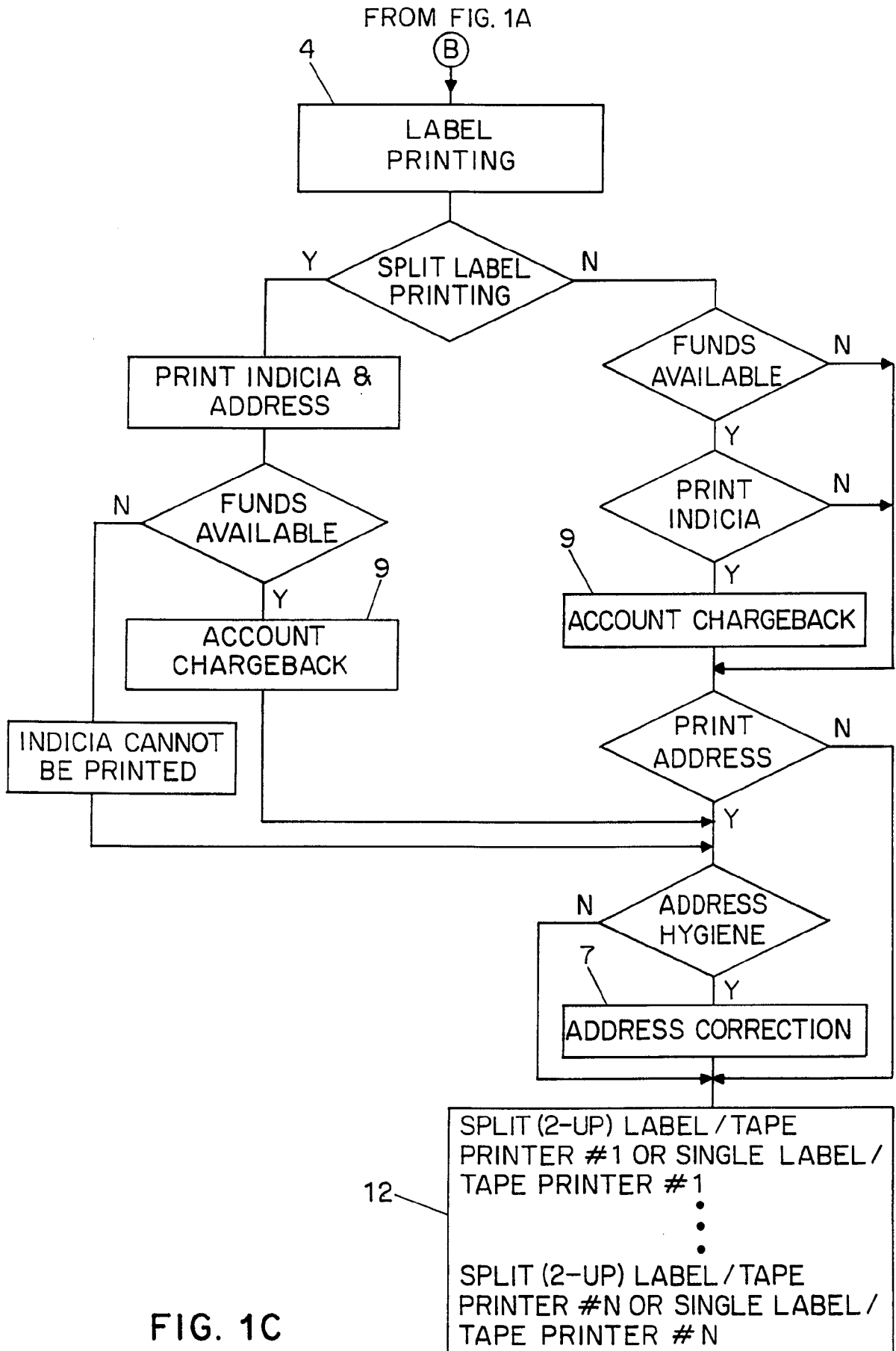


FIG. 1C

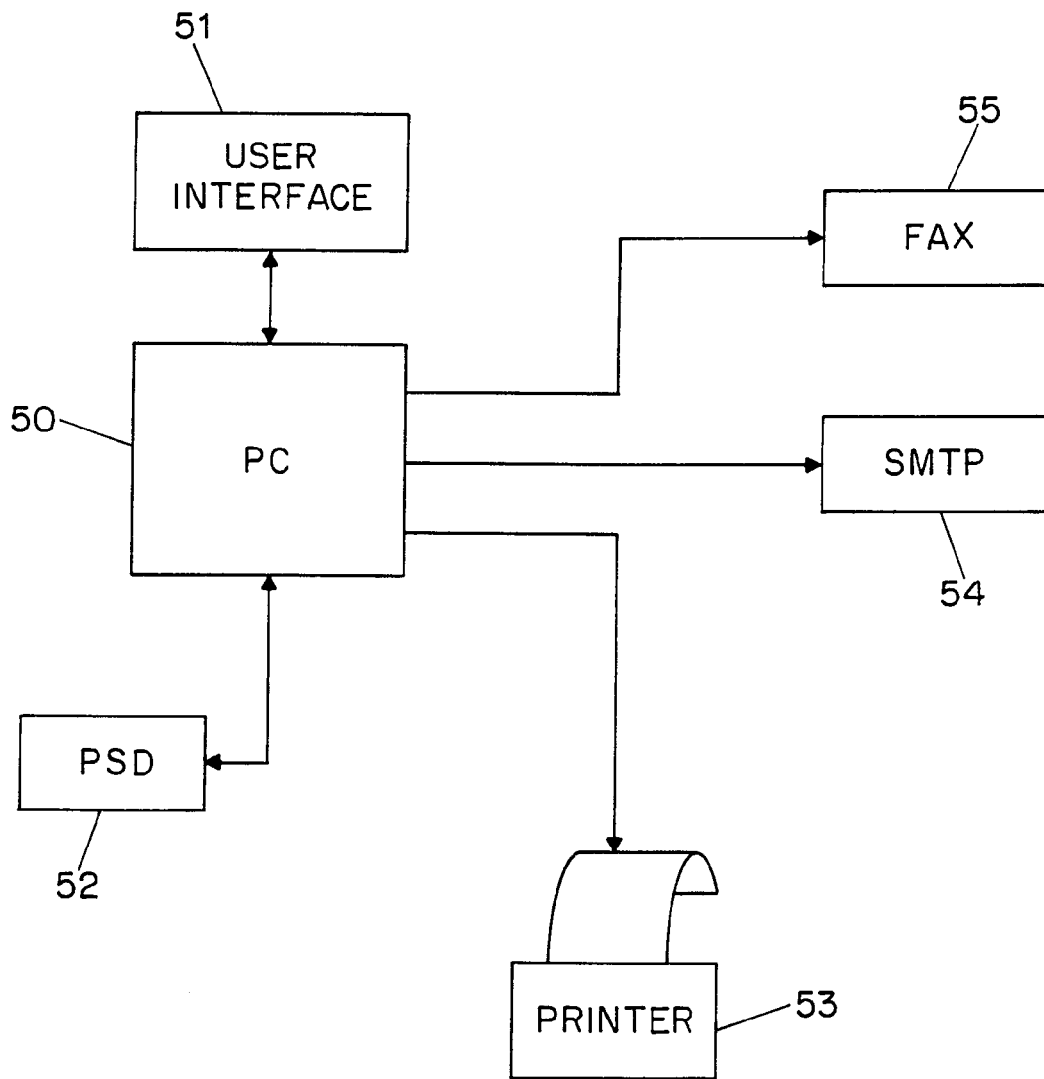


FIG. 2

INTERNATIONAL SEARCH REPORT

International application No.
PCT/US99/05893

A. CLASSIFICATION OF SUBJECT MATTER

IPC(6) : G07B 17/00
US CL : 705/410; 379/88.14; 709/206
According to International Patent Classification (IPC) or to both national classification and IPC

B. FIELDS SEARCHED

Minimum documentation searched (classification system followed by classification symbols)

U.S. : 379/88.14; 705/401, 410; 709/206

Documentation searched other than minimum documentation to the extent that such documents are included in the fields searched

None

Electronic data base consulted during the international search (name of data base and, where practicable, search terms used)

None

C. DOCUMENTS CONSIDERED TO BE RELEVANT

Category*	Citation of document, with indication, where appropriate, of the relevant passages	Relevant to claim No.
A	US 5,530,740 A (IRRIBARREN et al) 25 June 1996, see abstract.	1-3
A	US 5,568,536 A (TILLER et al) 22 October 1996, see abstract.	1-3
A	US 5,668,973 A (STUTZ et al) 16 September 1997, document cited by applicant.	1-3
A	WO 97/46389 A1 (WILLIS et al) 11 December 1997, document cited by applicant.	1-3
A	US 5,712,542 A (STUTZ et al) 27 January 1998, document cited by applicant.	1-3

Further documents are listed in the continuation of Box C. See patent family annex.

<p>* Special categories of cited documents</p> <p>"A" document defining the general state of the art which is not considered to be of particular relevance</p> <p>"E" earlier document published on or after the international filing date</p> <p>"L" document which may throw doubts on priority claim(s) or which is cited to establish the publication date of another citation or other special reason (as specified)</p> <p>"O" document referring to an oral disclosure, use, exhibition or other means</p> <p>"P" document published prior to the international filing date but later than the priority date claimed</p>	<p>"T" later document published after the international filing date or priority date and not in conflict with the application but cited to understand the principle or theory underlying the invention</p> <p>"X" document of particular relevance; the claimed invention cannot be considered novel or cannot be considered to involve an inventive step when the document is taken alone</p> <p>"Y" document of particular relevance; the claimed invention cannot be considered to involve an inventive step when the document is combined with one or more other such documents, such combination being obvious to a person skilled in the art</p> <p>"&" document member of the same patent family</p>
---	---

Date of the actual completion of the international search	Date of mailing of the international search report
16 JUNE 1999	01 JUL 1999

Name and mailing address of the ISA/US Commissioner of Patents and Trademarks Box PCT Washington, D.C. 20231 Facsimile No. (703) 305-3230	Authorized officer <i>for Edward R Cosimano</i> EDWARD R COSIMANO Telephone No. (703) 308-9783
---	--

INTERNATIONAL SEARCH REPORTInternational application No.
PCT/US99/05893

Continuation DOCUMENTS CONSIDERED TO BE RELEVANT

Category*	Citation of document, with indication, where appropriate, of the relevant passages	Relevant to claim No.
A	WO 98/08325 A1 (BROOKNER et al) 26 February 1998, document cited by applicant.	1-3
A, P	WO 98/13790 A1 (BROOKNER et al) 02 April 1998, document cited by applicant.	1-3
A, P	US 5,737,395 A (IRRIBARREN) 07 April 1998, see abstract.	1-3
A, P	US 5,838,768 A (SUMAR et al) 17 November 1998, see abstract.	1-3
A, P	US 5,881,233 A (TOYODA et al) 09 March 1999, see abstract.	1-3