



US00D592939S

(12) **United States Design Patent**
Kelleghan

(10) **Patent No.:** **US D592,939 S**
(45) **Date of Patent:** **** May 26, 2009**

(54) **CIRCLE CARABINER WITH ATTACHMENT SLOT**

FOREIGN PATENT DOCUMENTS

FR 2701402 2/1993

(75) Inventor: **Brian James Kelleghan**, Longmont, CO (US)

(Continued)

(73) Assignee: **Bison Designs, LLC**, Longmont, CO (US)

OTHER PUBLICATIONS

Figure 8, Scan of website showing prior art carabiner sold by Trango.

(**) Term: **14 Years**

Primary Examiner—T. Chase Nelson

Assistant Examiner—Karen Acker

(21) Appl. No.: **29/325,172**

(74) *Attorney, Agent, or Firm*—Margaret Polson; Polson & Associates, PC

(22) Filed: **Sep. 26, 2008**

(57) **CLAIM**

Related U.S. Application Data

The ornamental design for a circle carabiner with attachment slot, as shown and described.

(62) Division of application No. 29/302,639, filed on Jan. 21, 2008.

DESCRIPTION

(51) **LOC (9) Cl.** **08-05**

FIG. 1 is a top or bottom plan view, each of which is a mirror image, of my new design for a circle carabiner with attachment slot.

(52) **U.S. Cl.** **D8/356**

(58) **Field of Classification Search** D8/105, D8/107, 333, 349, 354, 356, 358, 360, 360.1, D8/367, 373, 382, 383, 394–396, 400; D11/200, D11/211; D23/261; 24/573.11, 576.1, 588.1, 24/592.1, 592.2, 598.3, 599.1, 599.5, 599.6, 24/599.9, 600.1; 294/82.19, 82.2; D5/54, D5/58, 59

FIG. 2 is a right side elevation view of FIG. 1.

FIG. 3 is a left side elevation view of FIG. 1.

FIG. 4 is a front side elevation view of FIG. 1.

FIG. 5 is a rear side elevation view of FIG. 1.

FIG. 6 is a top perspective view of FIG. 1.

See application file for complete search history.

FIG. 7 is a top or bottom plan view, each of which is a mirror image, of an alternate embodiment of my circle carabiner with attachment slot.

FIG. 8 is a right side elevation view of FIG. 7.

FIG. 9 is a left side elevation view of FIG. 7.

FIG. 10 is a front side elevation view of FIG. 7.

FIG. 11 is a rear side elevation view of FIG. 7; and,

FIG. 12 is a top perspective view of FIG. 7.

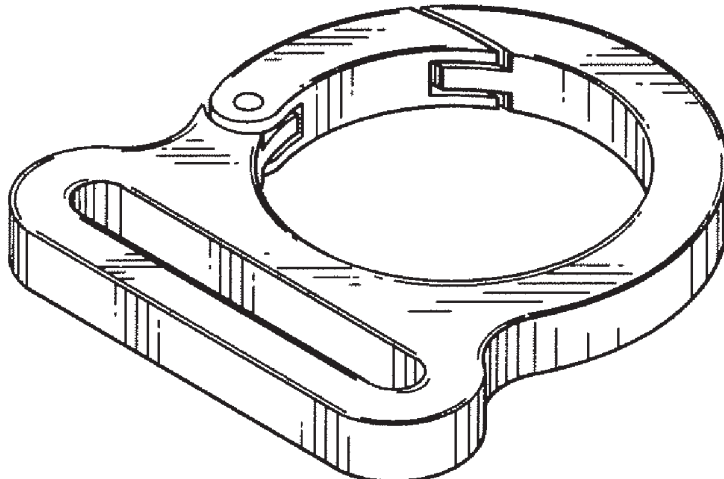
(56) **References Cited**

U.S. PATENT DOCUMENTS

48,275 A	6/1865	Hamilton
114,459 A	5/1871	Meyer
267,112 A	11/1882	Sanderson
297,498 A	4/1884	Carpenter
453,585 A	6/1891	Mott
D32,654 S	5/1900	Kroder

(Continued)

1 Claim, 2 Drawing Sheets



US D592,939 S

Page 2

U.S. PATENT DOCUMENTS

805,575 A 11/1905 Morden
 812,458 A 2/1906 See
 841,706 A 1/1907 Morden
 1,209,083 A 12/1916 Wagner, Jr.
 1,219,871 A 3/1917 Sapo
 1,253,647 A 1/1918 Torrey
 1,399,207 A 12/1921 Goozey
 2,828,900 A 4/1958 Le Roy
 4,277,434 A * 7/1981 Conway 264/297.2
 4,763,490 A * 8/1988 Bruner 63/15.7
 4,951,361 A * 8/1990 Stephens, Jr. 24/3.6
 D317,177 S 5/1991 Wandenberg-Boschetti
 5,367,742 A * 11/1994 Bindman 16/87.2
 D355,583 S 2/1995 Beauchane
 5,544,511 A * 8/1996 Cavaleri 70/457
 5,613,656 A 3/1997 Protz, Jr.
 5,996,191 A 12/1999 Christler
 D430,204 S 8/2000 Berracasa
 6,125,657 A 10/2000 Esposito
 D441,638 S 5/2001 Kelleghan
 D454,054 S 3/2002 Kelleghan
 D455,642 S 4/2002 Kelleghan
 D456,693 S 5/2002 Kelleghan
 D458,533 S 6/2002 Sonju
 D461,312 S 8/2002 Proot et al.
 D465,993 S 11/2002 Kelleghan
 D465,995 S 11/2002 Kelleghan
 D466,791 S 12/2002 Kelleghan
 D467,156 S 12/2002 Bishop
 D467,157 S 12/2002 Kelleghan
 D475,276 S * 6/2003 Kelleghan D8/356
 D475,603 S * 6/2003 Kelleghan D8/356
 D475,604 S 6/2003 Kelleghan
 D480,841 S 10/2003 Bird
 D488,371 S 4/2004 Shaljian

D492,188 S 6/2004 Goldberg
 6,843,072 B1 * 1/2005 Lau 63/12
 D505,847 S 6/2005 Kelleghan
 D508,523 S * 8/2005 Goldberg D19/36
 D513,698 S 1/2006 Murphy et al.
 D518,360 S 4/2006 Kelleghan
 D519,010 S 4/2006 Oas
 D523,328 S 6/2006 Ramos
 D525,168 S * 7/2006 Pontaoe D11/208
 D533,050 S 12/2006 Kelleghan
 D543,440 S 5/2007 Plzak
 D548,057 S 8/2007 Kelleghan
 7,296,352 B2 * 11/2007 Alulis et al. 29/896.42
 7,296,609 B2 * 11/2007 Zahner 160/330
 D564,341 S 3/2008 Kelleghan
 D564,869 S * 3/2008 Peterson D8/382
 7,347,065 B1 * 3/2008 DeGolyer 63/7
 D568,127 S * 5/2008 Oas D8/34
 D570,420 S * 6/2008 Brookins D21/370
 7,426,905 B2 * 9/2008 Honeycutt 119/795
 2004/0149516 A1 8/2004 Kwak et al.
 2007/0213186 A1 * 9/2007 Longo 482/121
 2008/0016659 A1 * 1/2008 Peterson 24/599.1
 2008/0041851 A1 * 2/2008 Thrapp 220/229
 2008/0185409 A1 * 8/2008 Kellenberger 224/257
 2008/0302311 A1 * 12/2008 Blocker 119/769
 2008/0306496 A1 * 12/2008 Regner 606/151

FOREIGN PATENT DOCUMENTS

FR 2706314 6/1993
 FR 2832068 11/2001
 JP 2003287170 A * 10/2003
 JP 2008232154 A * 10/2008
 WO WO-2007106754 A2 * 9/2007

* cited by examiner



FIG. 4



FIG. 2

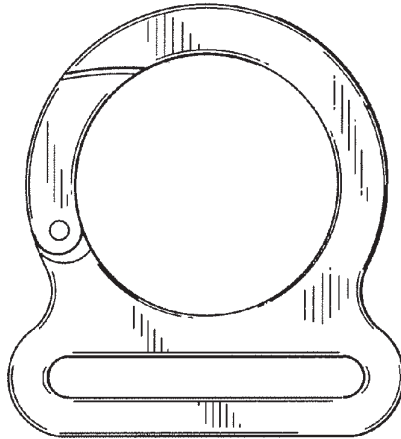


FIG. 1



FIG. 3

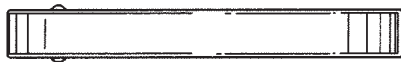


FIG. 5

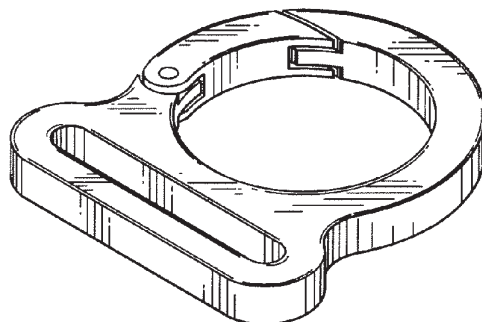


FIG. 6



FIG. 10

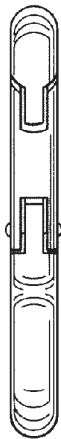


FIG. 8

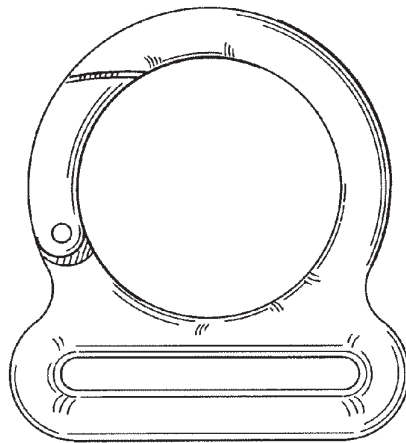


FIG. 7



FIG. 9



FIG. 11

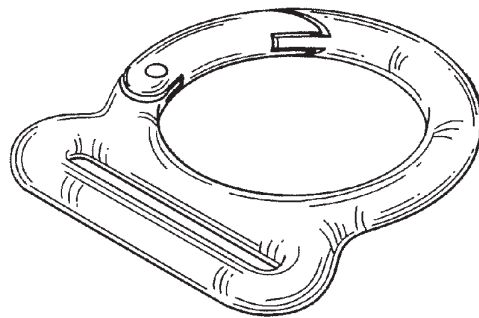


FIG. 12