



US00D592901S

(12) **United States Design Patent**
Speh

(10) **Patent No.:** **US D592,901 S**
(45) **Date of Patent:** **** May 26, 2009**

- (54) **COFFEE MACHINE**
- (75) Inventor: **Christoph Speh**, Mülheim an der Ruhr (DE)
- (73) Assignee: **WIK Far East, Ltd.**, North Point, Hong Kong (CN)
- (**) Term: **14 Years**

D486,346 S	2/2004	Jonsson	
D495,189 S	8/2004	Cahen	
D505,821 S *	6/2005	Liebe et al.	D7/305
6,901,846 B2 *	6/2005	Ruckstuhl	99/287
D520,300 S *	5/2006	Bruttin	D7/309
D528,845 S	9/2006	Zimmermann	
D552,915 S *	10/2007	Yeh	D7/309
D562,617 S *	2/2008	Liebe	D7/309
D563,143 S *	3/2008	Tonelli	D7/306
2004/0118296 A1 *	6/2004	Ruckstuhl	99/279

(21) Appl. No.: **29/320,114**

OTHER PUBLICATIONS

(22) Filed: **Jun. 20, 2008**

U.S. Appl. No. 29/320,722 filed Jul. 2, 2008; Inventor: Dirk Hagen Zimmermann. Copy not provided as application is available in IFW system per 37 CFR 1.98(a)(2)(iii).

Related U.S. Application Data

U.S. Appl. No. 29/320,723 filed Jul. 2, 2008; Inventor: Dirk Hagen Zimmermann. Copy not provided as application is available in IFW system per 37 CFR 1.98(a)(2)(iii).

(62) Division of application No. 29/226,067, filed on Mar. 23, 2005, now Pat. No. Des. 528,845.

* cited by examiner

- (51) **LOC (9) Cl.** **07-01**
 - (52) **U.S. Cl.** **D7/309; D7/311**
 - (58) **Field of Classification Search** **D7/300, D7/307-308, 309-311; 99/289, 284, 290, 99/279, 299, 287**
- See application file for complete search history.

Primary Examiner—Marianne Pandozzi

(74) *Attorney, Agent, or Firm*—Margaret Polson; Polson & Associates

(56) **References Cited**

(57) **CLAIM**

U.S. PATENT DOCUMENTS

The ornamental design for a coffee machine, as shown and described.

3,327,615 A	6/1967	Swan	
4,644,856 A	2/1987	Borgmann	
D360,555 S *	7/1995	Gil De Miguel	D7/309
D385,455 S	10/1997	Cortese	
D390,060 S	2/1998	Seiffert	
D396,987 S *	8/1998	Seiffert	D7/309
D400,046 S *	10/1998	Seiffert	D7/309
D413,757 S *	9/1999	Viguer Munoz	D7/309
D417,118 S *	11/1999	Pomeroy	D7/306
D424,361 S	5/2000	Kuboyama	
D444,986 S	7/2001	Smith et al.	
D449,198 S	10/2001	Cahen	
D481,580 S *	11/2003	Daniels et al.	D7/309
D481,901 S *	11/2003	Daniels et al.	D7/309
D486,345 S *	2/2004	Schwamkrug	D7/309

DESCRIPTION

FIG. 1 is a front perspective view of my new design for a coffee machine.

FIG. 2 is a front side elevation view

FIG. 3 is a back side elevation view of FIG. 1.

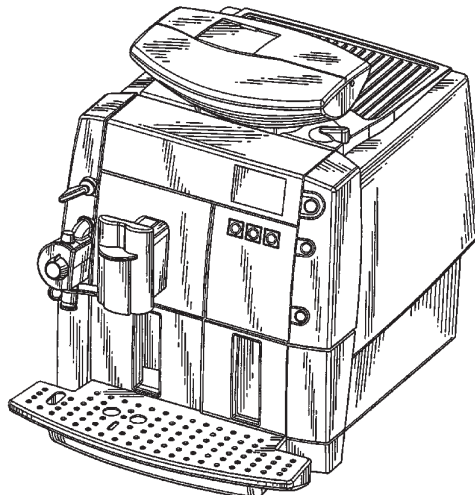
FIG. 4 is a right side elevation view of FIG. 1.

FIG. 5 is a left side elevation view of FIG. 1.

FIG. 6 is a top plan view thereof; and,

FIG. 7 is a bottom plan view thereof.

1 Claim, 5 Drawing Sheets



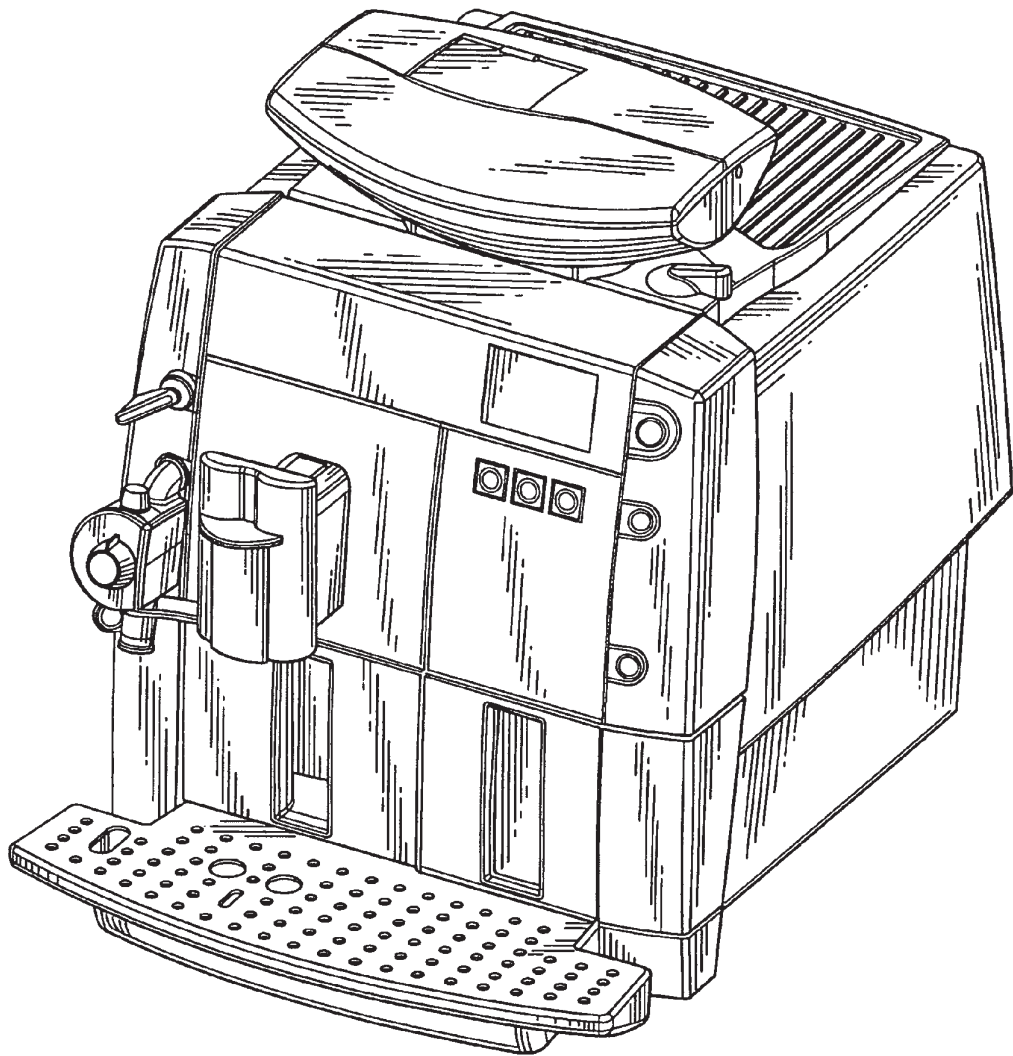


FIG.1

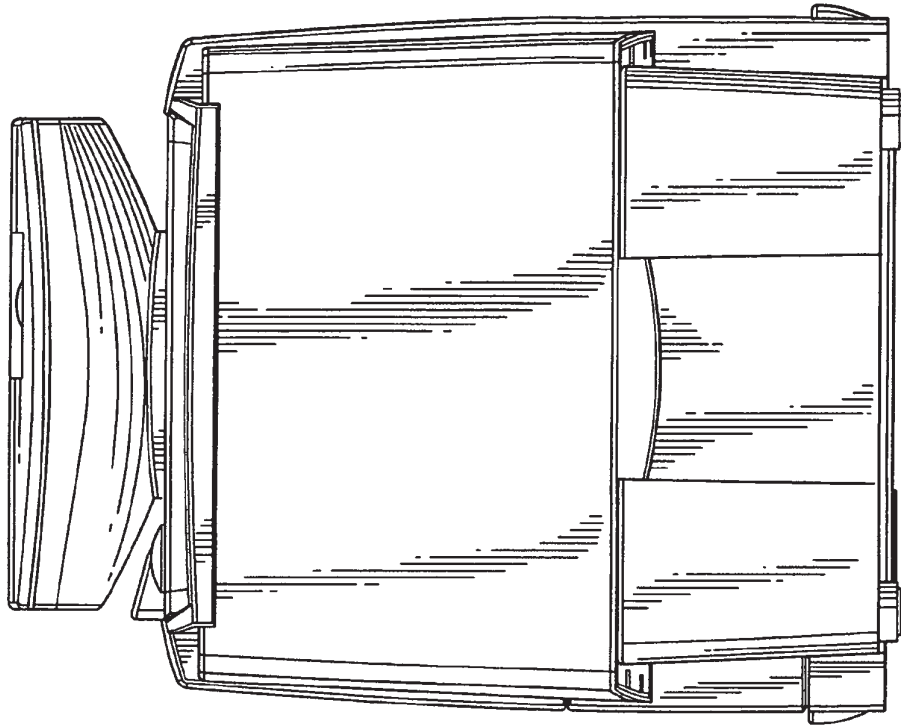


FIG.3

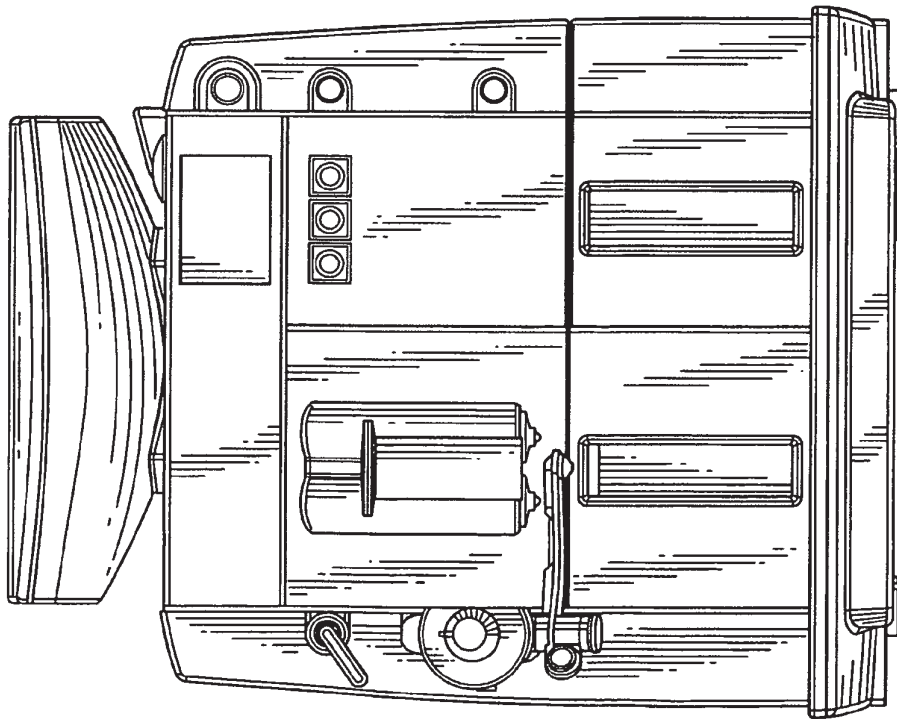


FIG.2

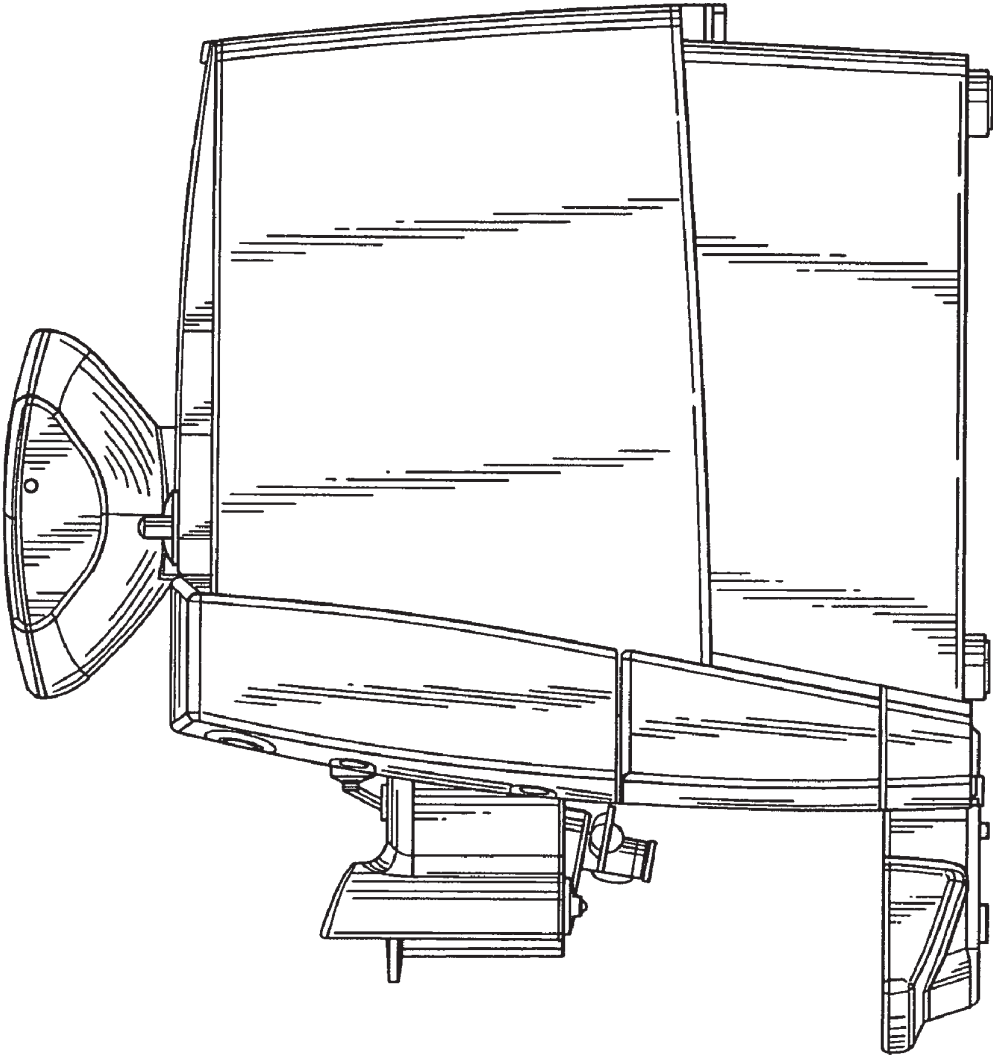


FIG.4

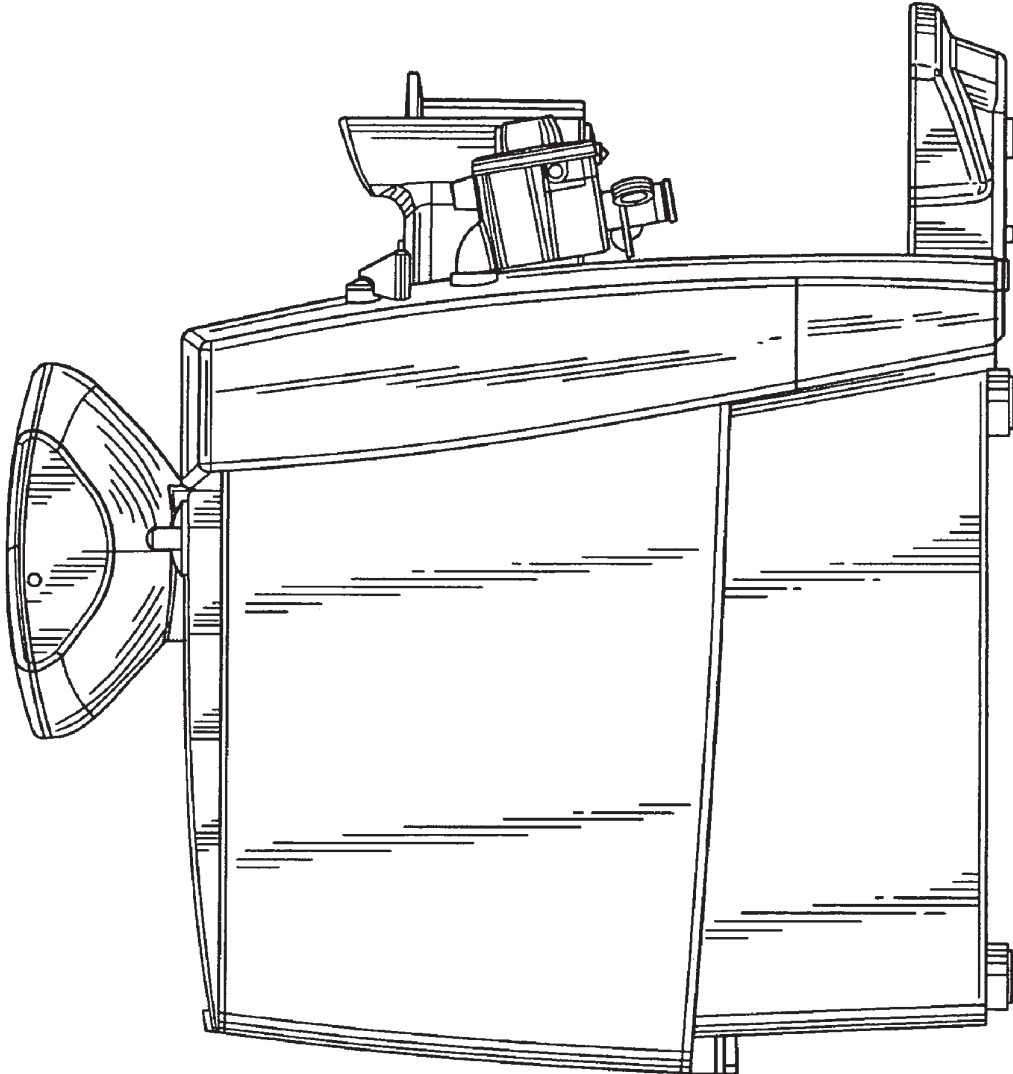


FIG.5

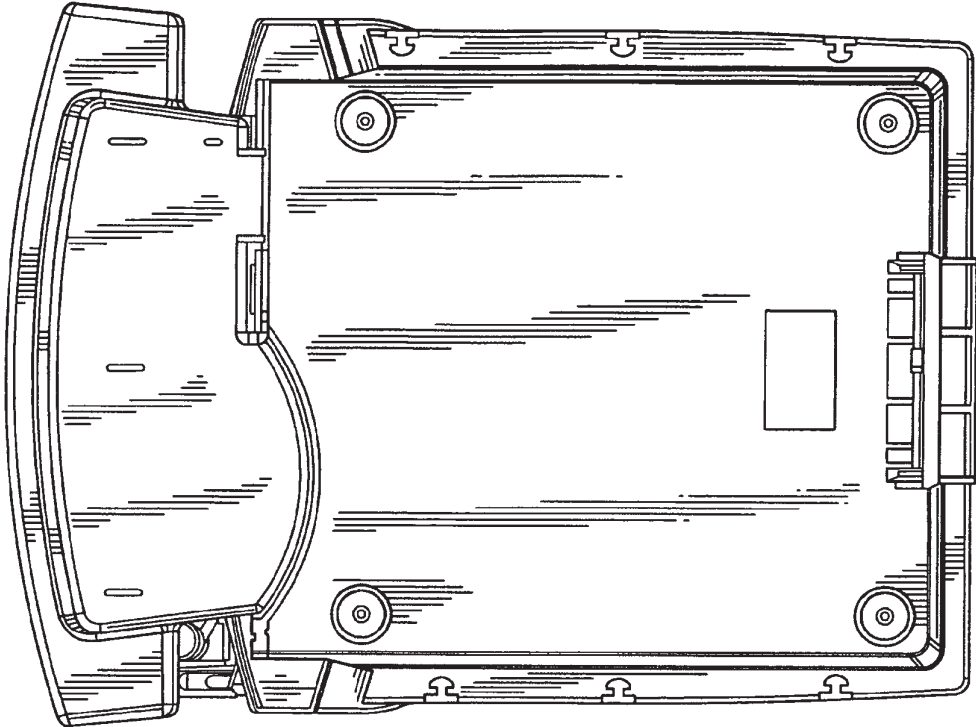


FIG. 7

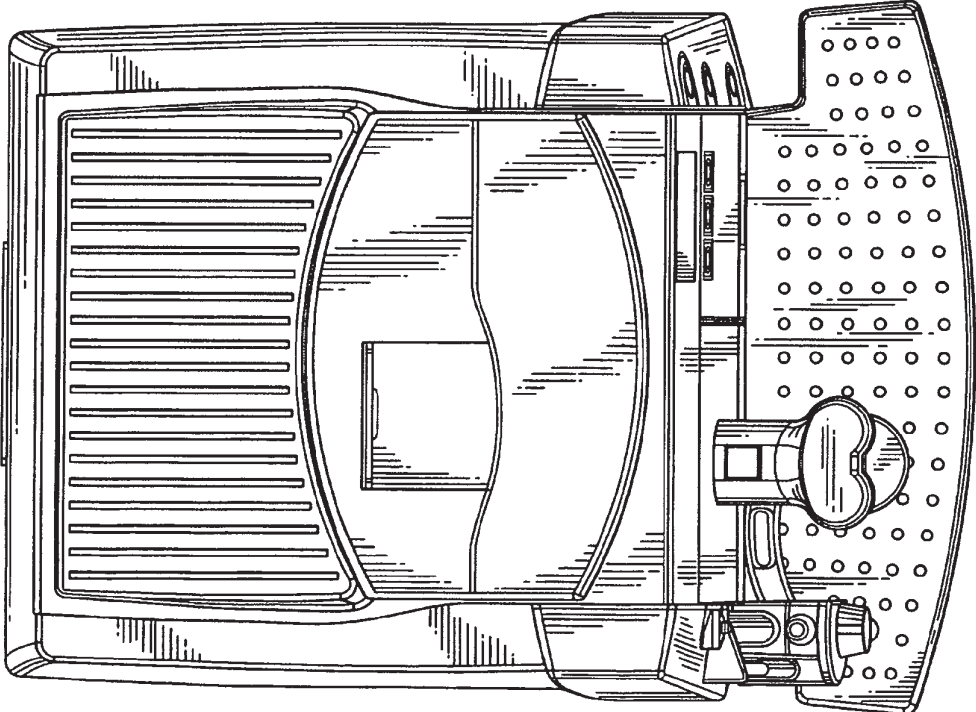


FIG. 6